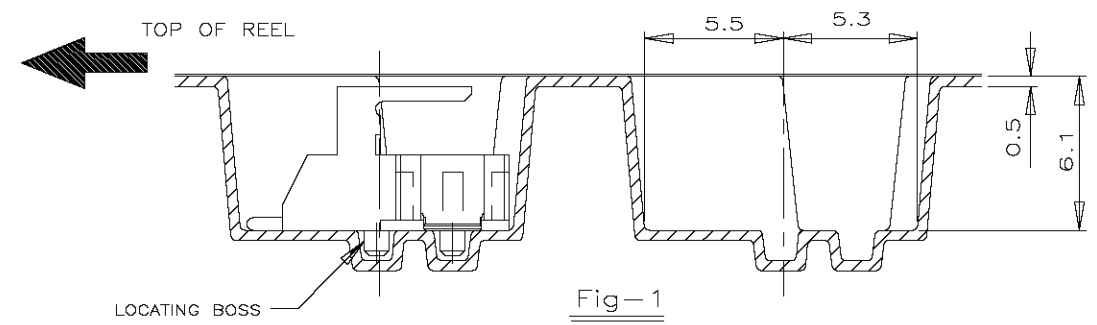
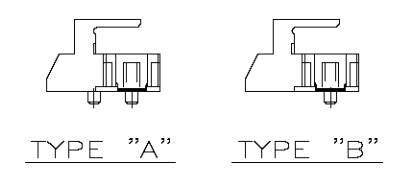


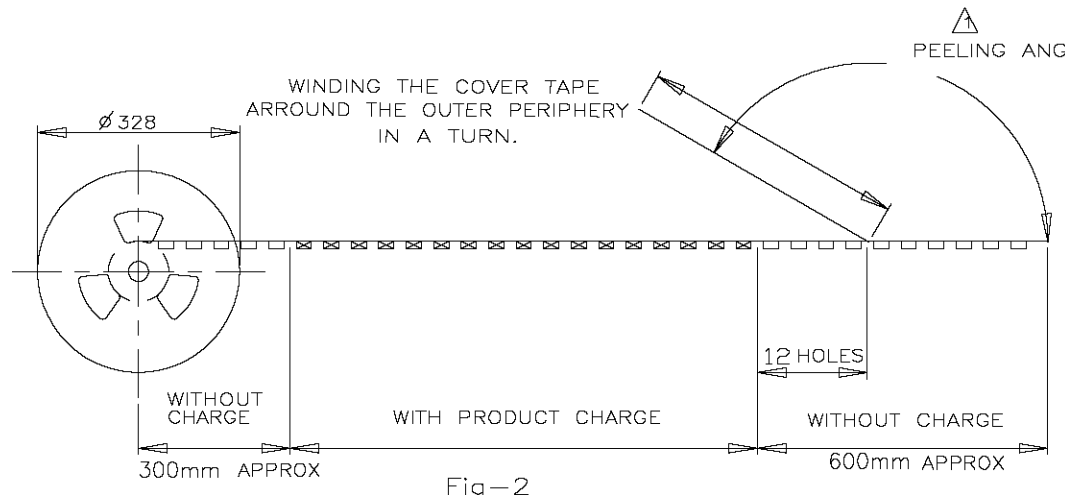
(AS SHOWN : 3P)



FOR 7P ONLY
 THREE KINDS OF DIFFERENT POCKETS AS 1 SET
 USED FOR 7P ONLY



COLOR	PLATE	TYPE OF BOSS	C			B			A			QTY/ REEL	Pos	TAPING P/N								
			WITH	B	20.2	44	24	20.2	44	22	14.2				32	20	14.2	32	18	11.5	24	16
NATURAL	WITH	B	20.2	44	24	500	9	1-292173-9														
		B	20.2	44	22		8	1-					-8									
		B	14.2	32	20		7	1-					-7									
		B	14.2	32	18		6	1-					-6									
		B	11.5	24	16		5	1-					-5									
		B			14		4	1-					-4									
		A			12		3	1-					-3									
		A	11.5	24	10		2	1-					-2									
	BLACK		B	20.2	44	24		9	0-					-9								
		B	20.2	44	22		8	0-					-8									
		B	14.2	32	20		7	0-					-7									
		B	14.2	32	18		6	0-					-6									
		B	11.5	24	16		5	0-					-5									
		B			14		4	0-					-4									
		A			12		3	0-					-3									
WITH		A	11.5	24	10	500	2	0-292173-2														



THIS DRAWING IS A CONTROLLED DOCUMENT.		DWN	J.JIANG	23JAN03	 Tyco Electronics Corporation Shanghai, P.R.China,200233
		CHK	S.YAO	23JAN03	
		APVD	T.SASAKI	23JAN03	
		PRODUCT SPEC			
		APPLICATION SPEC			
NAME		ON TAPING (EMBOSS) AMP CT CONNECTOR POST HEADER ASS'Y (BOX-H SMT TYPE W/BOSS & TAIL)			
SIZE	CAGE CODE	DRAWING NO	RESTRICTED TO		
A3	00779	C=292173	-		
CUSTOMER DRAWING		SCALE	+/+	SHEET	1 OF 6
				REV	C

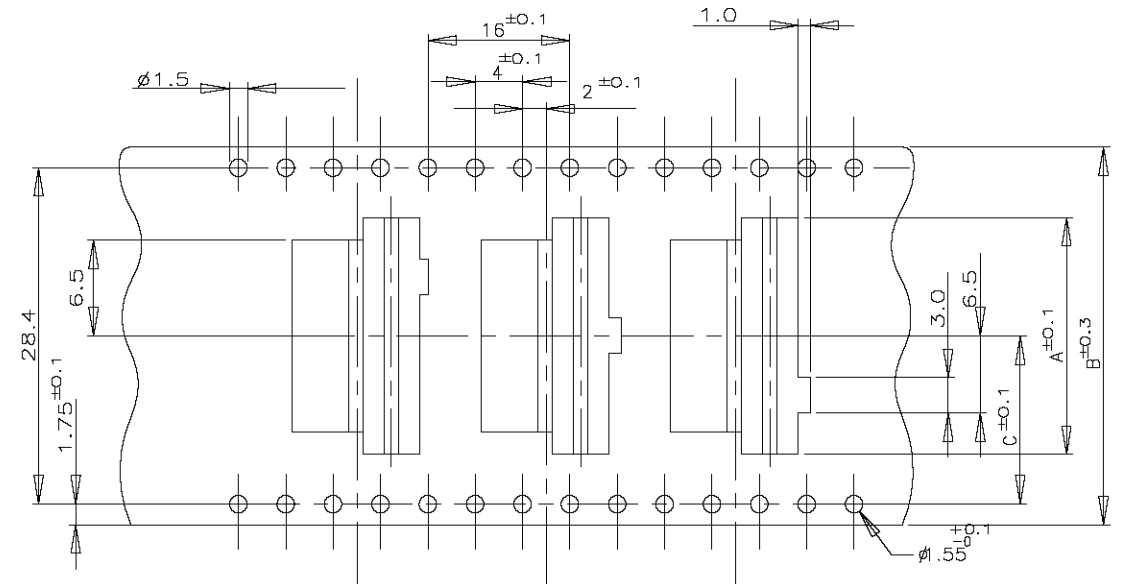
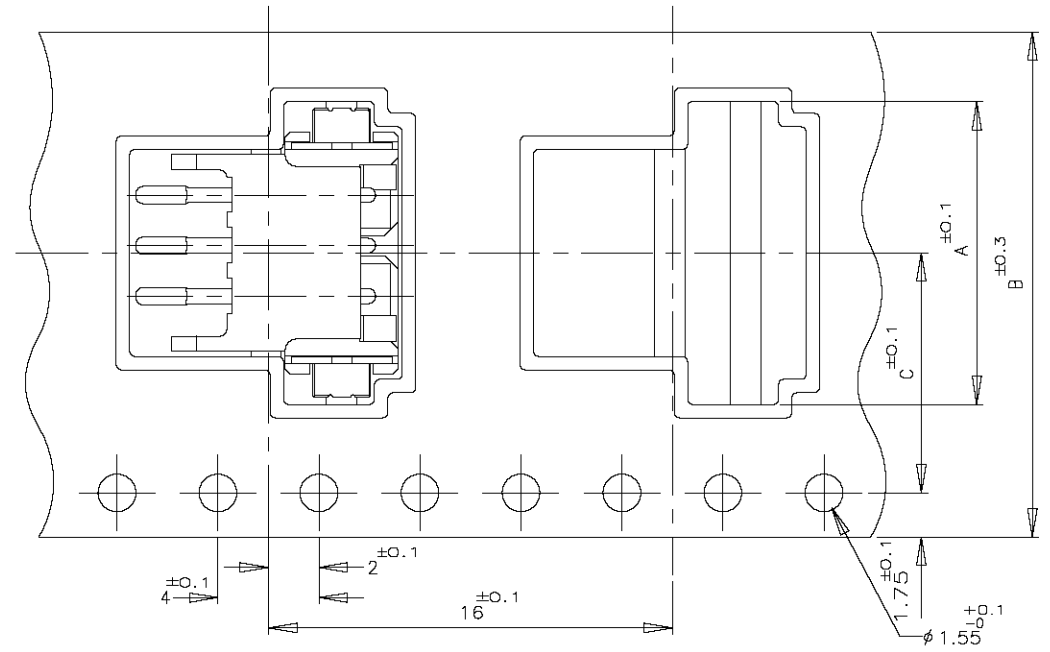
TOLERANCE UNLESS OTHERWISE SPECIFIED:

10>*	:±0.2
30>*>10	:±0.25
100>*>30	:±0.3
ANGLE	:±3°

NOTES:
 1 PEELING RESISTANCE : 0.196N-0.686N (20gf-70gf)
 SPEED : 300mm/min

DIMENSIONS:	TOLERANCES UNLESS OTHERWISE SPECIFIED:
MM	
	0 PLC ±
	1 PLC ±
	2 PLC ±
	3 PLC ±
	4 PLC ±
	ANGLES ±
MATERIAL	FINISH

(AS SHOWN : 3P)



FOR 7P ONLY
 THREE KINDS OF DIFFERENT POCKETS AS 1 SET
 USED FOR 7P ONLY

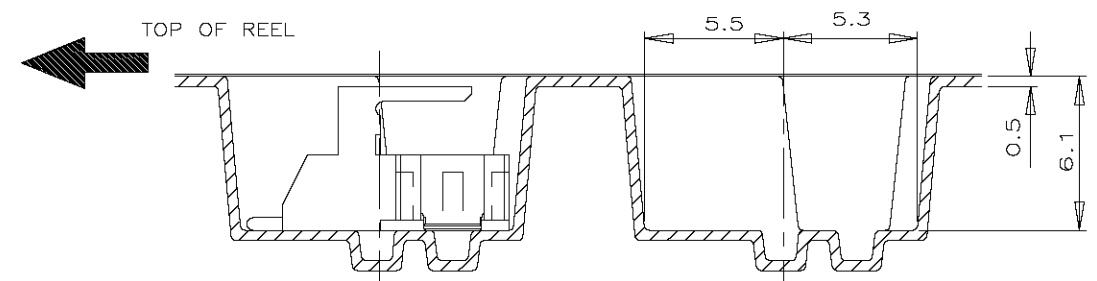
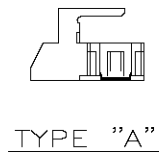


Fig-1

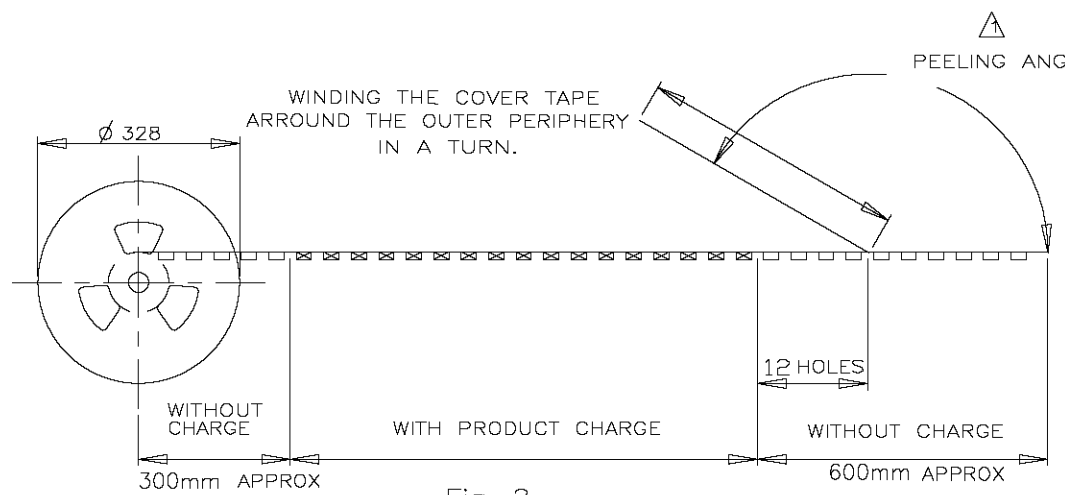


Fig-2

TOLERANCE UNLESS OTHERWISE SPECIFIED:

10 > *	: ±0.2
30 > * > 10	: ±0.25
100 > * > 30	: ±0.3
ANGLE	: ±3°

NOTES:
 ▲ PEELING RESISTANCE : 0.196N-0.686N (20gf-70gf)
 SPEED : 300mm/min

THIS DRAWING IS A CONTROLLED DOCUMENT.		DWN
DIMENSIONS: MM		CHK
TOLERANCES UNLESS OTHERWISE SPECIFIED:		APVD
0 PLC	±	PRODUCT SPEC
1 PLC	±	APPLICATION SPEC
2 PLC	±	WEIGHT
3 PLC	±	
4 PLC	±	
ANGLES	±	
MATERIAL	FINISH	

NATURAL	WITH	A	20.2	44	24	500	9	3-292173-9
	▲	A	20.2	44	22	▲	8	3-▲-8
		A	14.2	32	20		7	3-▲-7
		A	14.2	32	18		6	3-▲-6
		A	11.5	24	16		5	3-▲-5
		A	▲	▲	14		4	3-▲-4
		A			12		3	3-▲-3
		A	11.5	24	10		2	3-▲-2
	BLACK		A	20.2	44	24		9
		A	20.2	44	22		8	2-▲-8
		A	14.2	32	20		7	2-▲-7
		A	14.2	32	18		6	2-▲-6
		A	11.5	24	16		5	2-▲-5
		A	▲	▲	14		4	2-▲-4
		A			12		3	2-▲-3
WITH		A	11.5	24	10	500	2	2-292173-2
COLOR		PLATE	TYPE OF BOSS	C	B	A	QTY/REEL	Pos

tyco Electronics Tyco Electronics Corporation
 Shanghai, P.R.China,200233

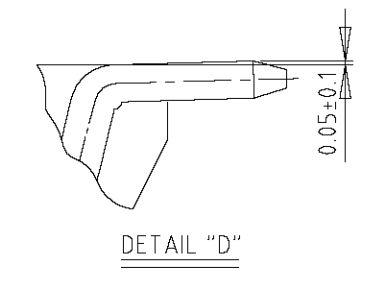
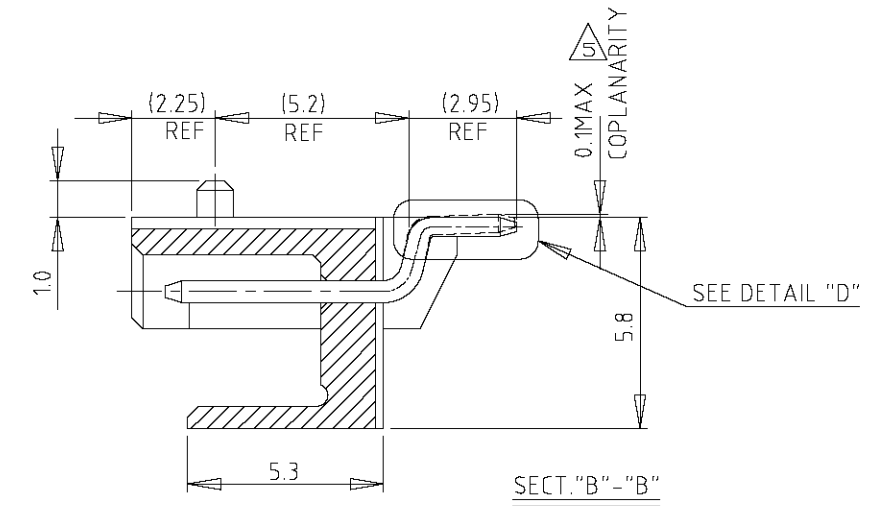
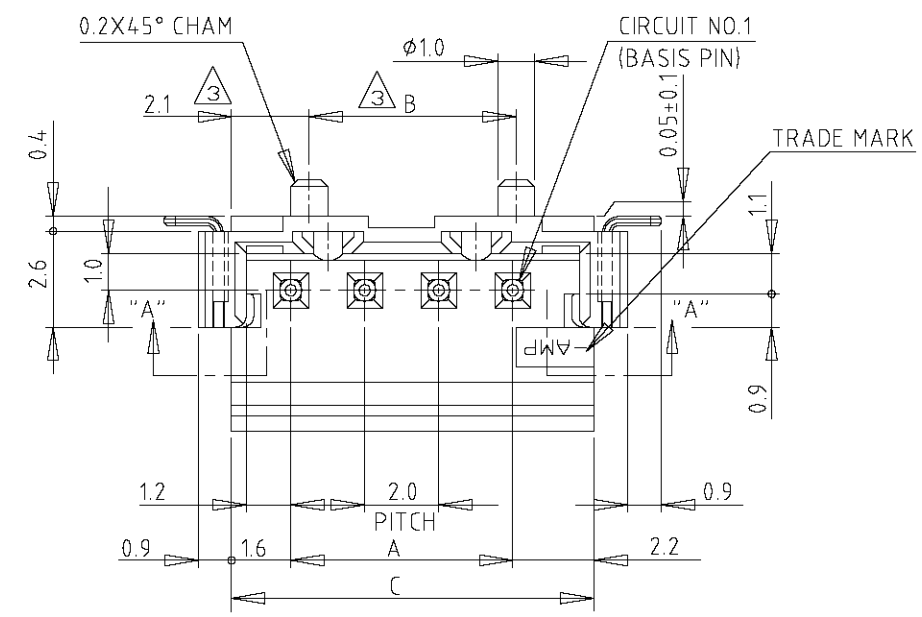
NAME: ON TAPING (EMBOSS)
 AMP CT CONNECTOR POST HEADER ASS'Y
 (BOX-H SMT TYPE W/O BOSS & W/ TAIL)

SIZE: A3 CAGE CODE: 00779 DRAWING NO: ©=292173 RESTRICTED TO: -

CUSTOMER DRAWING SCALE: // SHEET: 2 OF 6 REV: C

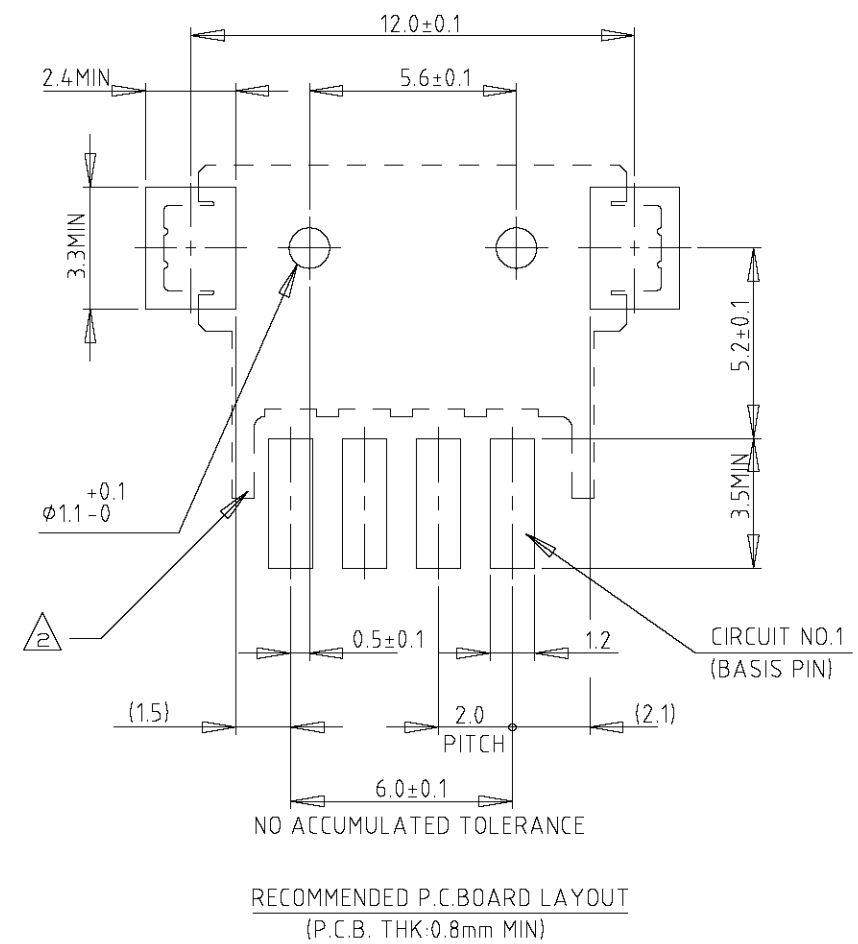
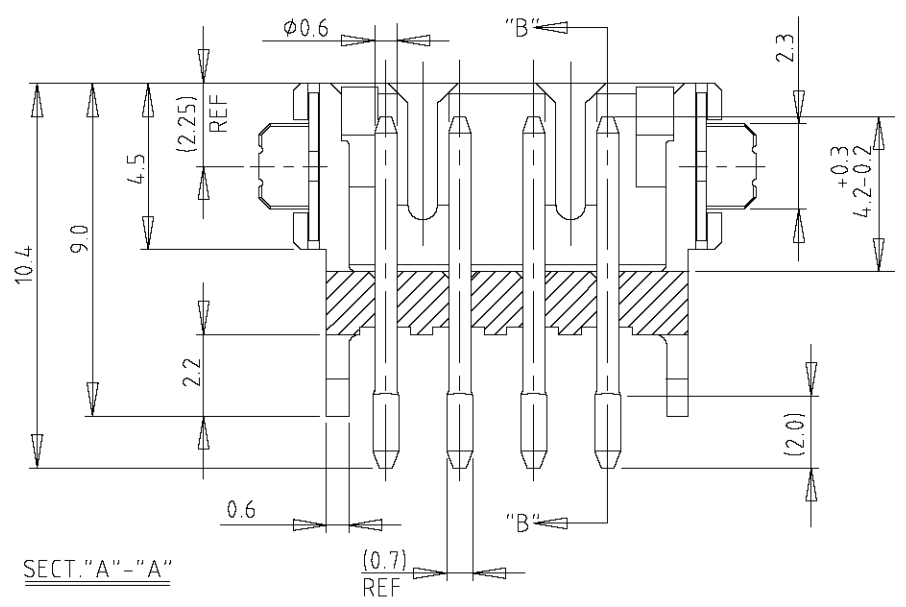
THIS DRAWING IS UNPUBLISHED. RELEASED FOR PUBLICATION
 © COPYRIGHT BY TYCO ELECTRONICS CORPORATION. ALL RIGHTS RESERVED.

LOC	DIST	REVISIONS					
ES	00	P	LTR	DESCRIPTION	DATE	DWN	APVD
				SEE SHEET 1			

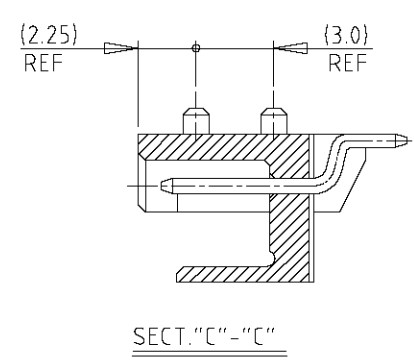
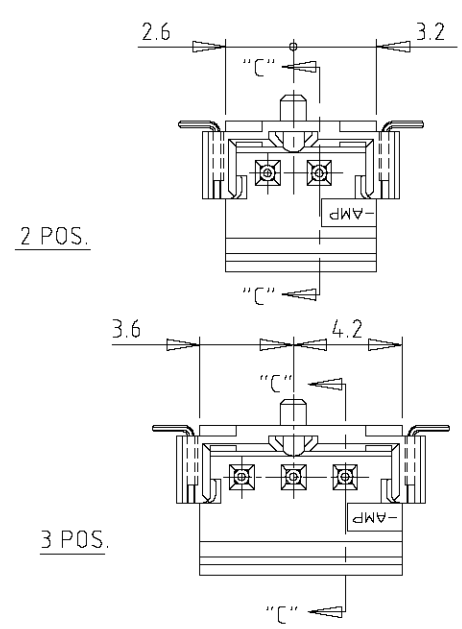


(AS SHOWN : -4)

- NOTES:
- MATERIAL:HSG-6T PA(G.F.30%)(UL94V-0)
 COLOR:BLACK ,NATURAL
 POST: TIN BRASS
 TAIL: TIN BRASS
 - OCCUPANT AREA ON PC BOARD
 - 4P& ABOVE POS.
 - 2P&3P
 - TO BE MEASURED WITH CONNECTOR PLACED ON HORIZONTAL DATUM SURFACE ,FLOAT OF SOLDER TINE AND TAIL FROM DATUM SURFACE IS 0.1mm MAX



16.0	15.6	19.8	22.0	9	1-292173-9	292173-9
14.0	13.6	17.8	20.0	8	1- -8	-8
12.0	11.6	15.8	18.0	7	1- -7	-7
10.0	9.6	13.8	16.0	6	1- -6	-6
8.0	7.6	11.8	14.0	5	1- -5	-5
6.0	5.6	9.8	--	4	1- -4	-4
4.0	--	7.8	--	3	1- -3	-3
2.0	--	5.8	--	2	1-292173-2	292173-2
A	B	C	D	Pos.	NATURAL	BLACK
					P/N	



TOLERANCES UNLESS OTHERWISE SPECIFIED:
 10≥x : ± 0.2
 30≥x>10 : ± 0.25
 100≥x>30 : ± 0.3
 ANGEL : ± 3°

THIS DRAWING IS A CONTROLLED DOCUMENT.

DIMENSIONS: MM

TOLERANCES UNLESS OTHERWISE SPECIFIED:
 0 PLC ± -
 1 PLC ± -
 2 PLC ± -
 3 PLC ± -
 4 PLC ± -
 ANGLES ± -

MATERIAL: SEE NOTE

FINISH: SEE NOTE

DWN: -
 CHK: -
 APVD: -

PRODUCT SPEC: 108-60016

APPLICATION SPEC: -

WEIGHT: -

CUSTOMER DRAWING

tyco Electronics Tyco Electronics Corporation
 SHANGHAI, CHINA, 200233

NAME: SMT TYPE POST HDR ASS'Y (H)
 WITH BOSS & TAIL TYPE
 (AMP CT CONN. 2mm PITCH)

SIZE: A3 CAGE CODE: 00779 DRAWING NO: C-292173 RESTRICTED TO: -

SCALE: 5:1 SHEET: 3 OF 6 REV: C

THIS DRAWING IS UNPUBLISHED. RELEASED FOR PUBLICATION

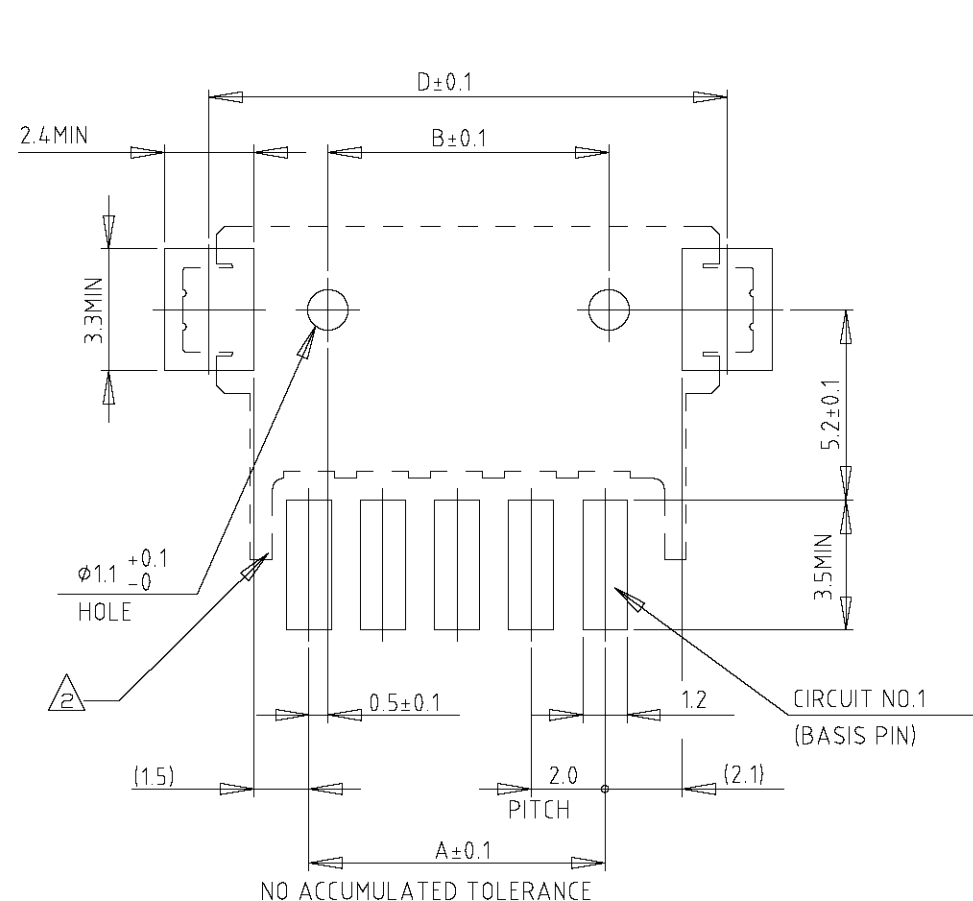
© COPYRIGHT BY TYCO ELECTRONICS CORPORATION. ALL RIGHTS RESERVED.

LOC ES DIST 00

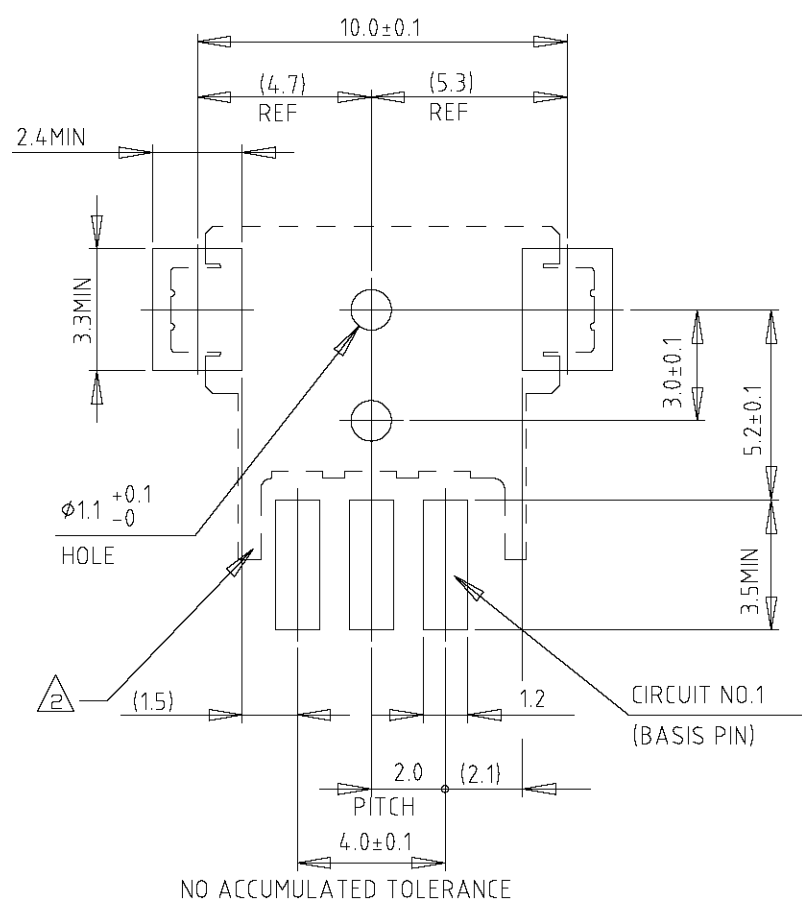
REVISIONS

P	LTR	DESCRIPTION	DATE	DWN	APVD
-	-	SEE SHEET 1	-	-	-

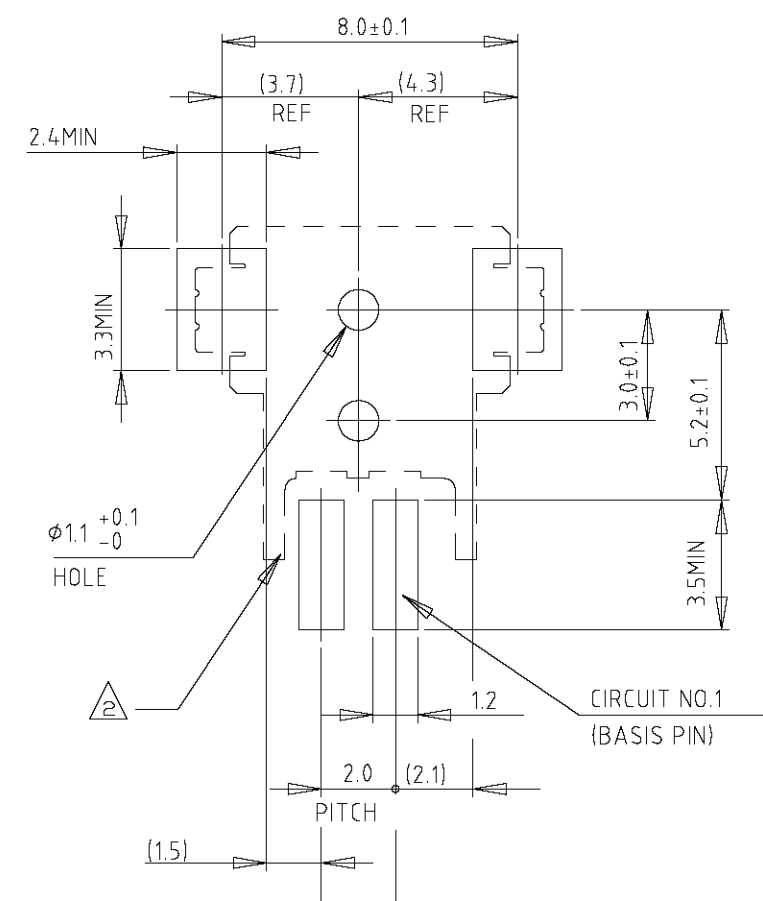
LAYOUT FOR 292173-X,1-292173-X



5 POS. & ABOVE POS.



3 POS.



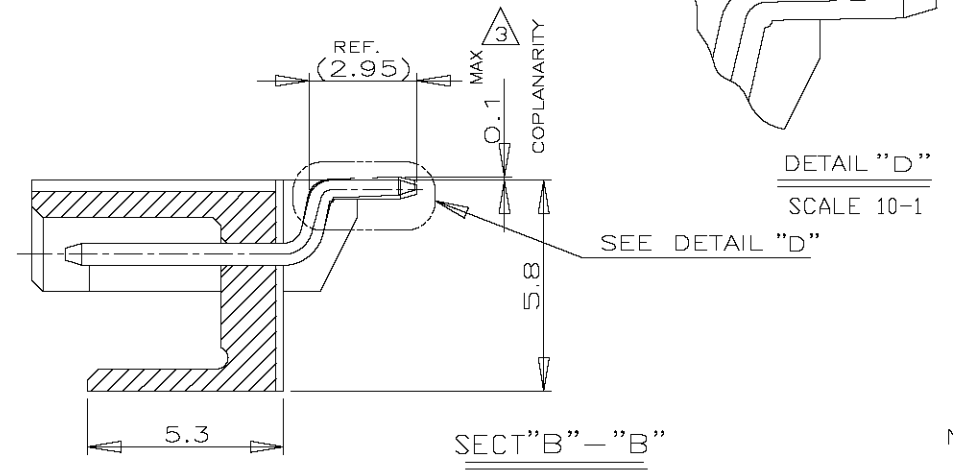
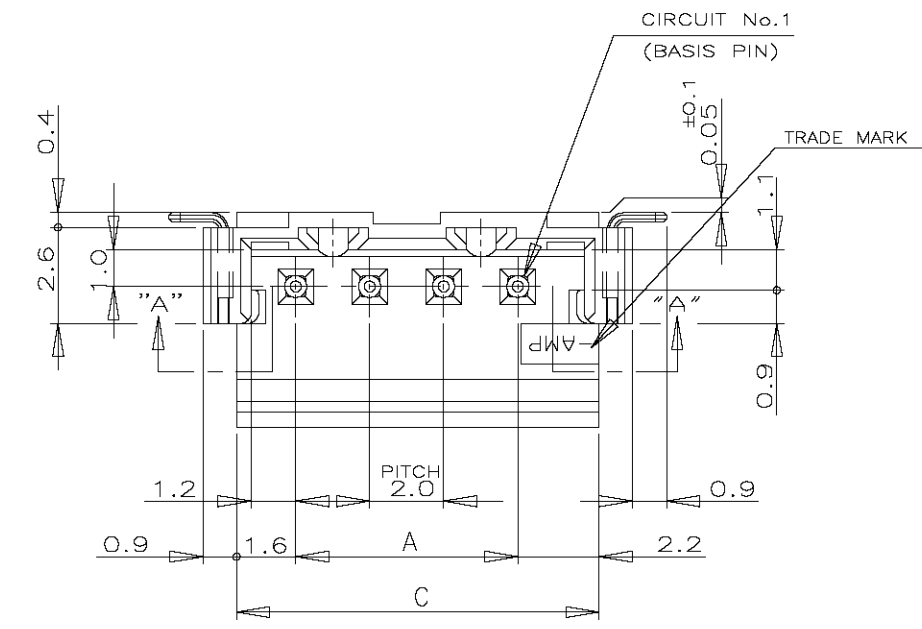
2 POS.

RECOMMENDED P.C. BOARD LAYOUT (P.C.B THK:0.8mm MIN)

THIS DRAWING IS A CONTROLLED DOCUMENT.		DWN	tyco Tyco Electronics Corporation		
DIMENSIONS: MM		CHK	SHANGHAI, CHINA, 200233		
TOLERANCES UNLESS OTHERWISE SPECIFIED:		APVD	NAME		
0 PLC ±-		PRODUCT SPEC	SMT TYPE POST HDR ASS'Y (H)		
1 PLC ±-		APPLICATION SPEC	WITH BOSS & TAIL TYPE		
2 PLC ±-		WEIGHT	(AMP CT CONN. 2mm PITCH)		
3 PLC ±-		SIZE	CAGE CODE	DRAWING NO	RESTRICTED TO
4 PLC ±-		A3	00779	©=292173	-
ANGLES ±-		CUSTOMER DRAWING			
FINISH		SCALE	SHEET	OF	REV
		5:1	4	6	C

THIS DRAWING IS UNPUBLISHED. RELEASED FOR PUBLICATION
 © COPYRIGHT BY TYCO ELECTRONICS CORPORATION. ALL RIGHTS RESERVED.

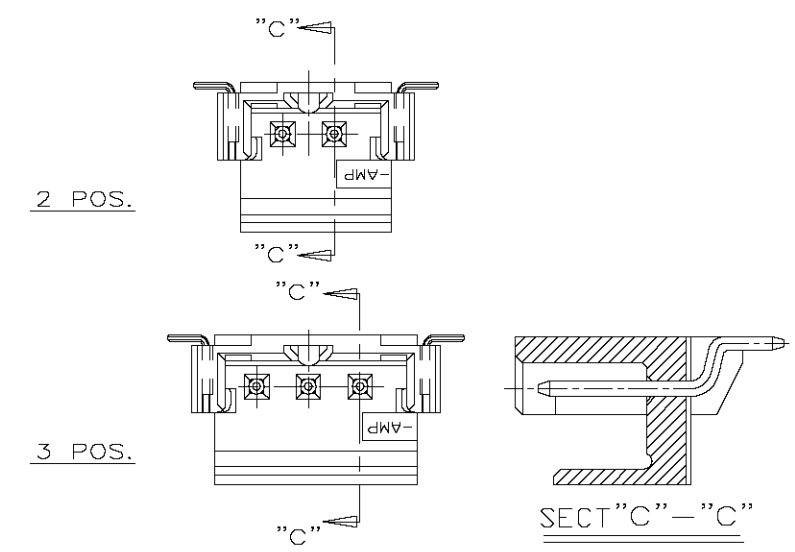
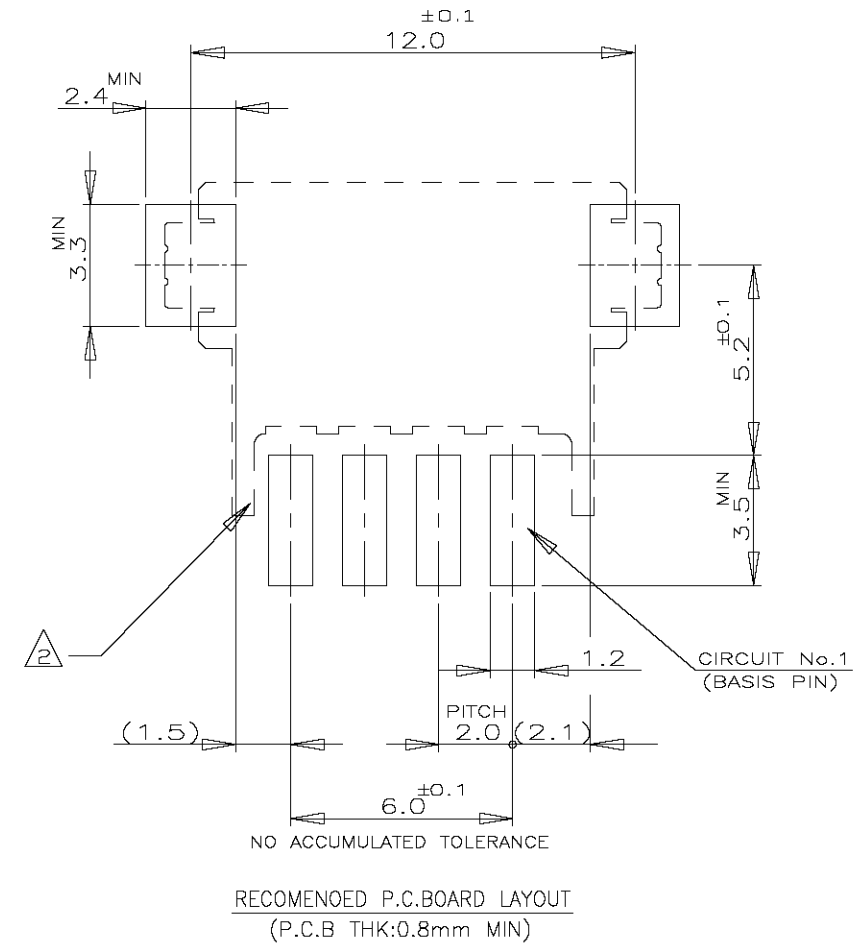
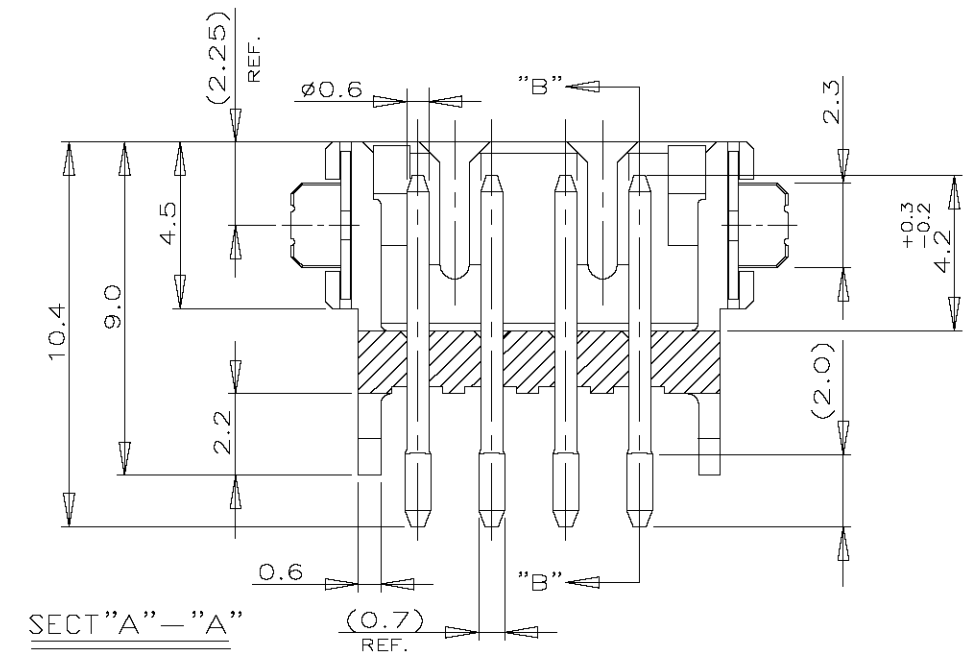
LOC	DIST	REVISIONS					
ES	00	P	LTR	DESCRIPTION	DATE	DWN	APVD
		-	-	SEE SHEET 1	-	-	-



(AS SHOWN :4P)

NOTES;

- MATERIAL : HSG-6T PA(G.F.30%)(UL94V-0)
 COLOR:BLACK,NATURAL
 POST:TIN BRASS
 TAIL: TIN BRASS
- △ OCCUPANT AREA ON PC BOARD
- △ TO BE MEASURED WITH CONNECTOR PLACED ON HORIZONTAL DATUM SURFACE,FLOAT OF SOLDER TINE AND TAIL FROM DATUM SURFACE IS 0.1mm MAX



TOLERANCES UNLESS OTHERWISE SPECIFIED:

10**	±0.2
30**>10	±0.25
100**>30	±0.3
ANGEL	±3°

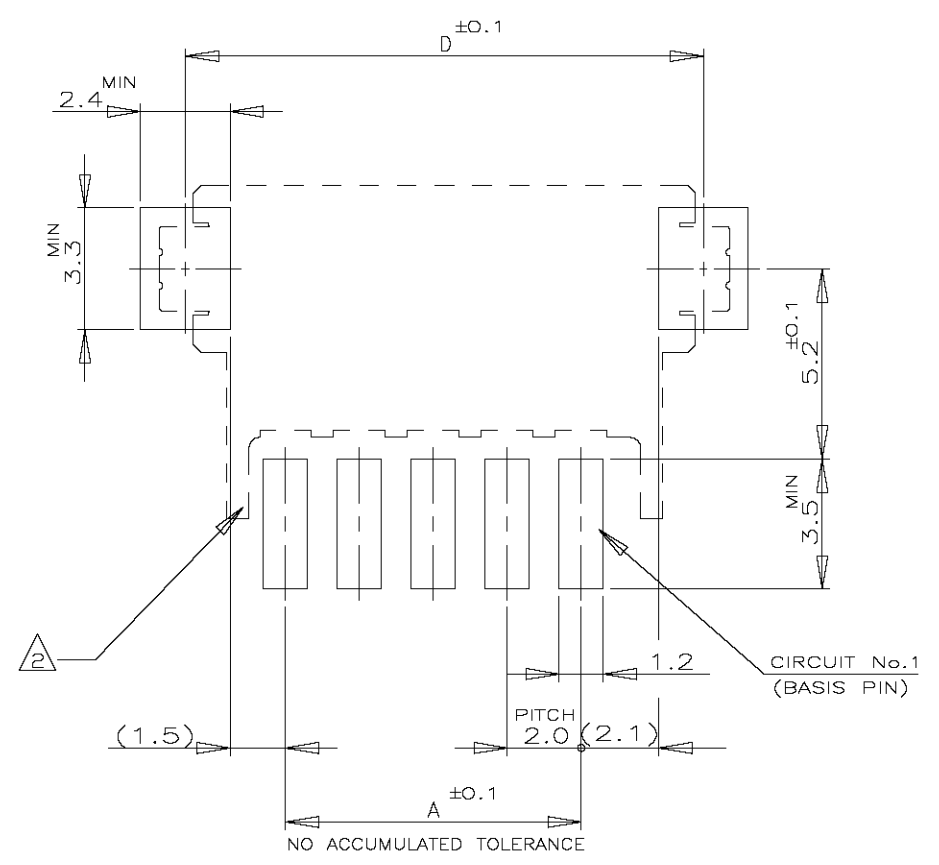
16.0	19.8	22.0	9	3-292173-9	2-292173-9
14.0	17.8	20.0	8	3- -8	2- -8
12.0	15.8	18.0	7	3- -7	2- -7
10.0	13.8	16.0	6	3- -6	2- -6
8.0	11.8	14.0	5	3- -5	2- -5
6.0	9.8	--	4	3- -4	2- -4
4.0	7.8	--	3	3- -3	2- -3
2.0	5.8	--	2	3-292173-2	2-292173-2
A	C	D	Pos.	NATURAL	BLACK
P/N					

THIS DRAWING IS A CONTROLLED DOCUMENT.		DWN	Tyco Electronics Corporation SHANGHAI, CHINA, 200233		
DIMENSIONS: MM		CHK	NAME		
TOLERANCES UNLESS OTHERWISE SPECIFIED:		APVD	SMT TYPE POST HDR ASS'Y (BOX-H) W/O BOSS,WITH TAIL TYPE (AMP CT CONN. 2mm PITCH)		
0 PLC ± -		PRODUCT SPEC	108-60016		
1 PLC ± -		APPLICATION SPEC	-		
2 PLC ± -		WEIGHT	-		
3 PLC ± -		CUSTOMER DRAWING			
4 PLC ± -		SIZE	CAGE CODE	DRAWING NO	RESTRICTED TO
ANGLES ± -		A3	00779	C-292173	-
MATERIAL	FINISH	SCALE 5:1 SHEET 5 OF 6 REV C			
SEE NOTE	SEE NOTE				

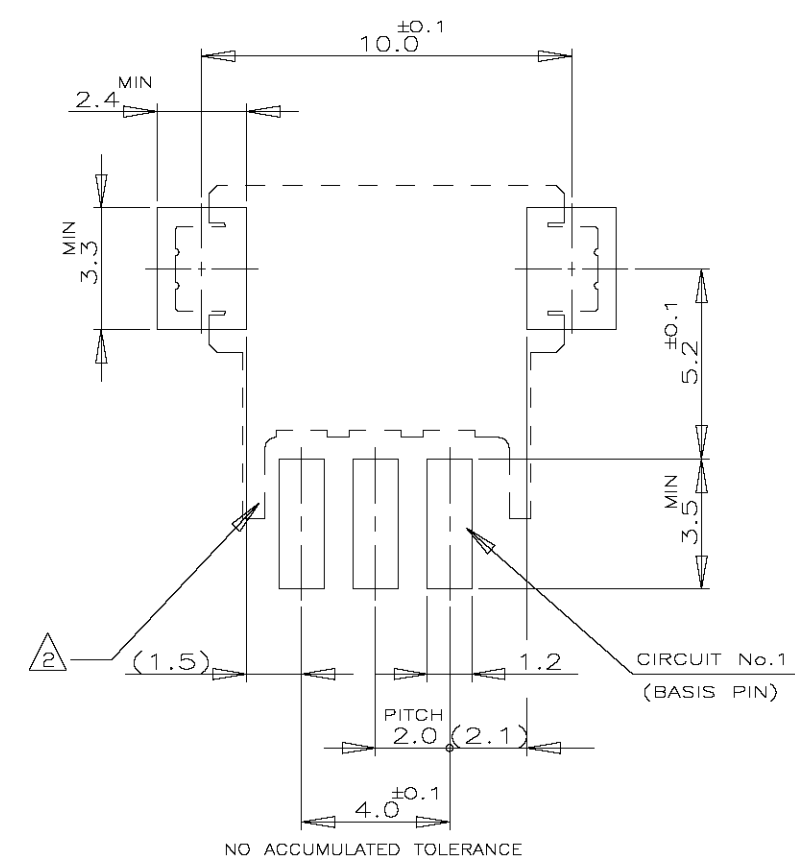
THIS DRAWING IS UNPUBLISHED. RELEASED FOR PUBLICATION
 © COPYRIGHT BY TYCO ELECTRONICS CORPORATION. ALL RIGHTS RESERVED.

LOC	DIST	REVISIONS					
ES	00	P	LTR	DESCRIPTION	DATE	DWN	APVD
		-		SEE SHEET 1	-	-	-

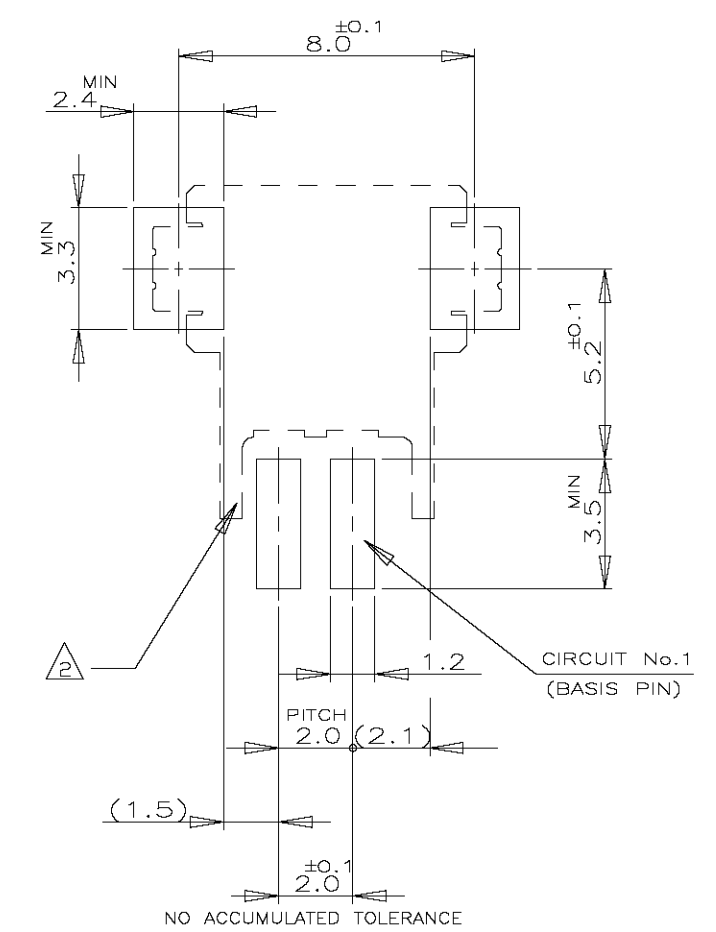
LAYOUT FOR 2-292173-X,3-2-292173-X



5 POS & ABOVE POS



3 POS



2 POS

RECOMENED P.C.BOARD LAYOUT
 (P.C.B THK:0.8mm MIN)

THIS DRAWING IS A CONTROLLED DOCUMENT.		DWN	06DEC2002	tyco Electronics	Tyco Electronics Corporation SHANGHAI, CHINA, 200233		
DIMENSIONS: MM		CHK	-		NAME		
TOLERANCES UNLESS OTHERWISE SPECIFIED:		APVD	-	SMT TYPE POST HDR ASS'Y (H) W/O,WITH TAIL TYPE (AMP CT CONN. 2mm PITCH)			
0 PLC ±		PRODUCT SPEC	-	SIZE	CAGE CODE	DRAWING NO	RESTRICTED TO
1 PLC ±		APPLICATION SPEC	-	A3	00779	©=292173	-
2 PLC ±		WEIGHT	-	CUSTOMER DRAWING			
3 PLC ±				SCALE	5:1	SHEET	6 OF 6
4 PLC ±						REV	C
ANGLES ±							
MATERIAL							
FINISH							