

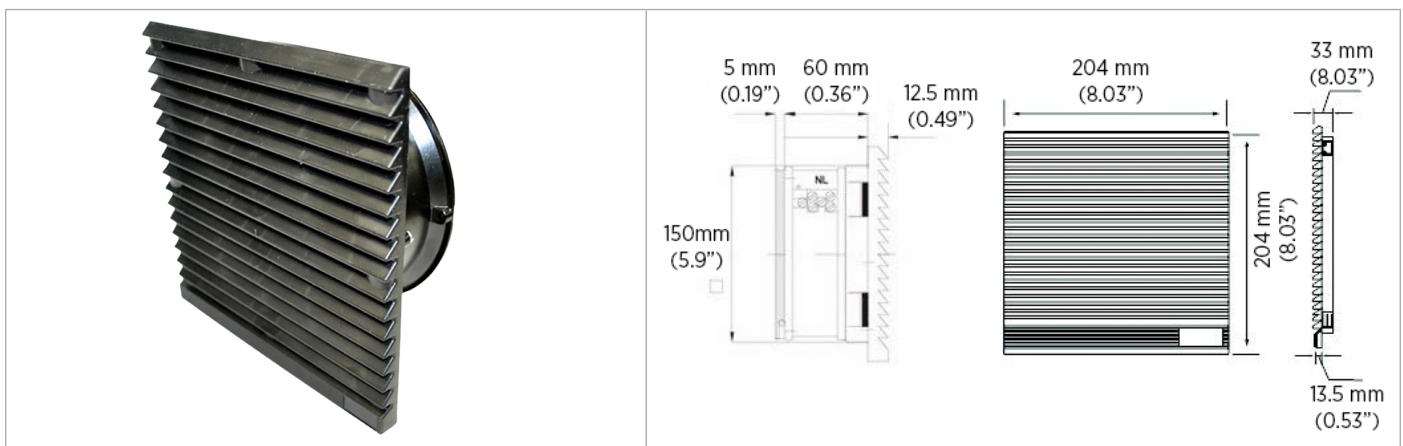


# Datasheet

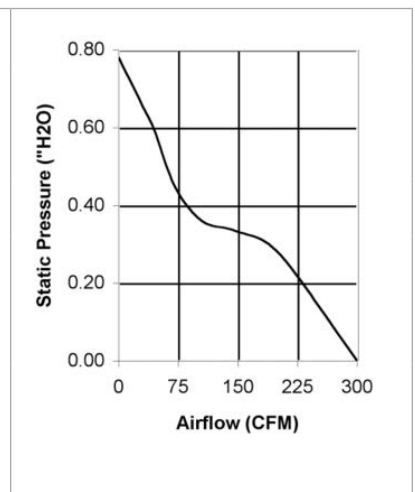
## RS PRO LOUVERED FILTER FAN KIT WITH FAN INSTALLED and SNAP-ON GUARD

Stock number: 175-9782

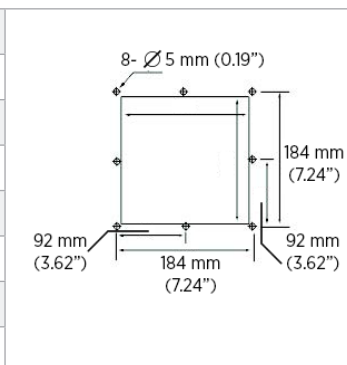
EN



<b>Frame</b>	Diecast Aluminum	<u>Operating Temperature</u> Ball Bearing -40C ~ +70C
<b>Impeller</b>	PBT, UL94V-O plastic	<u>Life Expectancy</u> Ball Bearing 60,000 hours (L10 at 40C)
<b>Connection</b>	Terminals	<u>Environmental Protection</u> Class B Insulation Rated IP54 Guard
<b>Motor</b>	Impedance protected	Guard Frame: ABS Resin UL94V-0 with UV protection
<b>Bearing System</b>	Dual ball bearing	Color: Black (standard) or Gray
<b>Insulation Resistance</b>	>100M ohm between lead-wire and frame (500VDC)	Filter Mesh: Nylon fiber Synthetic Resin
<b>Dielectric Strength</b>	1 min at 1500 VAC, 50/60Hz	m4



<b>Model Number</b>	175-9782
<b>Nominal Voltage</b>	230 VAC
<b>Voltage Range</b>	200-240 VAC
<b>Rated Power</b>	50 W (60Hz)
<b>Rated Speed (RPM)</b>	3300
<b>Airflow - CFM</b>	300
<b>Noise Level - (dB)</b>	61
<b>Max. Static Pressure</b>	0.78" H <sub>2</sub> O



\* Note: Airflow data is for the fan without the louvered filter attached. Calculations indicate that up to a 40% reduction (~ 180 CFM) in fan airflow is possible with LFG unit installed.