

**EXCELON 72**  
**General Purpose Filter/Regulator**  
**1/4", 3/8" Port Sizes**

- **EXCELON design allows in-line installation or modular installation with other Excelon 72 products**
- **High efficiency water and particle removal**
- **Quick release bayonet bowl**
- **Highly visible, prismatic liquid level indicator lens on metal bowls**
- **Full flow gauge ports**
- **Balanced valve design for optimum pressure control**
- **Push to lock adjusting knob with tamper resistant accessory**
- **Patented quarter turn manual drain**


**Technical Data**

Fluid: Compressed air

Maximum Pressure:

Transparent bowl: 10 bar

Metal bowl: 17 bar

Operating Temperature\*:

Transparent bowl: -20° to +50°C

Metal bowl: -20° to +65°C

\* Air supply must be dry enough to avoid ice formation at temperatures below 2°C.

Partical Removal: 5 µm or 40 µm. Within ISO 8573-1, Class 3 and Class 5

Approximate flow at 10 bar inlet pressure, 6,3 bar set pressure and a droop of 1 bar from set: 38 dm<sup>3</sup>/s

Manual Drain Thread: 7/16" x 24 TPI (1/4" male O/D tube)

Semi Automatic Drain Connection: 8 mm ID tube

Semi automatic drain operating pressure: 0,1 bar

Drain closes when bowl pressure exceeds 0,1 bar and opens when bowl pressure drops below 0,1 bar. Can be operated manually by lifting the stem.

Gauge Ports:

1/8" PTF with PTF main ports

1/8" ISO Rc with ISO Rc main ports

1/8" ISO Rc with ISO G main ports

Materials:

Body: Zinc

Bonnet: Acetal

Valve: Brass

Bowl:

Transparent: Polycarbonate

Metal: Zinc

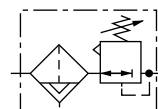
Metal bowl liquid level indicator lens: Transparent nylon

Element: Sintered polypropylene

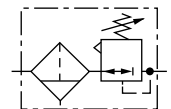
Elastomers: Neoprene and Nitrile

**Ordering Information**

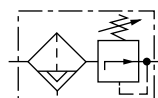
See *Ordering Information* on following pages.

**ISO Symbols**


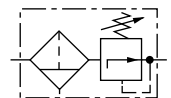
Semi Automatic Drain  
Relieving



Manual Drain  
Relieving



Semi Automatic Drain  
Non Relieving

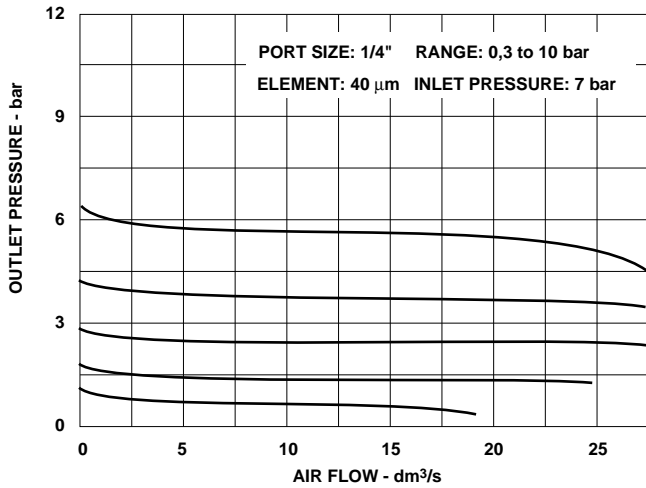


Manual Drain  
Non Relieving

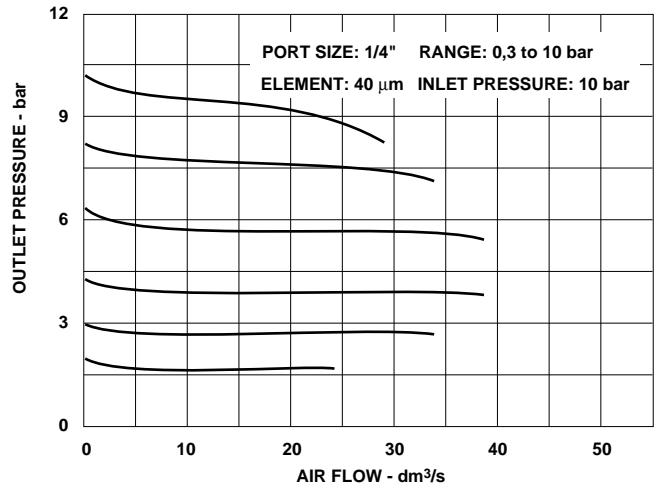


### Typical Performance Characteristics

FLOW CHARACTERISTICS



FLOW CHARACTERISTICS



**Ordering Information.** Models listed include BSP threads, knob adjustment, semi automatic drain, transparent bowl without guard, 40 µm element, relieving diaphragm, 0,3 to 10 bar outlet pressure adjustment range\* without gauge.

Port Size	Model	Flow <sup>†</sup> dm <sup>3</sup> /s	Weight kg
G1/4	B72G-2GK-ST3-RMN	38	0,52
G3/8	B72G-3GK-ST3-RMN	38	0,52

† Typical flow with 10 bar inlet pressure, 6,3 bar set pressure and a 1 bar droop from set.

### Alternative Models

B 7 2 G - ★ ★ ★ - ★ ★ ★ - ★ ★ ★

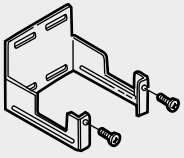
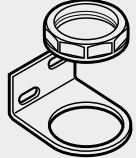
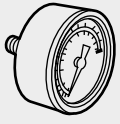
Port Size	Substitute
1/4"	2
3/8"	3
Threads	Substitute
PTF	A
ISO Rc taper	B
ISO G parallel	G
Adjustment	Substitute
Knob	K
T-bar	T


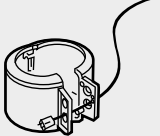
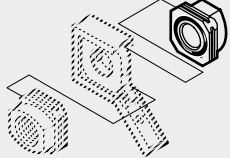

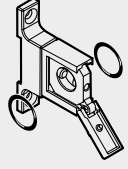
Gauge	Substitute
With	G
Without	N
Outlet Pressure Adjustment Range*	Substitute
0,3 to 4 bar	F
0,3 to 10 bar	M
Diaphragm	Substitute
Relieving	R
Non Relieving	N
Element	Substitute
5 µm	1
40 µm	3
Bowl	Substitute
Metal with liquid level indicator	D
Transparent without guard	T
Drain	Substitute
1/4 turn manual	Q
Semi automatic	S

\* Outlet pressure can be adjusted to pressures in excess of, and less than, those specified. Do not use these units to control pressures outside of the specified ranges.



**Accessories**

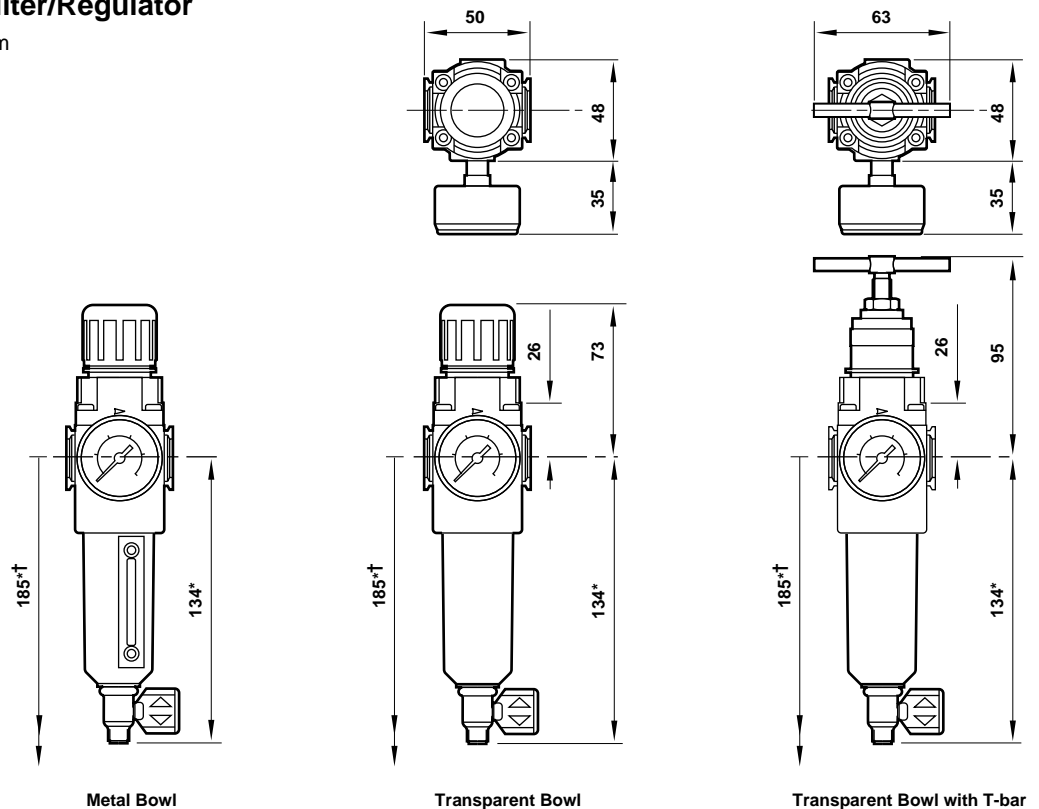
		
Wall Mounting Bracket	Neck Mounting Bracket	Ø 40 mm Gauge R1/8 Connection
4224-50	74316-50	4 bar: 18-013-990 10 bar: 18-013-989 25 bar: 18-013-908

				
Plastic Panel Nut	Tamper Resistant Cover and Seal wire	Pipe Adaptors (Quantity of 1)	Quikclamp	Quikclamp and Quikclamp Wall Bracket
4248-89	4255-51 Seal Wire: 2117-01	Size BSP ISO Rc ISO G 1/4 4215-02 4215-05 4215-08 3/8 4215-03 4215-06 4215-09	4214-51	4214-52

**B72G General Purpose Filter/Regulator**

Panel mounting hole diameter: 40 mm

Panel thickness: 0 to 4 mm



\* Add 43 mm for semi automatic drain

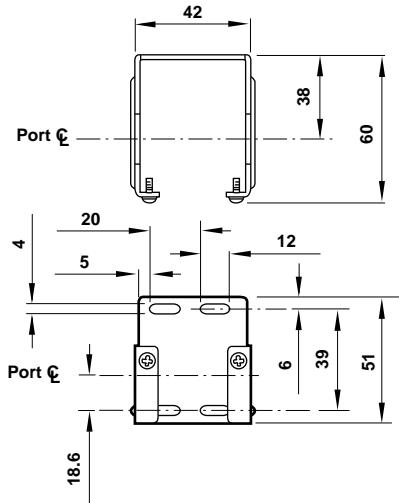
† Minimum clearance required to remove bowl.



### Bracket Mounting

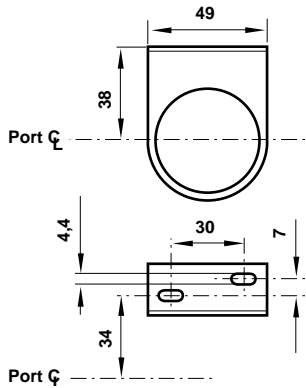
#### Wall Bracket

Use 4 mm screws to mount bracket to wall.



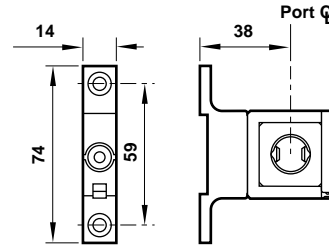
#### Neck Mounting for B72, R72, V72, includes mounting ring

Use 4 mm screws to mount bracket to wall.



#### Quikclamp and Quikclamp Wall Bracket

Use 4 mm screws to mount bracket to wall.



### Bracket Kit Reference

Item	Part Number
Wall Bracket	4224-50
Neck Mounting Wall Bracket	74316-50
Quikclamp and Quikclamp Wall Bracket	4214-52

### Service Kits

Item	Type	Part Number
Service kit	Relieving	4383-500
	Non Relieving	4383-501
Replacement elements	5 µm	5925-03
	40 µm	5925-02
Liquid level lens kit	Prismatic	4380-030
Replacement drains	1/4 turn manual	619-50
	Semi automatic	5379-50

Service kit includes diaphragm assembly, valve assembly, valve spring, louvre o-ring, bowl o-ring, drain seal.

### Warning

These products are intended for use in industrial compressed air systems only. Do not use these products where pressures and temperatures can exceed those listed under 'Technical Data'. Before using these products with fluids other than those specified, for non-industrial applications, life-support systems, or other applications not within published specifications, consult NORGREN. Through misuse, age, or malfunction, components used in fluid power systems can fail in various modes. The system designer is warned to consider the failure modes of all component parts used in fluid power systems and to provide adequate safeguards to prevent personal injury or damage to equipment in the event of such failure. **System designers must provide a warning to end users in the system instructional manual if protection against a failure mode cannot be adequately provided.** System designers and end users are cautioned to review specific warnings found in instruction sheets packed and shipped with these products.