

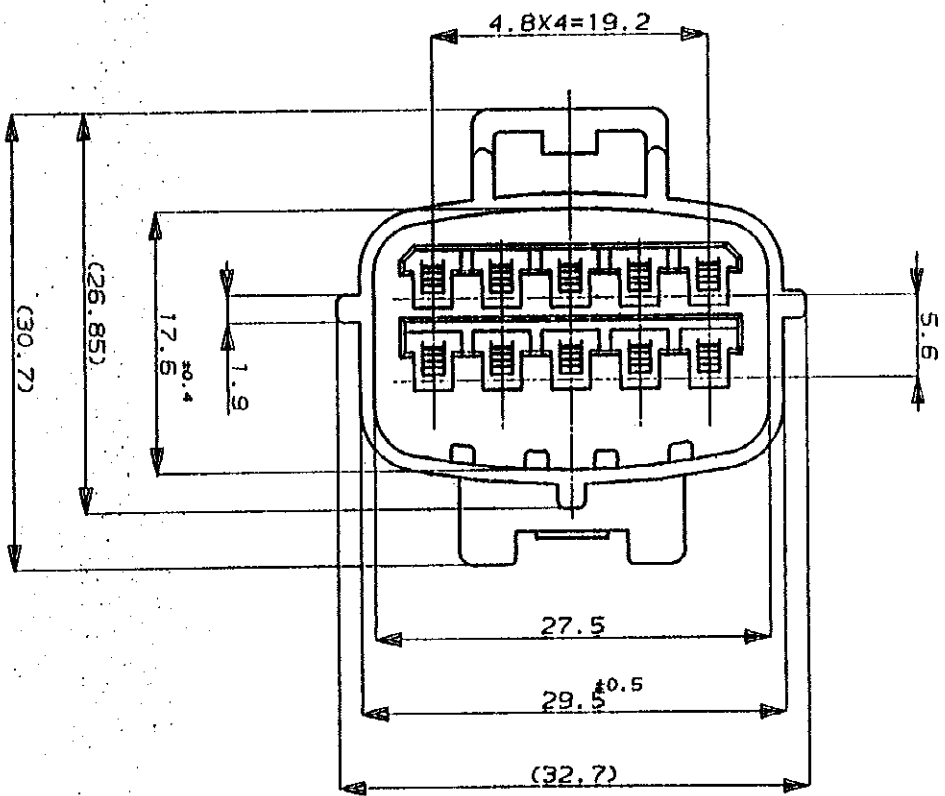
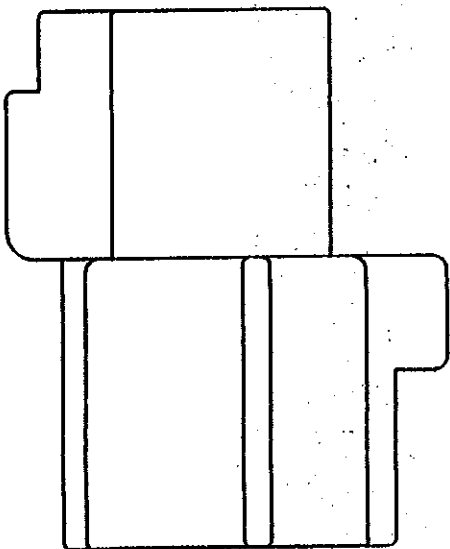
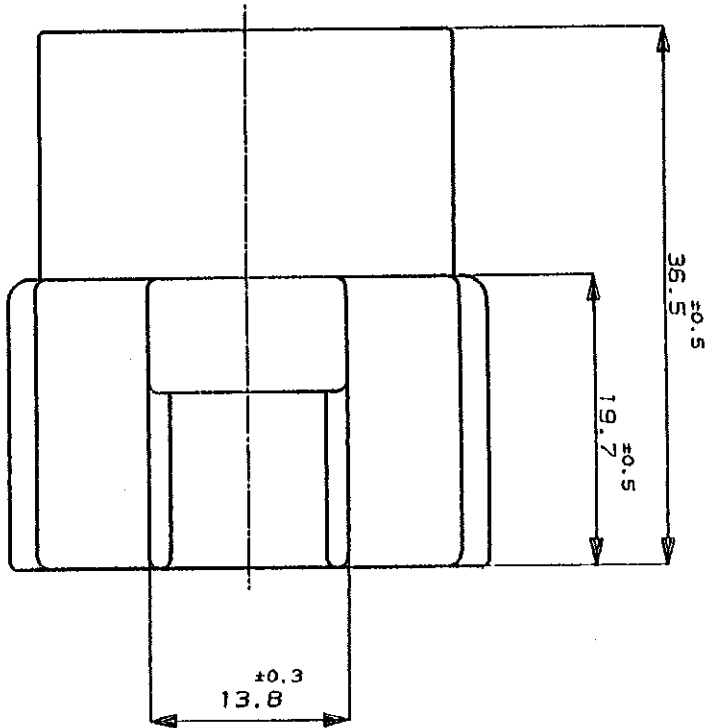
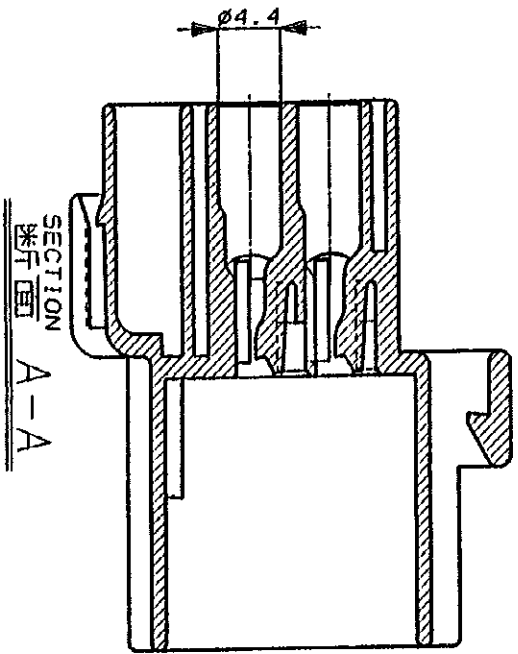
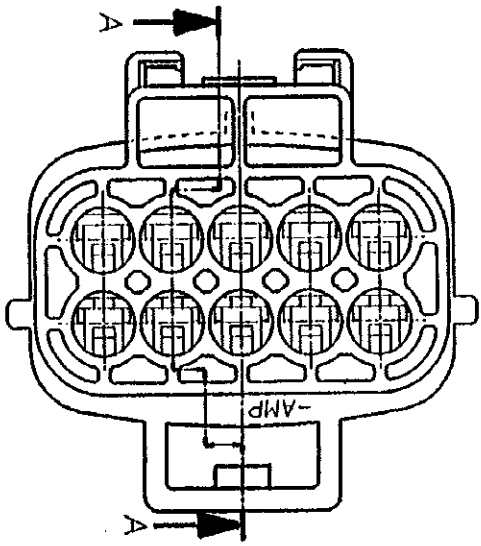
NUMBER
C-174657

3rd ANGLE PROJECTION

METRIC

E16583>U.CAD>U.MAZDA>U.10P>S.C-CAP
DIMENSIONS IN MILLIMETERS. DO NOT SCALE PRINT

PRINT DIST



注：
1 かん合相手型番：174655
2 本品はダブルロックプレート P/N 174658 を装着して使用する

NOTE：
1 FOR PLUG HOUSING (P/N174655)
2 THIS PART MUST BE USED WITH DOUBLE LOCK PLATE (P/N174658)

LTR	REVISION RECORD	DR	CHK	DATE
0	作成 RELEASED	YF	TS	11/14/88
A	変更 REVISIED J-10135	TS	MT	5/22/89
B	変更 REVISIED J-10986	GS	MO	8/11/89

<p>© 1987 BY AMP (Japan) LTD. ALL RIGHTS RESERVED. BY PATENTS AND OR PATENTS PENDING</p>		<p>10極 TOP ECONOSEAL J-MARK IITM CONNECTOR CAP HOUSING</p>	
<p>ULTR-RANGE mm² (AWG)</p>	<p>INSULATION DIA mm²</p>	<p>MATERIAL PBT</p>	<p>FINISH BLACK</p>
<p>DR. K. Oikawa 7/9/87</p>	<p>DE. K. Oikawa 11/14/88</p>	<p>CHK. Y. Nakamura</p>	<p>AMP (JAPAN) LTD. Tokyo, Japan</p>
<p>GENERAL TOLERANCE 0<math>k</math> 10 : ± 0.2 10<math>k</math> 30 : ± 0.25 30<math>k</math> 100 : ± 0.3 ANGLES : $\pm 3^\circ$</p>	<p>SIZE A3</p>	<p>LOC J</p>	<p>NUMBER C-174657</p>
<p>SCALE 2:1</p>		<p>REV. B</p>	<p>SHEET 1 OF 1</p>

CUSTOMER DRAWING

-2 AS SHOWN