



### General characteristics

Rated power supply voltage		380...480VAC 50/60Hz
Rated output voltage	VAC	Three-phase 0... 480VAC 0-400Hz
Rated output current	A	9
Rated output power	kW	4
Rated output power	HP	5
EMC filter		Built-in EMC suppressor cat. C3
Communication port		RS485, Modbus- RTU

### Technical features

Input type		Three-phase
Rated mains voltage	VAC	380...480
Operating mains voltage range	VAC	323...528
Rated mains frequency	Hz	50/60
Operating mains frequency range	Hz	47.5...63
Output type		Three-phase
Output voltage range	VAC	0...480
Output frequency range	Hz	0...400
Current overload	%/s	150% for 60s (heavy load); 120% for 60s (standard load)
Brake chopper		Yes
Switching frequency		2...15kHz

### Functions

Motor control modes		V/f linear, V/f quadratic, V/f custom, sensorless vector control
---------------------	--	--

Speed reference signals		External potentiometer 0...5kΩ Voltage signals: 0...10VDC or -10...+10VDC Current signals: 0/4...20mA Buttons on front keyboard Front potentiometer Preset speeds Modbus
3-wire control		Yes
S-shape curves		Yes
Slip compensation		Yes
Flying restart		Yes
Access to DC bus		No
DC braking		Yes
DC injection at start		Yes
PID control		Yes
Sequencer (programmable frequency/time cycles)		No
Preset speeds		Yes
Autotuning		Yes
Safe torque Off (STO) safety function		No
PTC probe input		No
Protections		Overcurrent Output short circuit and earth/ground leakage Overvoltage Undervoltage Phase loss Motor heat overload (i2t) Overtemperature Speed reverse
<b>Input and Output</b>		
Number of digital input	Nr.	5
Digital input type		Selectable PNP or NPN logic
Number of digital output	Nr.	2
Digital output arrangement		1 relay output with changeover contact (C/O-SPDT) + 1 NO relay output
Output contacts ratings		1A 250VAC, 1A 30VDC
Number of analog input	Nr.	2

Analog input type		1 voltage input type 0...10VDC or -10...+10VDC, 1 current input type 0/4...20mA
Number of analog output	Nr.	1
Analog output type		0...10VDC

**Ambient conditions**

Temperature	Operating temperature	min	°C	-10
		max	°C	+50
		Current derating		Over 45°C
	Storage temperature	min	°C	-20
		max	°C	+65

Relative humidity	%	<95% (with no condensing)
-------------------	---	---------------------------

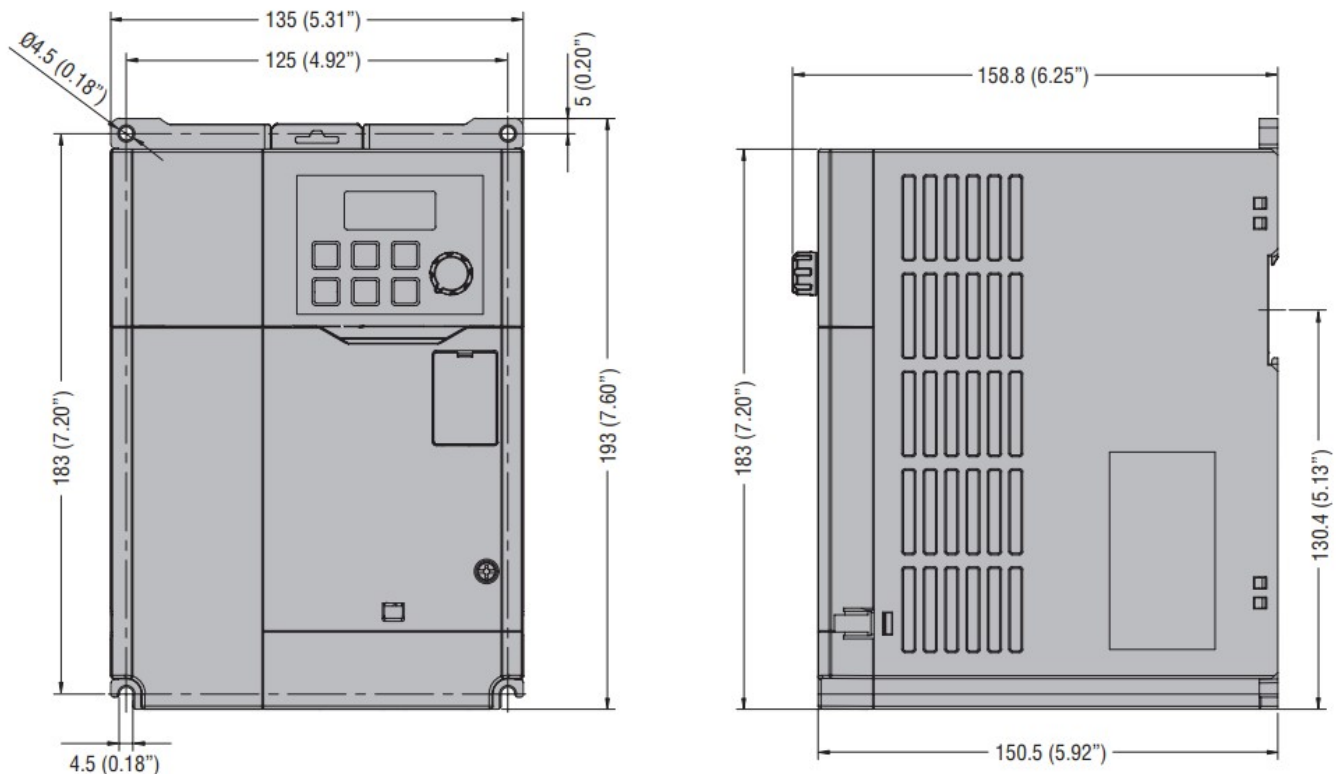
Max altitude	m	4000m (over 1000m derate the rated current by 1%/1000m)
--------------	---	---

Maximum Pollution degree		2
--------------------------	--	---

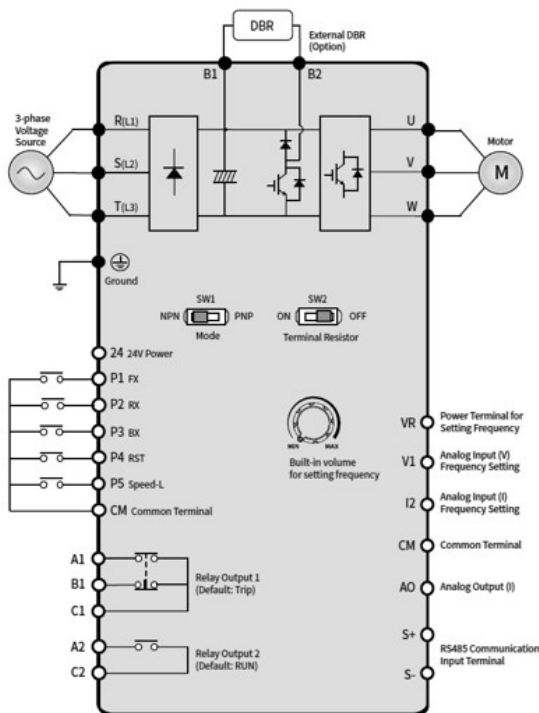
**Housing**

Installation position		Vertical
IP degree of protection		IP20
Dimensions (W x H x D)	mm	135 x 193 x 158.8
Weight	Kg	1.98

**Dimensions**



**Wiring diagrams**



## Certifications and compliance

### Compliance

CSA C22.2 N° 274

EN/BS 61800-3

EN/BS 61800-5-1

UL 61800-5-1

### Certificates

cULus

## ETIM classification

ETIM 8.0

EC001857 -  
Frequency  
converter =< 1 kW