



Preinsulated Butt Splices

General features

- ✓ Tin-plated copper.
- ✓ Barrel with funnel entry.

“N” single crimp series:

- ✓ Polyamide insulation sleeve.
- ✓ Max. operating temperature: +105°C.
- ✓ “Easy entry” conical entry.
- ✓ Flammability rating: UL94V2.

“51000” double crimp series:

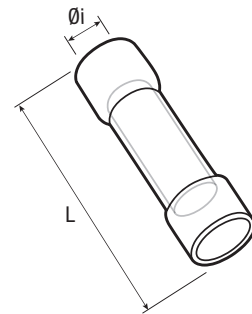
- ✓ Copper sleeve for crimping insulation giving better resistance to vibration.
- ✓ Polycarbonate insulation sleeve.
- ✓ Max. operating temperature: +105°C.
- ✓ Flammability rating: UL94V0.



POLYAMIDE INSULATION



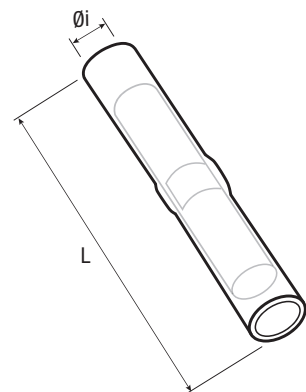
POLYAMIDE INSULATION



Ø i L

Preinsulated Butt Splices N series

mm ²	Item code	Bulk packing	Part No.	Item code	x100 /Box	Part No.	Ø mm	Ø i	L
● 0.34 - 1.5	7276011		NPMJ1	7276012		B100NPMJ1	4	1.7	25.5
● 1 - 2.5	7276021		NPMJ2	7276022		B100NPMJ2	4.5	2.4	25.5
● 2.6 - 6	7276031		NPMJ3	7276028		B100NPMJ3	6.6	3.3	27.5



Ø i L

Preinsulated Butt Splices with Inspection Window 51000 series

mm ²	Item code	Bulk packing	Part No.	Item code	x100 /Box	Part No.	Ø mm	Ø i	L
● 0.34 - 1.5	7282201		51391	7282202		B100-51391	3.6	1.7	32
● 1 - 2.5	7282215		51402	7282213		B100-51402	4	2.4	32
● 2.6 - 6	7282221		51413	7282224		B100-51413	5.5	3.3	41.5

Conductor size (mm²)

Packing

Cable insulation max Ø

Unless otherwise stated, all dimensions are in millimeters.