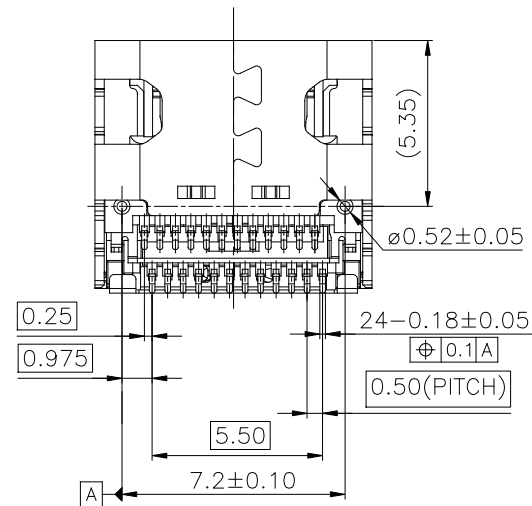
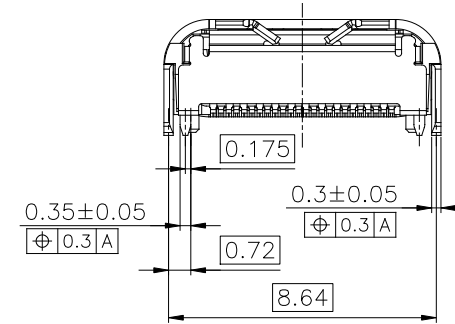
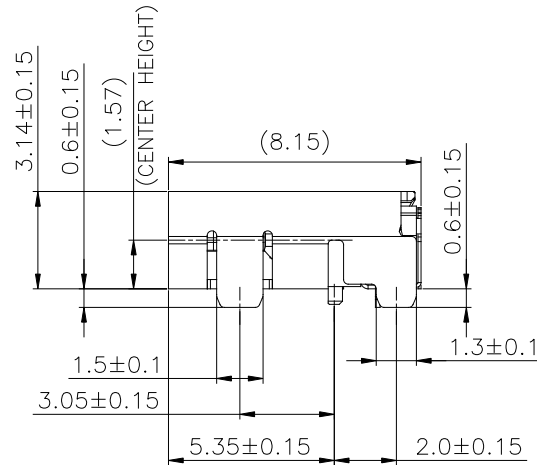
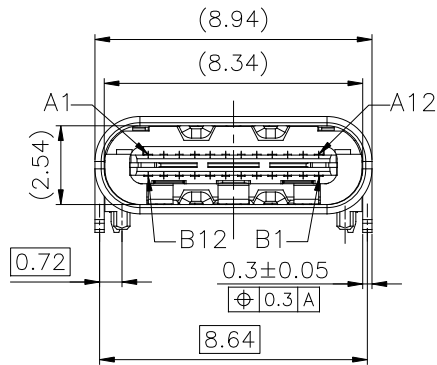
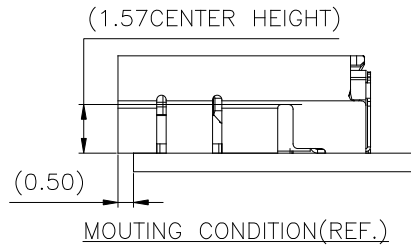
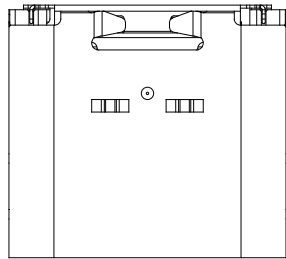
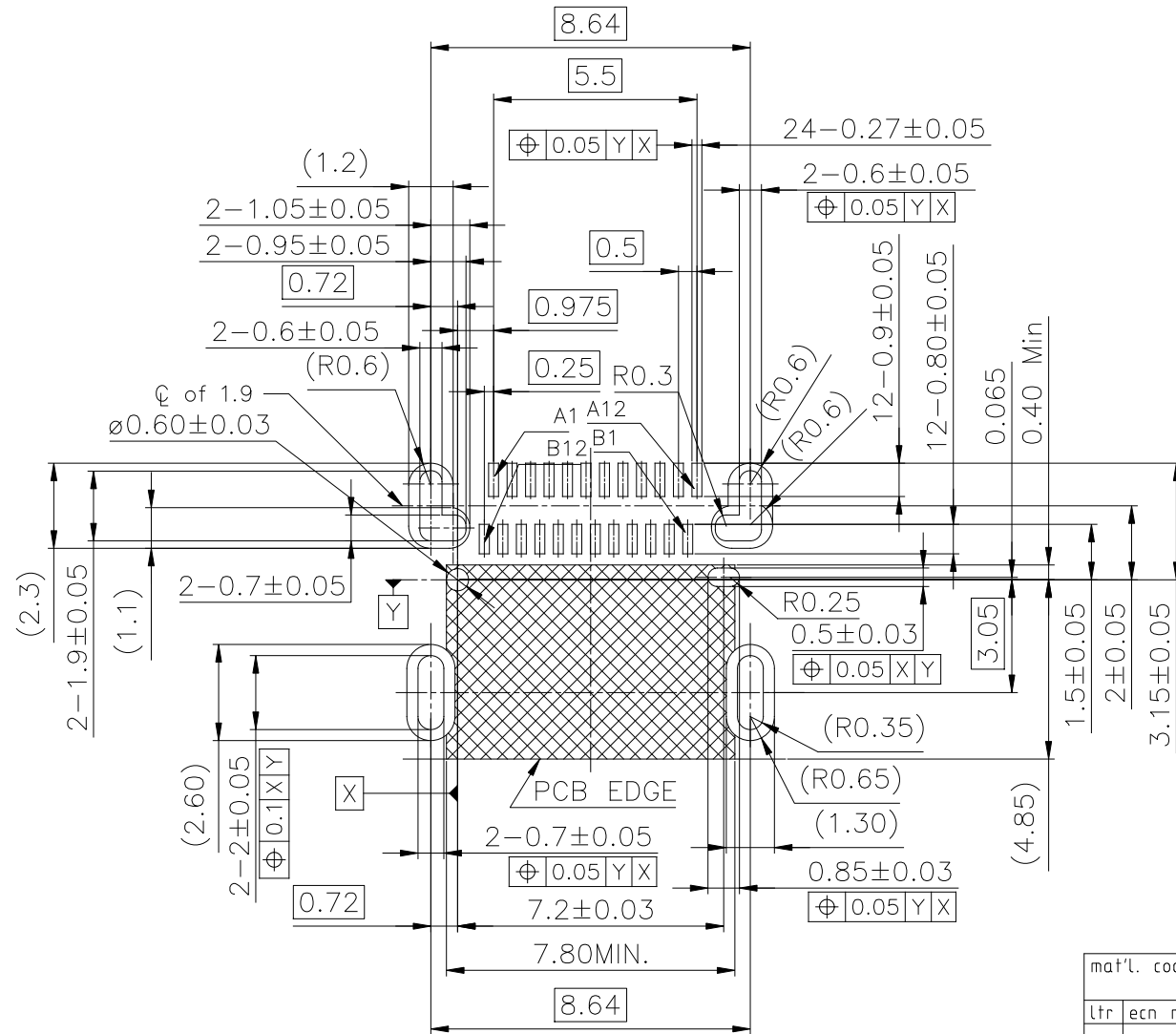


PRODUCT NUMBER
SEE PART NO. SCHEME



⑥	TOP CONTACT	1 SET	COPPER ALLOY	Ni UNDER PLATING. MATTE TIN PLATING ON SOLDER AREA.
⑤	BOTTOM CONTACT	1 SET	COPPER ALLOY	GOLD PLATING ON CONTACT AREA. (SEE P/N SCHEME)
④	SHIELDING PLATE	1 PCS	STAINLESS	Ni PLATING OVERALL.
③	HOUSING	1 PCS	THERMOPLASTIC	UL94V-0, BLACK
②	SHELL	1 PCS	STAINLESS	Ni PLATING OVERALL.
①	TOP SHELL	1 PCS	STAINLESS	Ni PLATING OVERALL.
ITEM	PART NAME	QTY	MATERIAL	REMARK
mat'l. code		surface <input checked="" type="checkbox"/> tolerance		projection
ltr		ecn no		dr
date		tolerances unless otherwise specified		product family
A	TAI	2015-10-06	angles	USB
B	ELX-T-23963	TAI	2016-04-26	title
		X'±3'		USB 3.1 TYPE C RECEPT. R/A SMT AND DIP TAILS
		dr		scale N.T.S.
		enr		Amphenol
		chr		FCI
		appd		10137065
				sheet 1 of 2
				size
				A4
				type
				Product Customer Drawing
sheet	revision	B	B	
index	sheet	1	2	

PRODUCT NUMBER
SEE PART NO. SCHEME



RECOMMENDED PCB LAYOUT
 1. TOP VIEW, PCB TOLERANCE: ±0.05
 2. KEEP AREA CLEAR OF COMPONENTS, VIAS AND ROUTING.

NOTES:

1. ELECTRICAL:
 - 1-1. CONTACT CURRENT RATING:
5.0A FOR VBUS AND GND.
(i.e., Pins A4,A9,B4,B9)
1.25A FOR Vconn AND GND.
(i.e., Pins B5,A1,A12,B1,B12)
0.25A FOR ALL THE OTHERS CONTACTS.
 - 1-2. INSULATION RESISTANCE:
100 MEGAOHMS MIN. AT 250VDC.
 - 1-3. DIELECTRIC WITHSTANDING VOLTAGE:
100VAC MIN.
 - 1-4. LOW LEVEL CONTACT RESISTANCE:
INITIAL: 40mΩ MAX.; AFTER ENVIRONMENTAL TEST: MAX. CHANGE 10mΩ.
2. MECHANICAL CHARACTERISTICS:
 - 2-1. INSERTION FORCE:
5N~20N.
 - 2-2. EXTRACTION FORCE:
8N~20N FROM 1 TO 1000 CYCLES
6~20N FROM 1001 TO 10000 CYCLES.
 - 2-3. DURABILITY:
10,000 MATING CYCLES.
 - 2-4. OPERATING TEMPERATURE:
-55°C TO +85°C
3. CAPABLE TO 260°C REFLOW SOLDER FOR 10 SEC.
4. PRODUCT SPECIFICATION: GS-12-1336
5. PACKAGE SPECIFICATION: GS-14-2487

PART NUMBER SCHEME:

10137065-000 X X LF

CONTACT PLATING
 1. GOLD FLASH
 2. 30u" Au

PACKAGING
 1. TAPE AND REEL

mat'l. code		surface <input checked="" type="checkbox"/> tolerance		projection		product family	
ltr		ecn no		dr		date	
tolerances unless otherwise specified		angles		mm		title	
±0.3		X°±3'		scale N.T.S.		USB 3.1 TYPE C RECEPT. R/A SMT AND DIP TAILS	
dr		KENNY TAI		2015-09-21		dwg no	
enrg		KENNY TAI		2015-09-21		sheet 2 of 2	
chr		KENNY TAI		2015-09-21		size	
appd		PM ZHENG		2015-10-06		A4	
sheet index		revision sheet		B 1		type Product Customer Drawing	
		B 2					