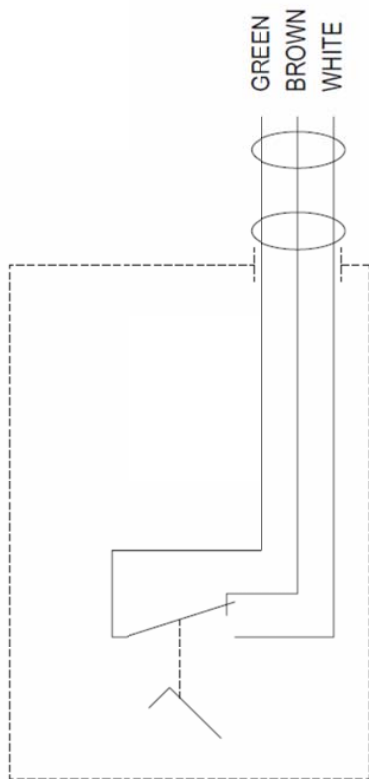
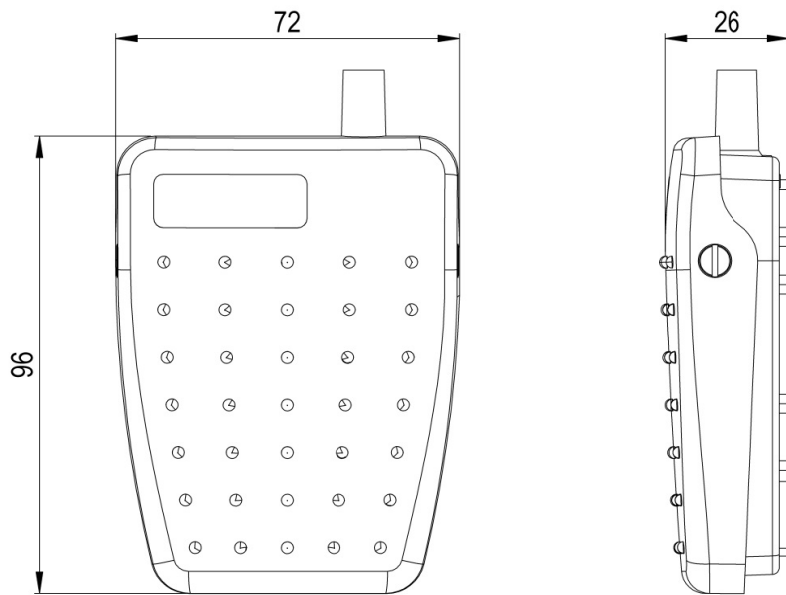


Datasheet

Low Profile Waterproof Footswitch

3A 24V ac/dc

RS Stock No 774-8614



FEATURES:

- Low profile footswitch
- Single pole changeover contacts
- Straight 2 metre long cable
- Enclosure rating IPX7
- Tough, glass filled plastic construction