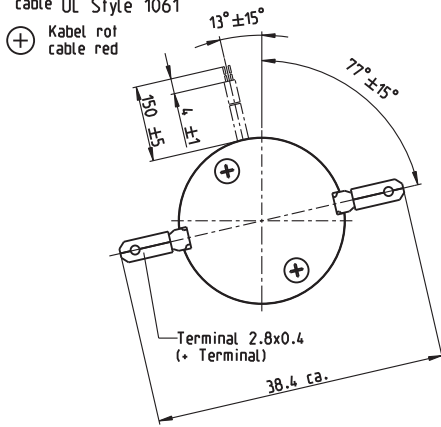
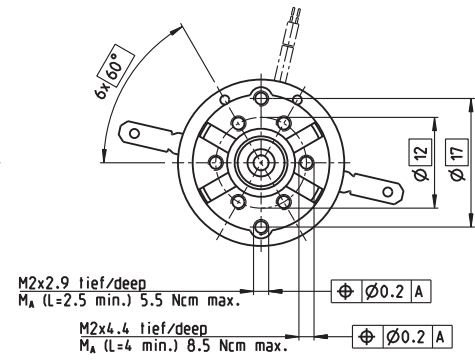
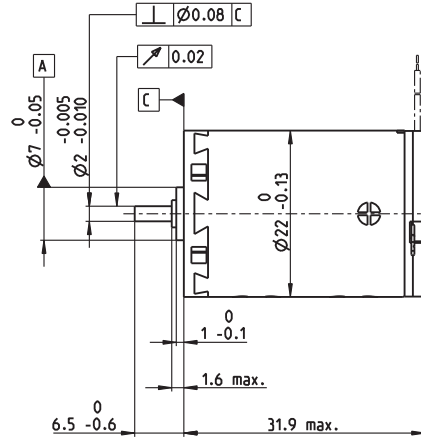


A-max 22 Ø22 mm, Precious Metal Brushes CLL, 5 Watt

Kabel AWG 24/7
cable UL Style 1061
Kabel rot
cable red



M 1:1



- Stock program
- Standard program
- Special program (on request)

Part Numbers

with terminals	110117	110119	110120	110121	110122	110123	110124	110125	110126	110127	110128	110129
with cables	139838	218799	238798	202413	258367	137255	134267	134666	267423	137476	310003	342390

Motor Data

Values at nominal voltage		6	9	9	12	12	15	18	24	30	36	48	48
1	Nominal voltage	V											
2	No load speed	rpm											
3	No load current	mA											
4	Nominal speed	rpm											
5	Nominal torque (max. continuous torque)	mNm											
6	Nominal current (max. continuous current)	A											
7	Stall torque	mNm											
8	Starting current	A											
9	Max. efficiency	%											
Characteristics													
10	Terminal resistance	Ω											
11	Terminal inductance	mH											
12	Torque constant	mNm/A											
13	Speed constant	rpm/V											
14	Speed / torque gradient	rpm/mNm											
15	Mechanical time constant	ms											
16	Rotor inertia	gcm ²											

Specifications

Thermal data		
17	Thermal resistance housing-ambient	20 K/W
18	Thermal resistance winding-housing	6.0 K/W
19	Thermal time constant winding	10.2 s
20	Thermal time constant motor	313 s
21	Ambient temperature	-30...+65°C
22	Max. permissible winding temperature	+85°C
Mechanical data (sleeve bearings)		
23	Max. permissible speed	16000 rpm
24	Axial play	0.05 - 0.15 mm
25	Radial play	0.012 mm
26	Max. axial load (dynamic)	1 N
27	Max. force for press fits (static)	80 N
28	Max. radial load, 5 mm from flange	2.8 N

Mechanical data (ball bearings)		
23	Max. permissible speed	16000 rpm
24	Axial play	0.05 - 0.15 mm
25	Radial play	0.025 mm
26	Max. axial load (dynamic)	3.3 N
27	Max. force for press fits (static)	45 N
28	Max. radial load, 5 mm from flange	12.3 N

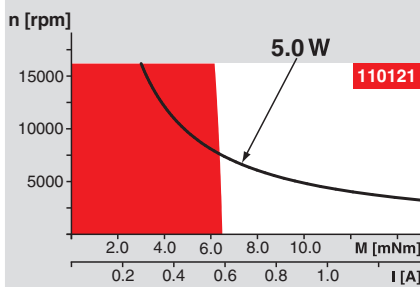
Other specifications		
29	Number of pole pairs	1
30	Number of commutator segments	9
31	Weight of motor	54 g
CLL = Capacitor Long Life		

Values listed in the table are nominal.
Explanation of the figures on page 79.

Option

Ball bearings in place of sleeve bearings
Without CLL

Operating Range



Comments

- Continuous operation**
In observation of above listed thermal resistance (lines 17 and 18) the maximum permissible winding temperature will be reached during continuous operation at 25°C ambient.
= Thermal limit.
- Short term operation**
The motor may be briefly overloaded (recurring).
- Assigned power rating**

maxon Modular System

Overview on page 20–25

Planetary Gearhead

Ø22 mm
0.1 - 0.6 Nm
Page 260/261

Planetary Gearhead

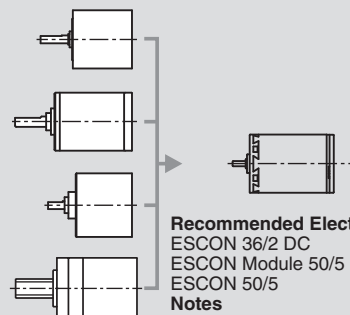
Ø22 mm
0.5 - 2.0 Nm
Page 262/264

Spur Gearhead

Ø24 mm
0.1 Nm
Page 269

Spindle Drive

Ø22 mm
Page 299/300



Recommended Electronics:

ESCON 36/2 DC	Page 342
ESCON Module 50/5	343
ESCON 50/5	344
Notes	22