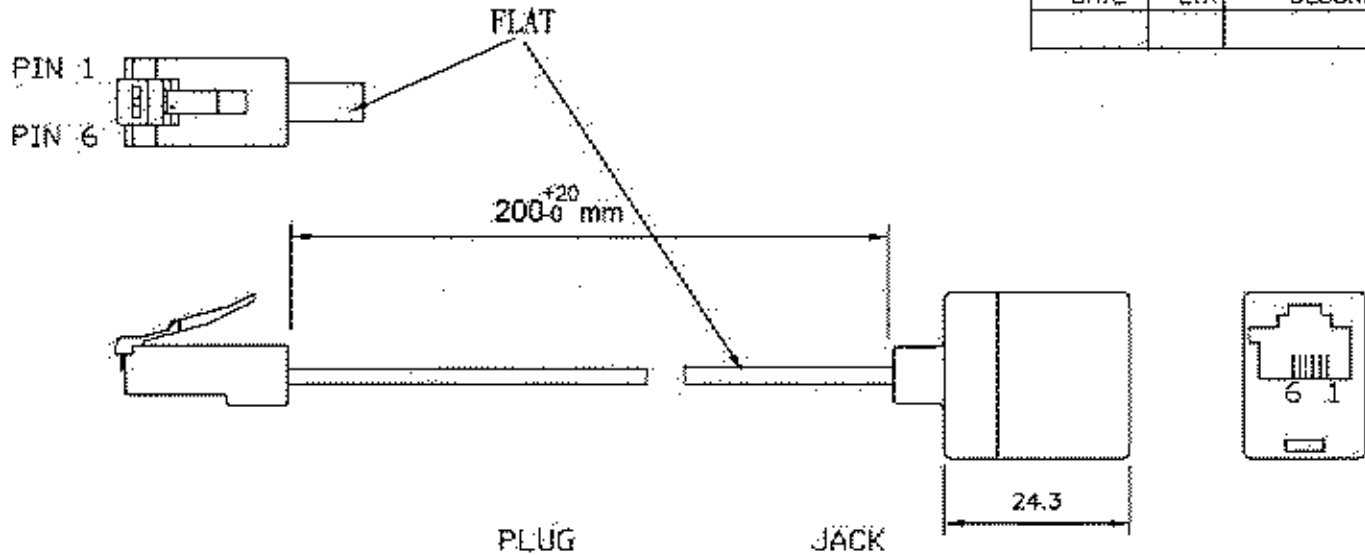


REVISIONS			
DATE	LTR	DESCRIPTION	APVD



- | | | |
|---|-------|---|
| 1 | _____ | 1 |
| 2 | _____ | 2 |
| 3 | _____ | 3 |
| 4 | _____ | 4 |
| 5 | _____ | 5 |
| 6 | _____ | 6 |

Material

Housing: ABS Resin UL94V-0
 Color: Beige
 Contacts: Phosphor Bronze
 Contact Plating: Gold over Nickel
 Cable: TELE-FLAT CABLE 26AWG 6C



UNLESS OTHERWISE SPECIFIED TOLERANCE : X ±0.2 ANGLES : ±2° XX ±0.1 XXX ±0.05 DO NOT SCALE DRAWING		TITLE Modular Extension Lead	
DRAWN BY <i>Arhua</i>	SIZE A	UNIT MM	PART NO. 188-3155
CHECKED BY <i>[Signature]</i>	SCALE 1 : 1	THIRD ANGLE PROJECTION	PAGE 1 OF 1
APPROVED BY <i>[Signature]</i>	DWG NO. DEWX2001061901X0	ITEM NO. SPJ-6C+2M	DATE 08/19/2001