



ENGLISH

Datasheet

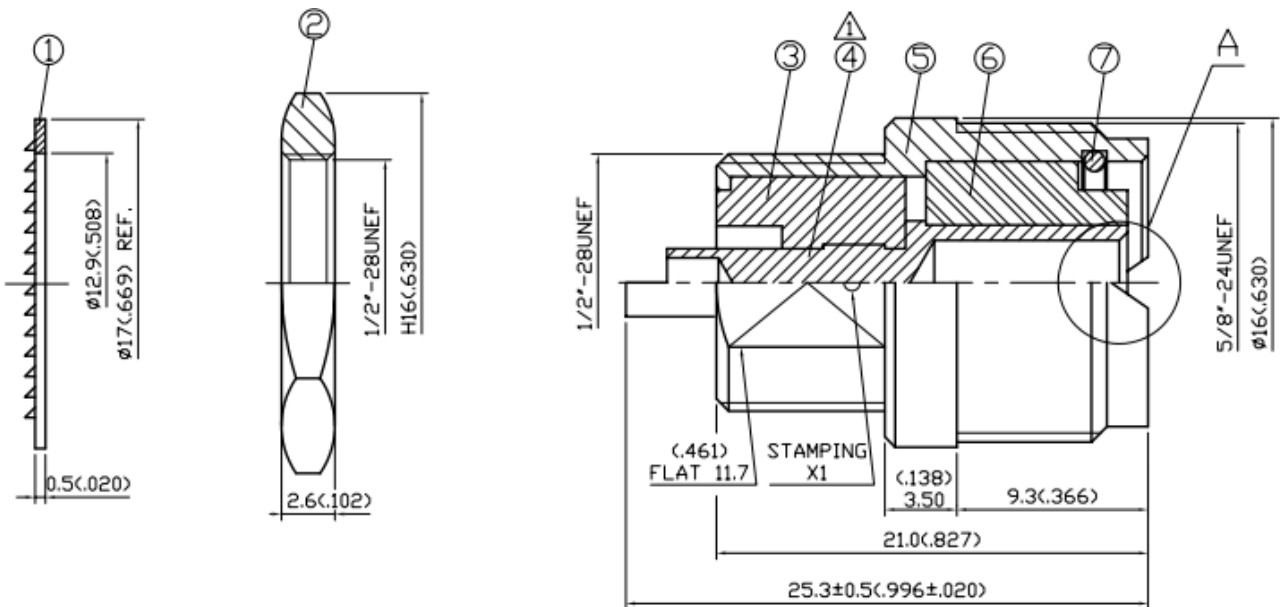
Straight standard Cable Mount UHF Connector, jack, Solder Termination

RS Stock number [546-2627](#)



Specifications:

Body Orientation	Straight
Gender	Female
Mounting Type	Cable Mount
Size	Standard
Termination Method	Solder


NOTES: UNLESS OTHERWISE SPECIFIED

1. BODIES: BRASS PER JIS-C3604
2. CENTER CONTACT: BERYLLIUM COPPER PER JIS-C1730B
3. INSULATION: TEFLON PER ASTM D1457 AND ASTM D1710
4. PART TO BE CLEAN AND FREE OF BURRS

7	SPRING WASHER	SW	1	SILVER 70 μ " MIN.
6	INSULATION	TEFLON	1	NONE
5	BODY	BRASS	1	SILVER 70 μ " MIN.
4	CENTER CONTACT	BERYLLIUM COPPER	1	SILVER 70 μ " MIN.
3	INSULATION	TEFLON	1	NONE
2	NUT	BRASS	1	SILVER 70 μ " MIN.
1	WASHER	IRON	1	SILVER 70 μ " MIN.
NO	DESCRIPTION	MATERIAL	Q' TY	FINISH