

CCM03 Mk II Connectors

ITT Cannon has developed a new range of CCM03 connectors to interface with mini Smart cards as defined by GSM11-11 and EMV1375-1. The connectors are available with either hinged covers or fixed covers and have been designed to minimise the amount of space needed for PCB mounting.

Features

Hinged Cover

- Available with 6 or 8 contacts, with or without PCB locating pegs.

The cover springs open when unlocked while the card is in place.

- The moulding is polarised so that the cover can only be closed if the card is correctly inserted.
- The cover can be replaced without removing the connector from the PCB
- Inspection slots allow an electrical test to be made without opening the cover.
- The overall height of the connector is only 2.5mm (.098 inch). The amount of space needed to mount the connector is just 29.65mm (1.167 inch) x 17.2mm (.677 inch).

Fixed Cover

- Available with 6 or 8 contacts.

The overall height of the connector is just 2.5mm (.098 inch). Only 25.5mm (1.003 inch) x 17.2mm (.677 inch) of board space is required to mount the connector.

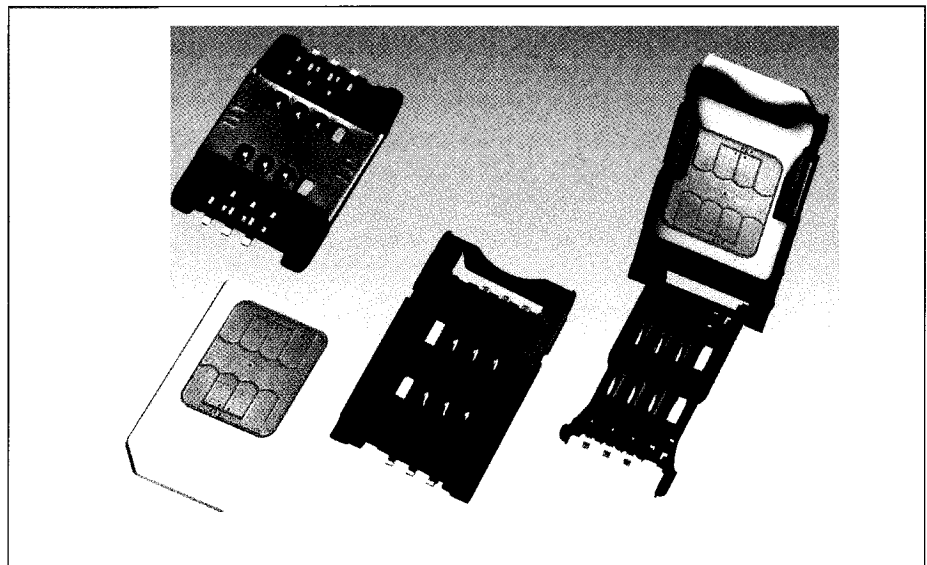
General

- With tape and reel packaging as standard, the connectors are designed to be automatically pick-and-placed.

The high temperature thermoplastic mouldings are suited to infra-red and convection soldering processes.

By using an inlay finish in the contact area the life of the precious metal is extended by over 10 times that of standard gold plating.

Robustly formed printed circuit tails allow a coplanarity of $\pm 0.05\text{mm}$ (.002 inch) to be maintained.



Specifications

MATERIALS

Contacts	Copper alloy
Plating	Contact area: Gold alloy inlay
	Terminals: Tin lead
Slide lock/metal cover	Stainless steel
Mouldings	High temperature thermoplastic, UL94V-0 rated

MECHANICAL

Mechanical life	10,000 cycles minimum
Contact force	0,5N maximum/0,25N minimum

ELECTRICAL

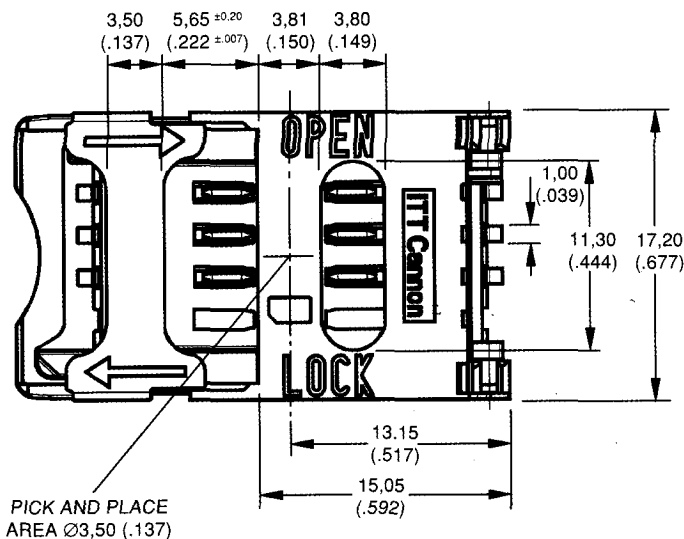
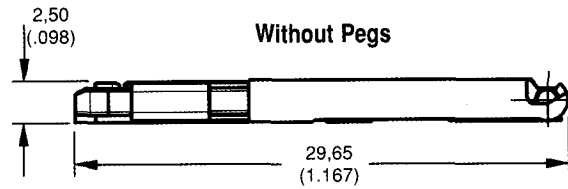
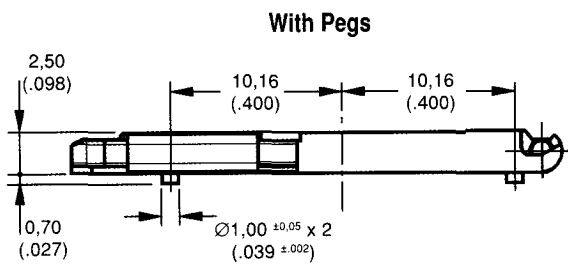
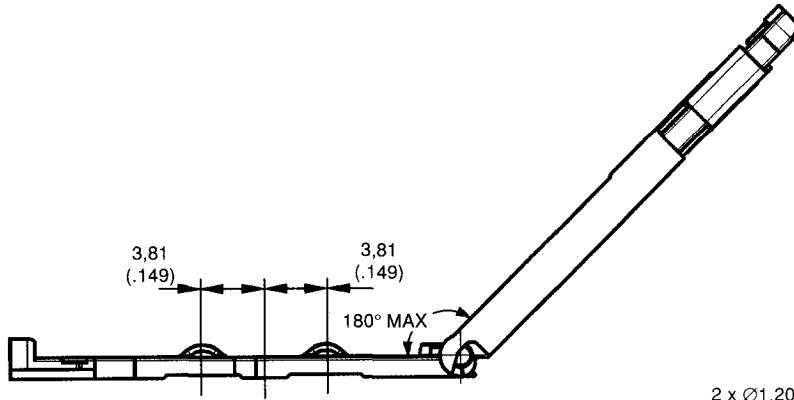
Insulation resistance	1000 M Ω minimum
Contact resistance	100 m Ω maximum
Current rating	10 μA minimum / 1 A maximum
DWV	750 Vrms minimum

ENVIRONMENTAL

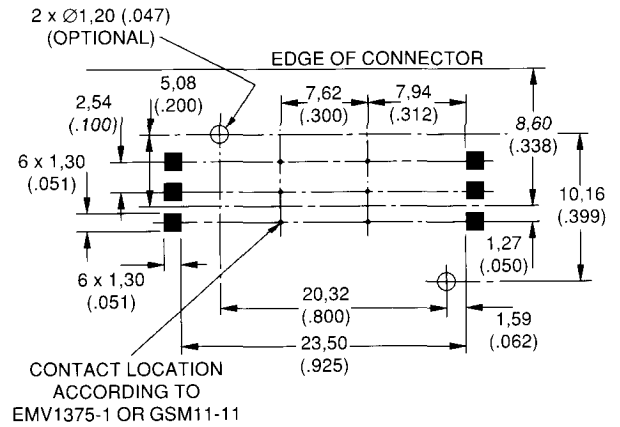
Operating temperature	-40°C to +85°C
Soldering temperature	Temperature/time profile acc. to CECC 00802 para. 6.1, Fig 3

Miniature Connectors for Micro SIM/SAM Cards

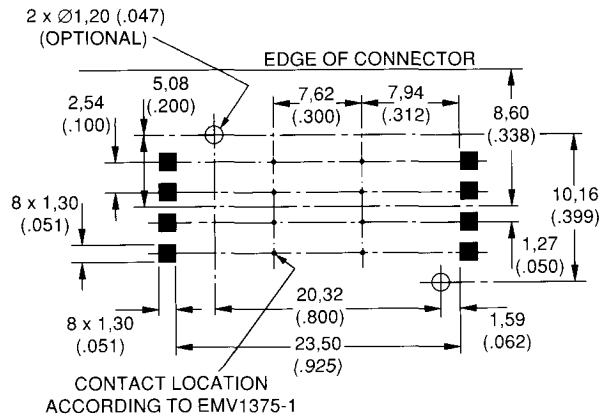
CCM03-3001/3002/3003/3004. Hinged Cover



PCB Configuration CCM03-3001/3002



PCB Configuration CCM03-3003/3004



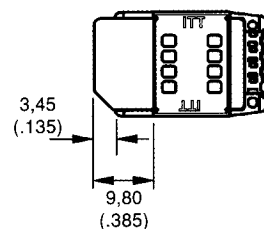
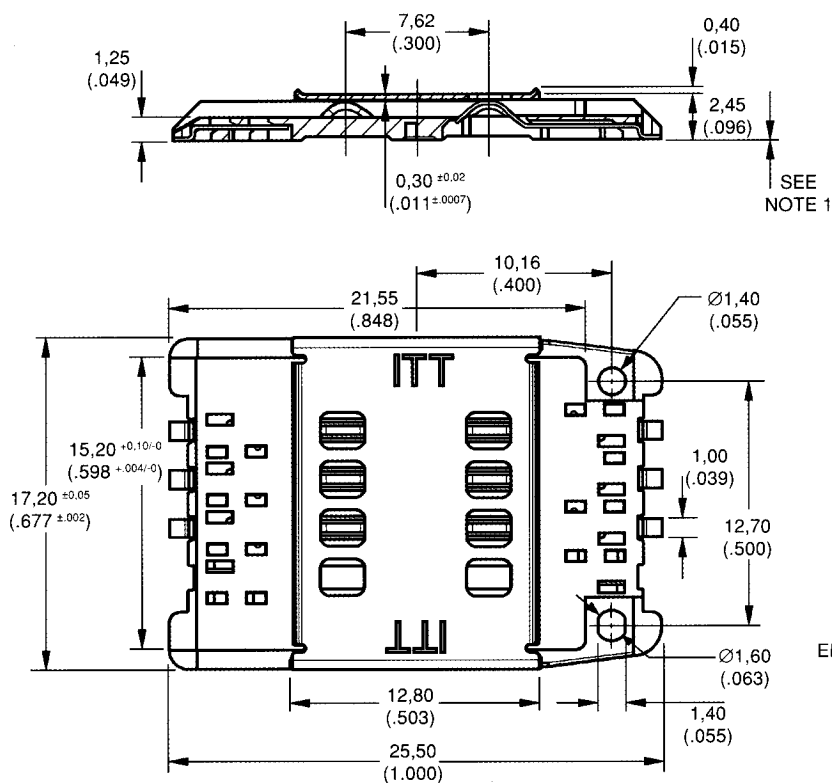
NOTE
COPLANARITY OF SOLDERING SURFACES $\pm 0,05 (.002)$.

Part Number	Number of Contacts	Pegs
CCM03-3001	6	No
CCM03-3002	6	Yes
CCM03-3003	8	No
CCM03-3004	8	Yes

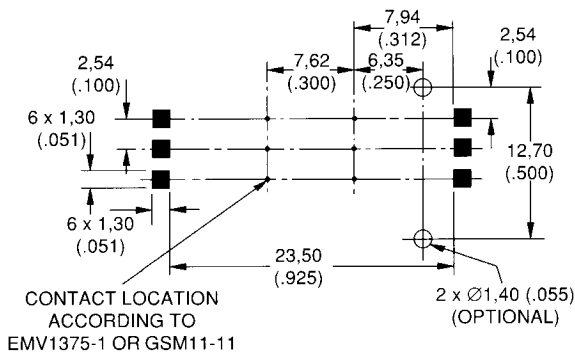
Unless otherwise stated tolerances are $\pm 0,10\text{mm} (.004\text{ inch})$.

Miniature Connectors for Micro SIM/SAM Cards

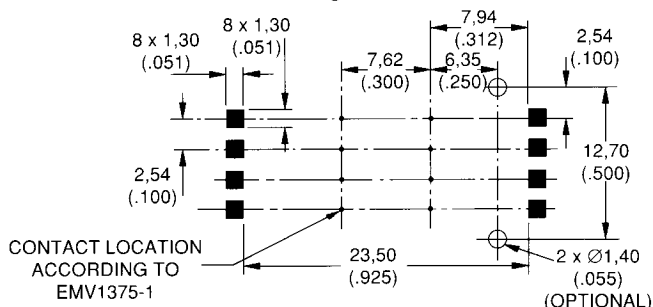
CCM03-3505 – 6 contacts / CCM03-3504 – 8 contacts. Fixed Cover



PCB Configuration CCM03-3505



PCB Configuration CCM03-3504



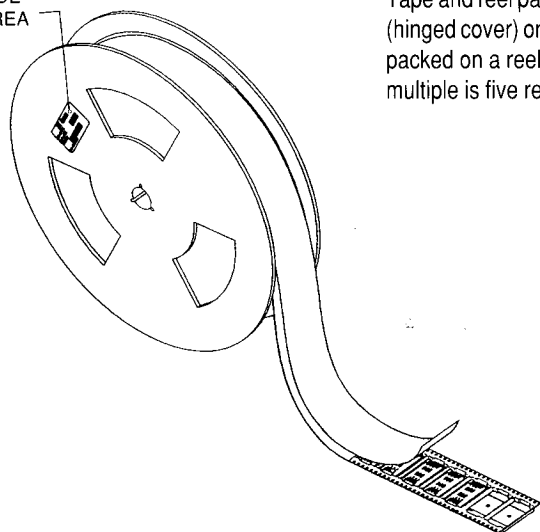
NOTE 1
COPLANARITY OF SOLDERING SURFACES ±0,05 (.002).

Unless otherwise stated tolerances are ±0,10mm (.004 inch).

For more detailed information please contact your local Sales Office.

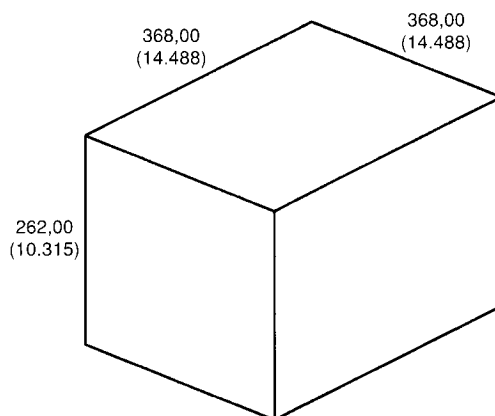
Packaging

BAR CODE LABEL AREA



Reel

Tape and reel packaging is standard, with 1000 (hinged cover) or 1200 (fixed cover) connectors packed on a reel. Please note that the packing multiple is five reels per box.



Box

ITT Cannon

Dimensions are shown in mm (inch)
Dimensions subject to change

ITT Cannon Worldwide Facilities

Austria:

Afrikanergasse 3
1020 Vienna
FAX: 43.1.2160948 PH: 43.1.2160947

Benelux:

Rue Col. Bourg Str. 105A
1140 Brussels, Belgium
FAX: 32.2.7269201 PH: 32.2.7267594
Netherlands
FAX: 31.35.691.8796 PH: 31.35.691.6855

China:

No. 24, Block 2
Taohuawu New District
Zhenjiang, Jiangsu
P.R.C.
FAX: 86.511.442.8616 PH: 86.511.443.3399

Denmark:

Park Allé 287 A
2605 Brøndby
FAX: 45.43.43.58.58 PH: 45.43.45.52.88

France:

2, Ave des Sablons Bouillants,
77109 Meaux Cedex
FAX: 33.1.64.33.16.82 PH: 33.1.60.24.51.51

Germany:

Postfach 11 20
71365 Weinstadt (letters)
Cannonstrasse 1
71384 Weinstadt (parcels)
FAX: 49.7151.699.217 PH: 49.7151.699.0

Hong Kong:

906 New World Office Building
West Wing, 20 Salisbury Road
Tsim Sha Tsui, Kowloon
FAX: 852.2732.2919 PH: 852.2732.2720

Israel:

Aro-Tech
14 Hamashot St, POB 44 47
75143 Rishon Lezion
FAX: 972.3.951.31.01 PH: 972.3.951.30.99

Italy:

Via Panzeri 10
20123 Milano
FAX: 39.2.8372036 PH: 39.2.581801

Japan:

5362-1, 5-chome, Hibarigaoka,
Zama-shi, Kanagawa-ken 228
FAX: 81.462.57.1680 PH: 81.462.57.2010

Korea:

620 Changkang Bldg.
#22, Dohwa-dong, Mapo-ku
Seoul
FAX: 82.2.717.7330 PH: 82.2.702.7111

Norway:

Frank El-Mek A/S
Postboks 42, Smestad
0309 Oslo
FAX: 47.22.50.32.05 PH: 47.22.50.70.20

Spain:

Edificio Italia 1a planta
Parque Empresarial San Fernando
San Fernando de Henares
28831 Madrid
FAX: 34.1.656.16.79
FAX: 34.1.656.15.83 PH: 34.1.656.03.11

Sweden:

Norr Mälarstrand 64, Jaktvarvet 1,
11235 Stockholm
FAX: 46.8.650.0072 PH: 46.8.650.0071

Switzerland:

Herzogenmühle 18
8304 Wallisellen
FAX: 41.1.830.3104 PH: 41.1.830.3888
FAX: 41.1.830.3104 PH: 41.1.830.3613

United Kingdom:

Jays Close, Viables Estate
Basingstoke, Hants, RG22 4BW
FAX: 44.1256.323356 PH: 44.1256.311200

United States:

666 E. Dyer Road
Santa Ana, CA 92705-5612
FAX: 1.714.754.2142 PH: 1.714.557.4700

Internet:

<http://www.ittcannon.com>

ITT Cannon manufactures the highest quality products available in the marketplace; however these products are intended to be used in accordance with the specifications in this publication. Any use or application that deviates from stated operating specifications is not recommended and may be unsafe. No information and data contained in this publication shall be construed to create any liability on the part of ITT Cannon. Any new issue of this publication shall automatically invalidate and supersede any and all previous issues. **A limited warranty applies to ITT Cannon products. Except for obligations assumed by ITT Cannon under this warranty, ITT Cannon shall not be liable for any loss, damage, cost of repairs, incidental or consequential damages of any kind, whether or not based on express or implied warranty, contract, negligence, or strict liability arising in connection with the design, manufacture, sale, use, or repair of the products.** Product availability, prices and delivery dates are exclusively subject to our respective order confirmation form; the same applies to orders based on development samples delivered. This publication is not to be construed as an offer. It is intended merely as an invitation to make an offer. By this publication, ITT Cannon does not assume responsibility or any liability for any patent infringements or other rights of third parties which may result from its use. Reprinting this publication is generally permitted, indicating the source. However, ITT Cannon's prior consent must be obtained in all cases.