



General characteristics

Rated power supply voltage		380...480VAC 50/60Hz
Rated output voltage	VAC	Three-phase 0... 480VAC 0-400Hz
Rated output current	A	1.3
Rated output power	kW	0.4
Rated output power	HP	0.5
EMC filter		Built-in EMC suppressor cat. C3
Communication port		RS485, Modbus- RTU

Technical features

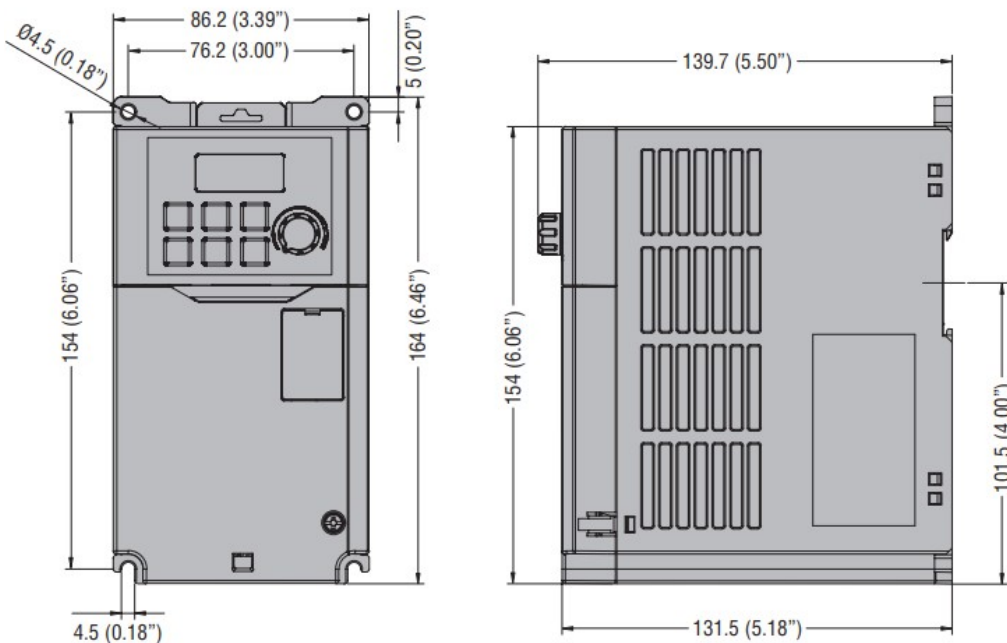
Input type		Three-phase
Rated mains voltage	VAC	380...480
Operating mains voltage range	VAC	323...528
Rated mains frequency	Hz	50/60
Operating mains frequency range	Hz	47.5...63
Output type		Three-phase
Output voltage range	VAC	0...480
Output frequency range	Hz	0...400
Current overload	%/s	150% for 60s (heavy load); 120% for 60s (standard load)
Brake chopper		Yes
Switching frequency		2...15kHz

Functions

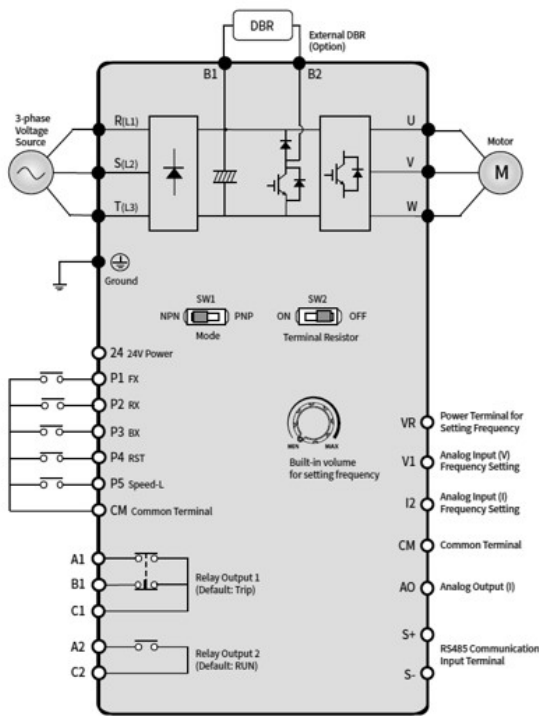
Motor control modes		V/f linear, V/f quadratic, V/f custom, sensorless vector control
---------------------	--	--

Speed reference signals		External potentiometer 0...5kΩ Voltage signals: 0...10VDC or -10...+10VDC Current signals: 0/4...20mA Buttons on front keyboard Front potentiometer Preset speeds Modbus
3-wire control		Yes
S-shape curves		Yes
Slip compensation		Yes
Flying restart		Yes
Access to DC bus		No
DC braking		Yes
DC injection at start		Yes
PID control		Yes
Sequencer (programmable frequency/time cycles)		No
Preset speeds		Yes
Autotuning		Yes
Safe torque Off (STO) safety function		No
PTC probe input		No
Protections		Overcurrent Output short circuit and earth/ground leakage Overvoltage Undervoltage Phase loss Motor heat overload (i2t) Overtemperature Speed reverse
Input and Output		
Number of digital input	Nr.	5
Digital input type		Selectable PNP or NPN logic
Number of digital output	Nr.	2
Digital output arrangement		1 relay output with changeover contact (C/O-SPDT) + 1 NO relay output
Output contacts ratings		1A 250VAC, 1A 30VDC
Number of analog input	Nr.	2

Analog input type	1 voltage input type 0...10VDC or -10...+10VDC, 1 current input type 0/4...20mA		
Number of analog output	Nr.	1	
Analog output type	0...10VDC		
Ambient conditions			
Temperature	Operating temperature	min °C	-10
		max °C	+50
		Current derating	Over 45°C
	Storage temperature	min °C	-20
		max °C	+65
Relative humidity		%	<95% (with no condensing)
Max altitude		m	4000m (over 1000m derate the rated current by 1%/1000m)
Maximum Pollution degree			2
Housing			
Installation position	Vertical		
IP degree of protection	IP20		
Dimensions (W x H x D)	mm	86.2 x 164 x 139.7	
Weight	Kg	1.04	
Dimensions			



Wiring diagrams



Certifications and compliance

Compliance

CSA C22.2 N° 274

EN/BS 61800-3

EN/BS 61800-5-1

UL 61800-5-1

Certificates

cULus

ETIM classification

ETIM 8.0

EC001857 -
Frequency
converter =< 1 kW