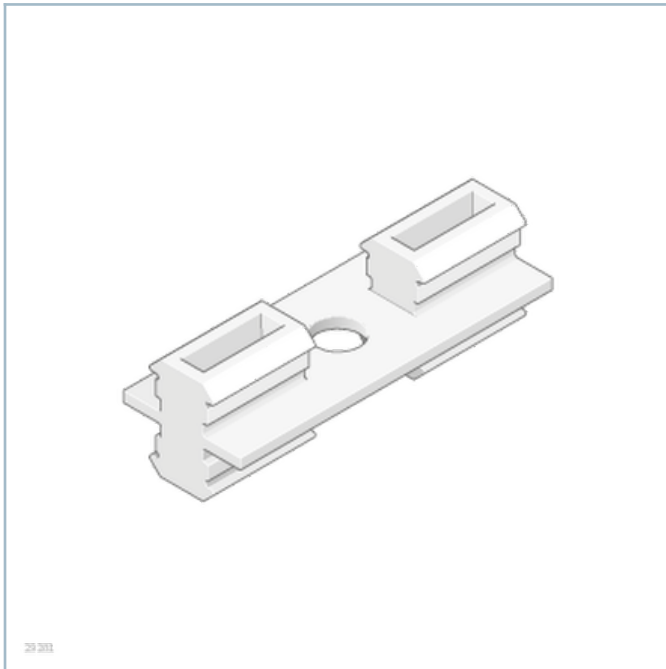
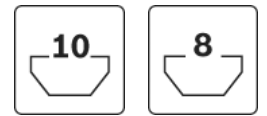
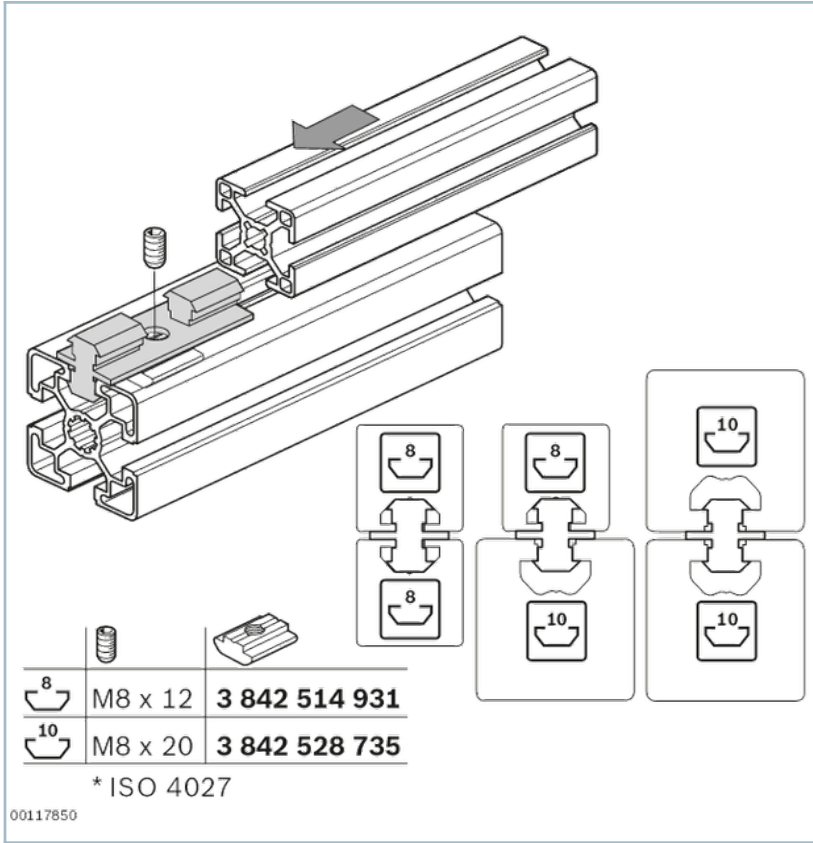


Multi-slider



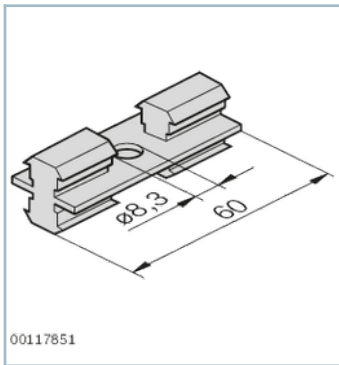
- Multi-slider for constructing low-wear guides
- Suitable for all profiles with 8 mm and 10 mm slot widths
- Combination of profiles with different slot widths possible

Product description

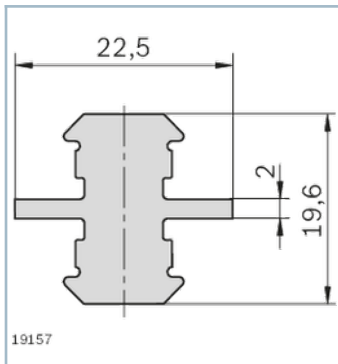


Dimensions

Multi-slider 8/10



Multi-slider 8/10

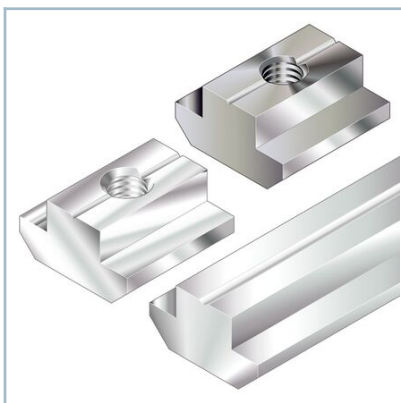


Accessories



Sliding block, sliding block profile, slot 8


- Sliding block for reliable absorption of high forces
- Sliding block profile for self-assembly of individual fastening elements
- The spring assists with the assembly and positioning of the sliding block and swivel-in sliding block



Sliding block, sliding block profile, slot 10

- Sliding block for reliable absorption of high forces
- Sliding block profile for self-assembly of individual fastening elements
- The spring assists with the assembly and positioning of the sliding block and swivel-in sliding block

Ordering codes

	Groove		No.
Multi-slider 8/10	8; 10	10	3842513517