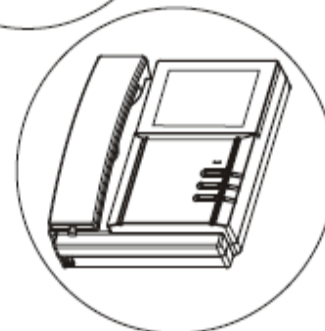
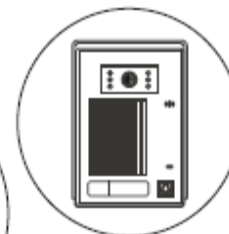




# Operation and installation guide

## └ Multi-door video entry system ─



- LCC SYSTEM CONFIGURATION DIAGRAM ----- ❶
- LCC SYSTEM ALL OUTDOOR STATION ----- ❷
- VIDEO DOORPHONE ----- ❸
- WIRING CONNECTIONS ----- ❹
- OPERATION ----- ❺
- LCC SYSTEM ALL OUTDOOR STATION INSTALLATION ----- ❻
- LCC SYSTEM ALL INDOOR MONITOR INSTALLATION ----- ❼
- TECHNICAL PARAMETER ----- ❽

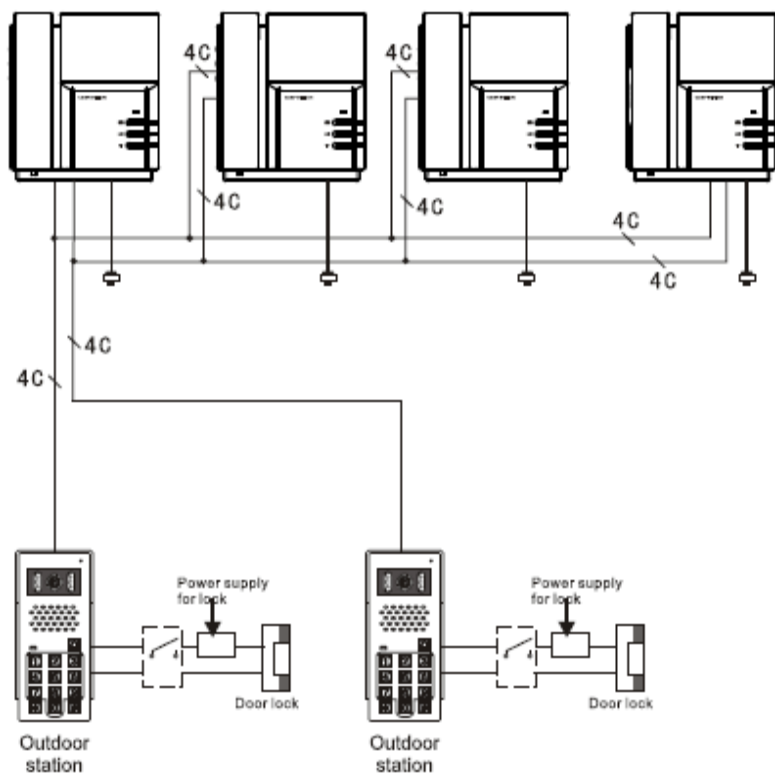
*Luxurious in appearance*

*Unparalleled in technology*

## LCC SYSTEM CONFIGURATION DIAGRAM

### ► LCC SYSTEM WITH TWO ENTRANCE

Indoor monitor built-in power supply

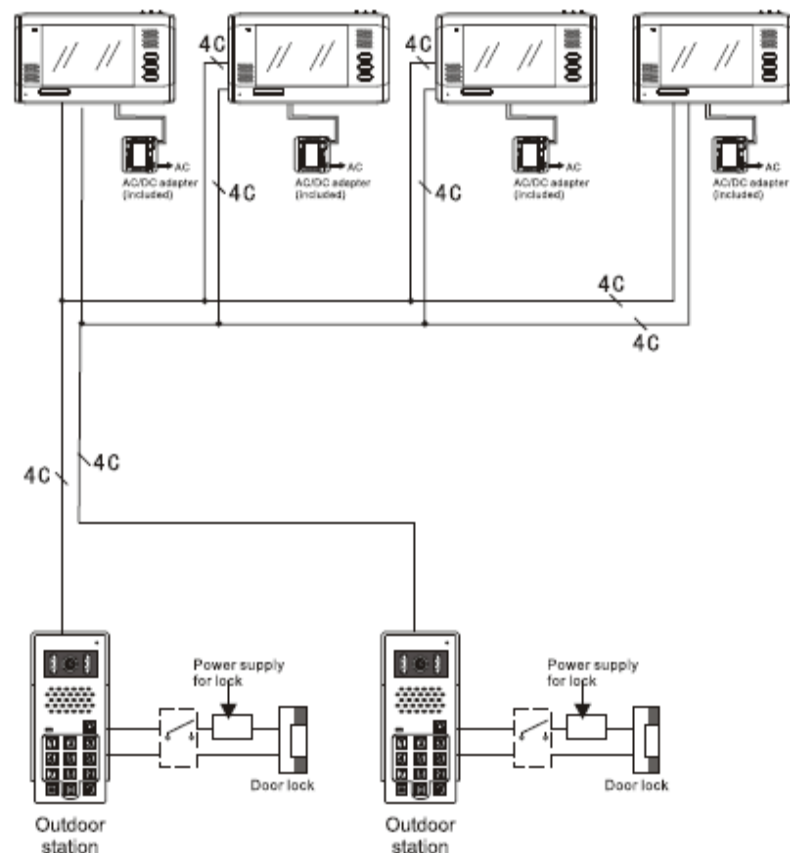


①

## LCC SYSTEM CONFIGURATION DIAGRAM

### ► LCC SYSTEM WITH TWO ENTRANCE

Indoor monitor external power supply

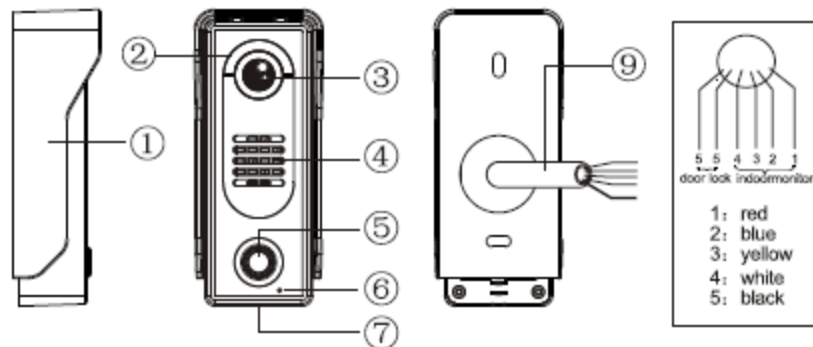


②

## ▶ LCC SYSTEM ALL OUTDOOR STATION

■ SAC5B-CK B/W

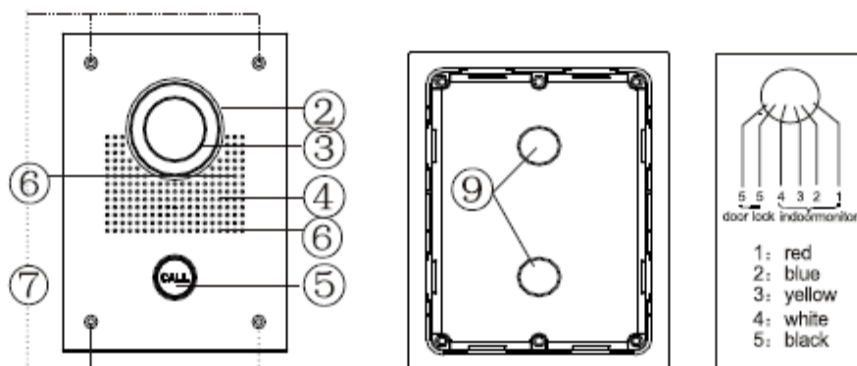
■ SAC5C-CK Color



Dimension: 58X135X39(mm)

■ SAC551B-CK B/W

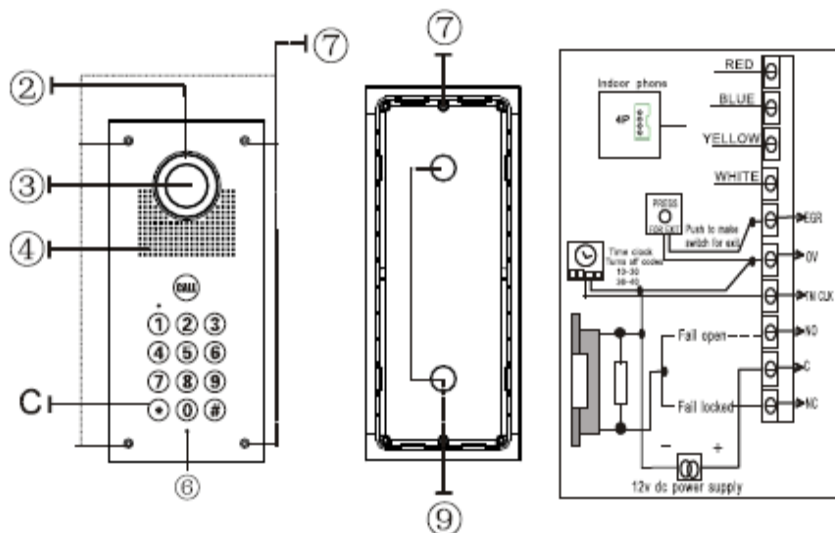
■ SAC551C-CK Color



Dimension: 203X150X43(mm)

■ SAC561B-CK B/W

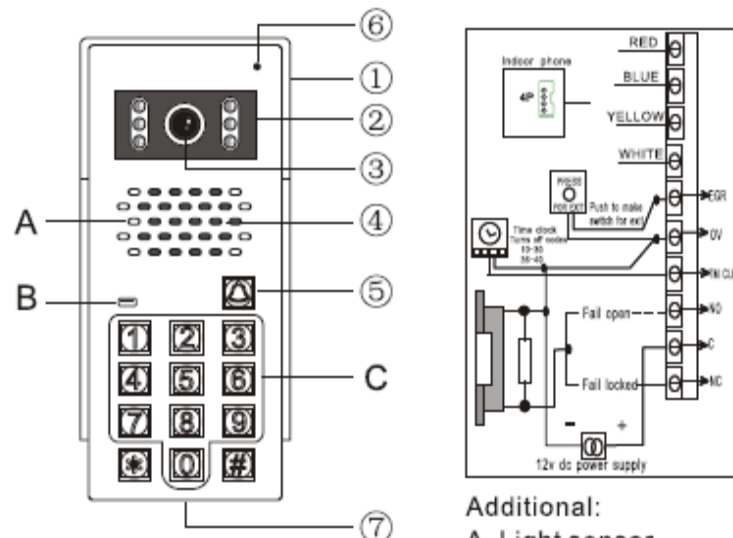
■ SAC561C-CK Color



Dimension: 250x120x43(mm)

■ SAC50B-CK B/W

■ SAC50C-CK Color



Additional:

A. Light sensor

B. LED indicator

C. Keypad access

Dimension: 78X185X60(mm)

NO.	NAME	DESCRIPTION
①	Water Cover	Protect the camera from outside water
②	LED Assistant	Provide lighting during night time for better visibility.
③	CCD Camera	Capture the image to sent to the monitor
④	Speaker	Sound from the monitor is delivered
⑤	Calling Button	Call the indoor phone to communicate
⑥	Microphone	Delivers and sound voice when communication with the indoor phone
⑦	Screw Hole	Install the screws
⑧	Nameplate	Show residential name
⑨	Connection wiring	Connection with the monitor

## Specification



Power	DC 14.5V
Electric current	Working ≤ 200mA
Camera lens	1/3 CCD 72 degree ken
Illumination	0.05LUX
Communication duration	120s
Communication method	Duplex communication type
Working Temperature	-20-55℃
IP rating	55

## Specifications of 50/561 series code access



### ATTENTION

- 1: Input A 4 Digit Password To Have The Door Striked Or The Lock Unlocked.
- 2: The Original Factory Defaulted Password Is \*1234.

### Change the master code

- 1: Shut off the power of the unit and keep pressing the button \*
- 2: switch on the power pressing the button \* down, the unit will then give a long continuous tone.
- 3: when the tone stopped, Another sound will be heaed and input your new 4 digit programmers code.

### Entering programming mode

- 1: press the button \* plus your 4 digit master code.
- 2: you are successfully enter into the programming mode when three sound is heard and the LED is flashing
- 3: press the button \* to exit programming mode.

### Adding user codes

- 1: Enter into the programming mode interface.
- 2: it is available for 40 groups code, 01 to 40 is the group number, which should be input in front of the 4 digit code. from 31 to 40 group codes, input once 4 digit code to open the door for a long time until twice input the same code to have it closed.
- 3: input 4 digit code, a two sound is heard, it is unsuccessful and indicating the code is existent at somewhere; if a three sound is heard, it is successfully set.
- 4: press the button \* to exit.

### Delete user codes

- 1) enter into the programming mode.
- 2) Enter one of the code group from 01 to 40
- 3) press the button # to delete the code of this group
- 4) it is successfully deleted when a three sound heard. press the button \* to exit.

## Delete a codes directly

- 1) enter into the programming mode.
- 2) press the button # to hear a two sound.
- 3) input 4 digit code that wanted to deleted
- 4) it is successfully deleted when a three sound heard. press the button \* to exit.

## Delete all codes

- 1) enter programming mode .
- 2) press the button # to hear a two sound.
- 3) one more press the button # to hear another two sound.
- 4) continuously press the button # at 7 times to have the system deleted all setting. Unlocking time change to be second while original code won't be changed. The system will resume after a five sound heard.

## Set the locking time

Factory set is 05 second.

- 1) enter programming mode .
- 2) Enter 00 (this is a special code group)
- 3) enter a desired lock/delay operation time in a two digit format (01 to 99 seconds )
- 4) press the button \* to exit.

## LCC SYSTEM ALL INDOOR MONITORS

### VIDEO DOORPHONE

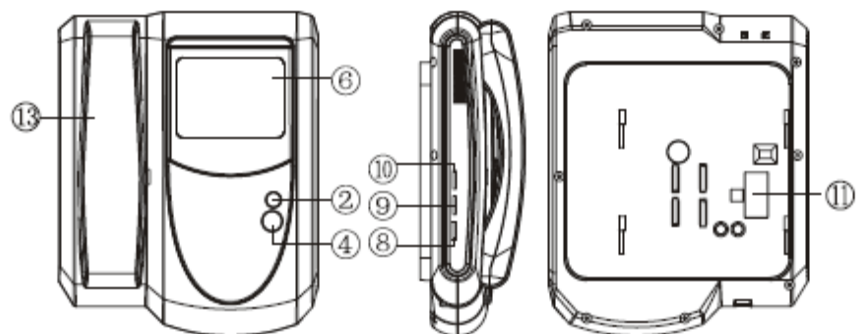
- Handset monitor; MT210B-CK2U MT210C-7CK2U MT200B/C-CK2
- Hand-free monitor; MT320C-CK2 MT333C-CK2 MT181B/C-CK2  
MT37XC-CK2U MT373C-CK2 MT18B/C-CK2  
MT350C-CK2 MT360C-CK2 MT300C-CK2

NO	Icon	Description	NO	Icon	Description
①		Microphone	⑧	🔊	Talking volume
②	📺	Monitor	⑨	☼	Brightness
③	📴	Hang off	⑩	🎨	Chroma/contrast
④	🔓	Door lock releasing	⑪		System terminal
⑤	🗣️	Talking	⑫	📞	Calling
⑥		TFT display/CRT	⑬		Receiver
⑦		Speaker	⑭		Indicated light

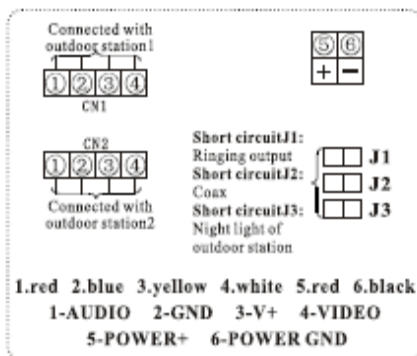
### CAUTION:

- 1: when connect more than one indoor monitor please short circuit J2 of the far the most monitor and open J2 of other monitors.
- 2: when connect more than one indoor monitor please short circuit J1 and J3 of the closest monitor and open J1 and J3 of other monitors.

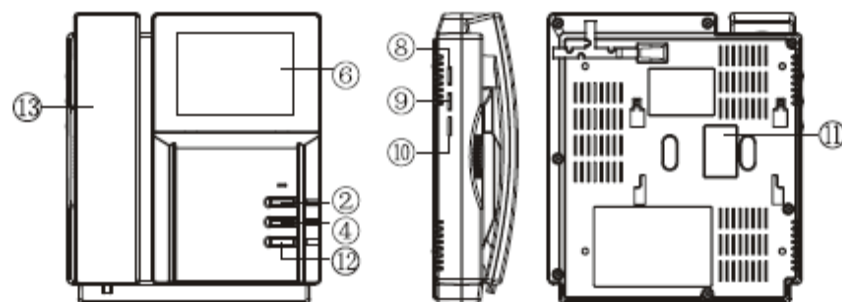
■ **Hand-free monitor: MT200B/C-CK2**



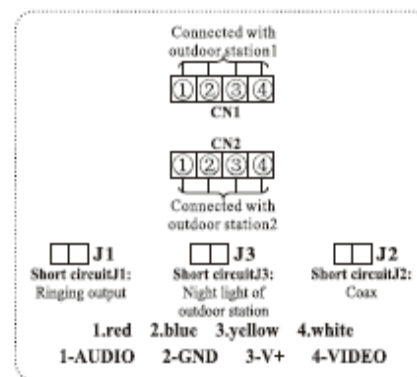
**Dimension: 243x198x79(mm)**



■ **Hand-free monitor: MT210B-CK2U/MT210C-7CK2U**



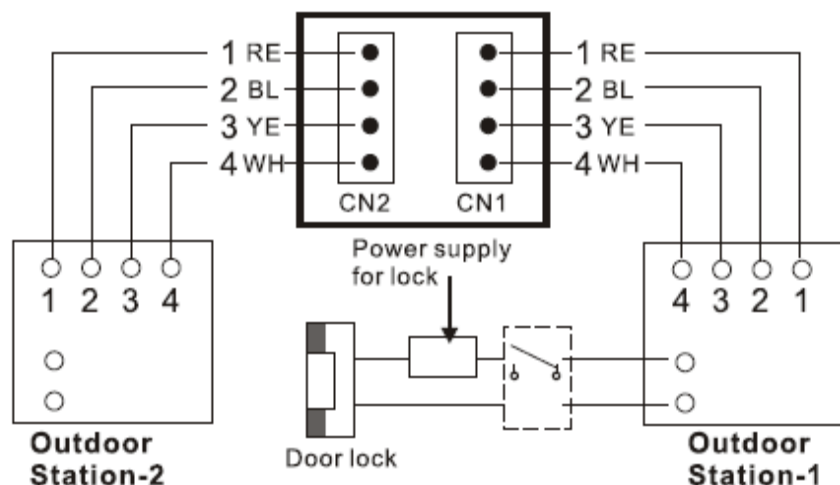
**Dimension: 220x110x28(mm)**



# SYSTEM DIAGRAM

## Wiring connections

1.red 2.blue 3.yellow 4.white  
 1-AUDIO 2-GND 3-V+ 4-VIDEO



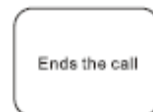
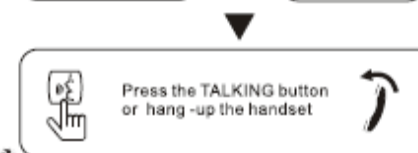
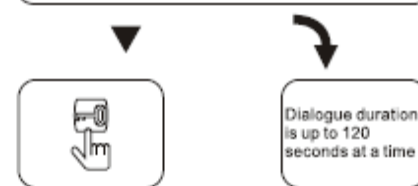
**Notice:** Socket CN1 is just retained for outdoor station in alone villa system (like as a outdoor unit is matched with a indoor unit), please recheck seriously the polarity of CN1 and have the 4-wire connected as per the enclosed label.

# Operation

## Visitor call

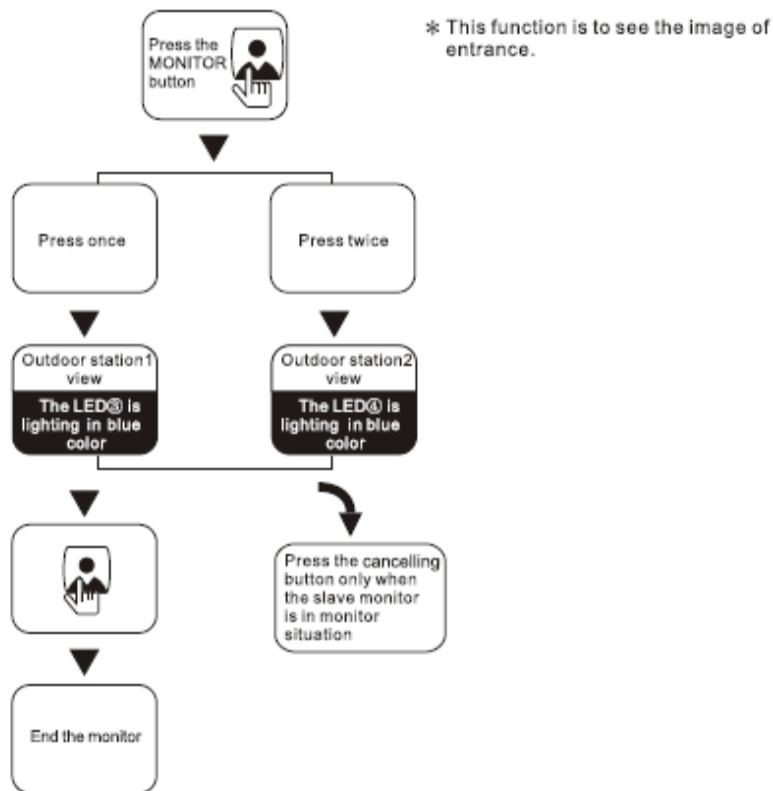


\* A view of the front door can be seen anytime the entrance button is pressed and a dialogue can be made with anyone at the front door.





## ► MONITOR



## ► Communication among the optional monitors and audio

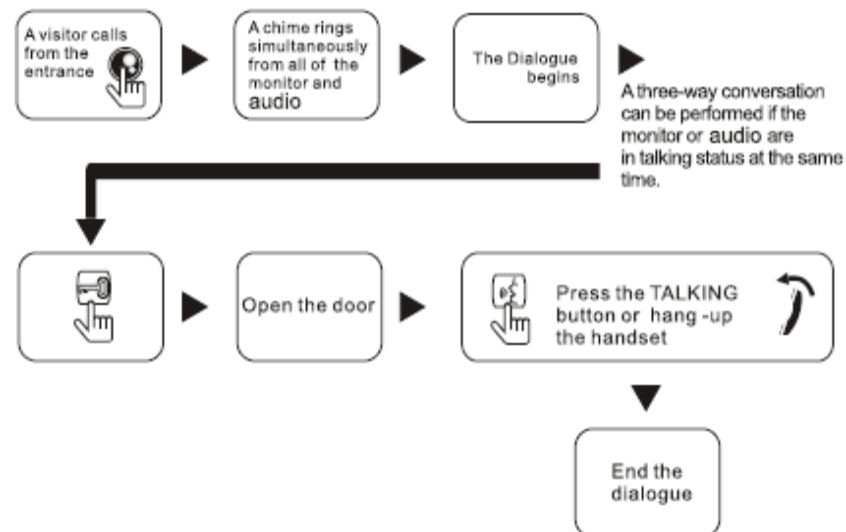
### ■ Call from the master monitor



### ■ Call to master monitor from the audio



### ■ Conversation among the monitors and outdoor station



\* Dialogue among the monitors , outdoor station and audio is possible only when the image of visitor is displayed on the monitor screen.