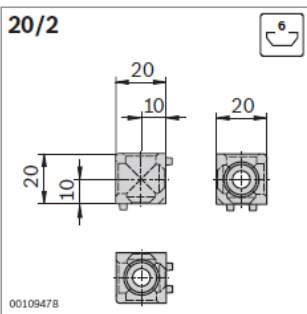


Cubic connector

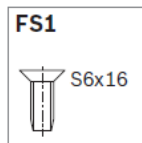


- ▶ For torsion-proof corner connections of profiles with equivalent cross-sections
- ▶ *designLINE* version with special silver paint (RAL 9006) for an attractive, high-quality design
- ▶ Caps to cover the openings
- ▶ Screw fitting on profile with self-tapping screws
- ▶ Profile finishing: not required

Technical data (p. 19-8)



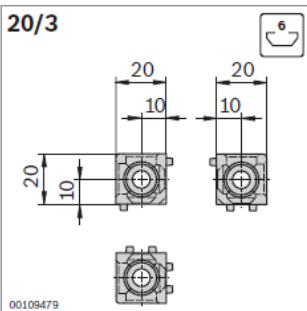
Type	
20/2	18 Nm



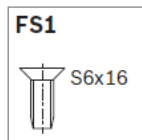
Cubic connector 20/2	Slot	ESD	No.	FS
Set (standard)	6		1 3 842 524 484	2xFS1
<i>designLINE</i> set	6		1 3 842 538 725	2xFS1
Cubic connector	6		20 3 842 523 875	
Cap D12			100 3 842 525 103	
Countersunk screw S6x16	6		100 3 842 517 132	

Material: Cubic connector: diecast aluminum
designLINE cubic connector: painted (RAL 9006)
Cap: PE, black
Fastening material: steel, galvanized

Scope of delivery: Set incl. fastening material (FS), caps



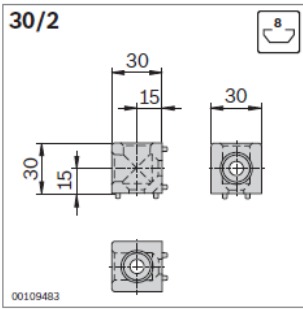
Type	
20/3	23 Nm



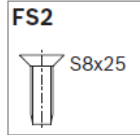
Cubic connector 20/3	Slot	ESD	No.	FS
Set (standard)	6		1 3 842 524 478	3xFS1
<i>designLINE</i> set	6		1 3 842 538 726	3xFS1
Cubic connector	6		20 3 842 523 872	
Cap D12			100 3 842 525 103	
Countersunk screw S6x16	6		100 3 842 517 132	

Material: Cubic connector: diecast aluminum
designLINE cubic connector: painted (RAL 9006)
Cap: PE, black
Fastening material: steel, galvanized

Scope of delivery: Set incl. fastening material (FS), caps



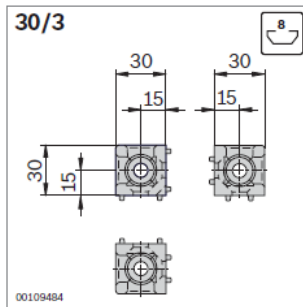
Type	
30/2	80 Nm



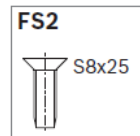
Cubic connector 30/2	Slot	ESD	No.	FS
Set (standard)	8		1 3 842 524 485	2xFS2
<i>designLINE</i> set	8		1 3 842 538 727	2xFS2
Cubic connector	8		20 3 842 523 876	
Cap D18			100 3 842 525 104	
Countersunk screw S8x25	8		100 3 842 517 543	

Material: Cubic connector: diecast aluminum
designLINE cubic connector: painted (RAL 9006)
 Cap: PE, black
 Fastening material: steel, galvanized

Scope of delivery: Set incl. fastening material (FS), caps



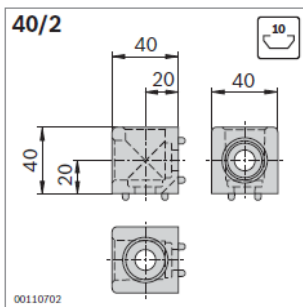
Type	
30/3	85 Nm



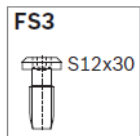
Cubic connector 30/3	Slot	ESD	No.	FS
Set (standard)	8		1 3 842 524 479	3xFS2
<i>designLINE</i> set	8		1 3 842 538 728	3xFS2
Cubic connector	8		20 3 842 523 873	
Cap D18			100 3 842 525 104	
Countersunk screw S8x25	8		100 3 842 517 543	

Material: Cubic connector: diecast aluminum
designLINE cubic connector: painted (RAL 9006)
 Cap: PE, black
 Fastening material: steel, galvanized

Scope of delivery: Set incl. fastening material (FS), caps



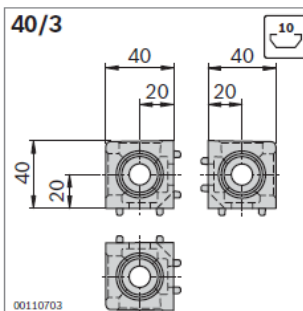
Type	
40/2	60 Nm



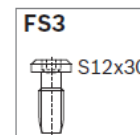
Cubic connector 40/2	Slot	ESD	No.	FS
Set (standard)	10		1 3 842 529 395	2xFS3
<i>designLINE</i> set	10		1 3 842 538 729	2xFS3
Cubic connector	10		20 3 842 529 010	
Cap D24			100 3 842 525 105	
Countersunk screw S12x30	10		100 3 842 530 236	

Material: Cubic connector: diecast aluminum
designLINE cubic connector: painted (RAL 9006)
 Cap: PE, black
 Fastening material: steel, galvanized

Scope of delivery: Set incl. fastening material (FS), caps



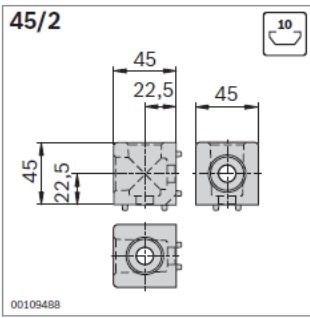
Type	
40/3	70 Nm




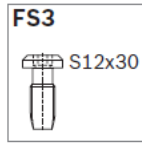
Cubic connector 40/3	Slot	ESD	No.	FS
Set (standard)	10		1 3 842 529 397	3xFS3
<i>designLINE</i> set	10		1 3 842 538 730	3xFS3
Cubic connector	10		20 3 842 529 011	
Cap D24			100 3 842 525 105	
Countersunk screw S12x30	10		100 3 842 530 236	







Material: Cubic connector: diecast aluminum
designLINE cubic connector: painted (RAL 9006)
 Cap: PE, black
 Fastening material: steel, galvanized

Scope of delivery: Set incl. fastening material (FS), caps



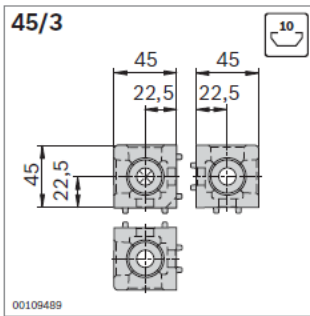
Type		
45/2	45x45L	150 Nm
	45x45	200 Nm

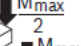


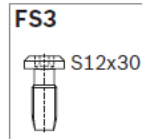
Cubic connector 45/2	Slot	ESD		No.	FS
Set (standard)	10		1	3 842 524 486	2xFS3
<i>designLINE</i> set	10		1	3 842 538 731	2xFS3
Cubic connector	10		20	3 842 523 877	
Cap			100	3 842 525 105	
Countersunk screw S12x30	10		100	3 842 530 236	







Material: Cubic connector: diecast aluminum
designLINE cubic connector: painted (RAL 9006)
 Cap: PE, black
 Fastening material: steel, galvanized

Scope of delivery: Set incl. fastening material (FS), caps



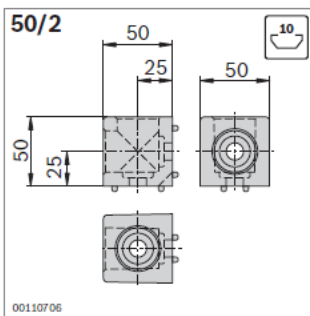
Type		
45/3	45x45L	170 Nm
	45x45	240 Nm

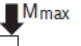


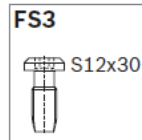
Cubic connector 45/3	Slot	ESD		No.	FS
Set (standard)	10		1	3 842 524 480	3xFS3
<i>designLINE</i> set	10		1	3 842 538 732	3xFS3
Cubic connector	10		20	3 842 523 874	
Cap			100	3 842 525 105	
Countersunk screw S12x30	10		100	3 842 530 236	






Material: Cubic connector: diecast aluminum
designLINE cubic connector: painted (RAL 9006)
 Cap: PE, black
 Fastening material: steel, galvanized

Scope of delivery: Set incl. fastening material (FS), caps



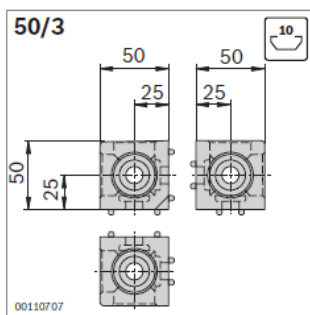
Type		
50/2		120 Nm

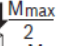


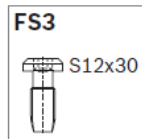
Cubic connector 50/2	Slot	ESD		No.	FS
Set (standard)	10		1	3 842 529 399	2xFS3
Cubic connector	10		20	3 842 529 012	
Cap			100	3 842 529 021	
Countersunk screw S12x30	10		100	3 842 530 236	






Material: Cubic connector: diecast aluminum
 Cap: PE, black
 Fastening material: steel, galvanized

Scope of delivery: Set incl. fastening material (FS), caps



Type		
50/3		140 Nm



Cubic connector 50/3	Slot	ESD		No.	FS
Set (standard)	10		1	3 842 529 401	3xFS3
Cubic connector	10		20	3 842 529 013	
Cap			100	3 842 529 021	
Countersunk screw S12x30	10		100	3 842 530 236	

Material: Cubic connector: diecast aluminum
 Cap: PE, black
 Fastening material: steel, galvanized

Scope of delivery: Set incl. fastening material (FS), caps