



DN408P28

# FLIR IP™

## FULL HD PoE NVR SYSTEM

The FLIR Full HD PoE NVR System combines powerful high-speed HD recording with eight brilliant 2.1MP 1080p bullet style cameras to produce a formidable complete security solution. Installation is made simple with integrated PoE and auto-detection of the cameras upon connection. With high capacity 200 Mbps processing, the NVR records at full resolution per channel at real-time.

### HIGHER CAPACITY PROCESSING

*Real-time recording in Full HD on each channel*

- 200 Mbps network bit rate
- Supports HD real-time recording with cameras up to 5MP
- Pentaplex operation - simultaneous View, Record, Playback, Backup & Remote Monitoring

### EASY INSTALLATION

*Integrated PoE inputs for quick, convenient connection*

- 8 integrated PoE ports with PoE+ support
- 120watt total PoE (up to 25w/channel)
- Auto-discovery of FLIR IP Cameras with no programming

### HD CAMERAS

*A high-res indoor/outdoor camera*

- 2.1 MP HD, 1/2.8" CMOS Progressive Scan, 70ft IR
- IP66 weatherproof rated
- 2D-DNR, D-WDR

### FLIR CLOUD – QUICK & SECURE REMOTE VIEWING

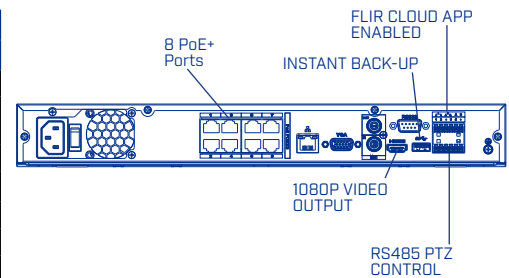
*Remote access via iOS, Android, PC / Mac with FLIR Cloud*

- Set up remote viewing in three easy steps: install FLIR Cloud app, scan QR code on DVR, view live video
- Multisite viewing on FLIR Cloud CMS for PC / Mac
- Cloud platform will offer premium services to receive Video Surveillance as a Service (VSaaS)



## Specifications

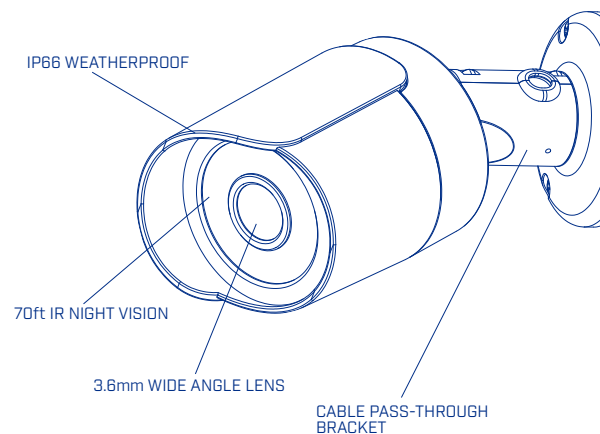
NVR Specifications		DN408P28
<b>System</b>		
Operating System	Linux (embedded)	
Pentaplex	Simultaneous view, record, playback, backup & remote monitoring	
Number of Channels	8 Channels	
<b>Inputs/Outputs</b>		
Video IN	8 PoE Video Input	
Video OUT	No	
VGA OUT	Yes	
HDMI	Yes	
Audio IN	1 Line IN (RCA) for 2-way audio	
Audio OUT	1 Line OUT (RCA) for 2-way audio	
USB Port	1 at the back, 1 at the front	
Alarm IN	4 Alarm IN	
Alarm OUT	2 Alarm OUT	
Video Output Resolution	1920x1080, 1280x1024, 1280x720, 1024x768	
PTZ Control	RS-485, supports Pelco-D and Pelco-P	
<b>Display</b>		
Live Display	1,4,8	
Live Display Speed	240 NTSC, 200 PAL	
OSD	ON/OFF	
System Navigation	USB mouse, IR remote controller, front panel	
Motion Area Setting	Adjustable grid (22x18)	
Sensitivity	Levels 100	
Firmware Upgrade	Automatic over the Internet & via USB device and network	
User Authority	By user group	
Time Synchronization	Auto time sync by NTP server	
<b>Recording</b>		
Compression	H.264	
Recording Resolution*	720P (1280x720), 1080P (1920x1080), 3MP (2028x1536), 5MP (2560x1920)	
Record Rate	NTSC: 240FPS @ 720P / 1080P / 3MP / 5MP PAL: 200FPS @ 720P / 1080P / 3MP / 5MP	
Recording Quality Control	6 levels	
Recording Schedule	By hour, by day, by recording mode, by motion, by channel	
Pre Recording	Max. 30 Seconds	
Post Recording	Max. 5 Minutes	
Reliability	Watch-Dog, auto-recovery after power failure	
Covert Video	Yes	
<b>Playback and Backup</b>		
Playback Channel	1/4	
Playback Speed	Variable Max 16x	
Playback Players	Backup Player	
Search	By time & event	
Log Search	Up to 1,000 lines for motion detected, configuration changes, connects/disconnects and video loss	
Audio Play	Yes (audio camera required)	
<b>Storage &amp; Archive</b>		
Storage	Up to 2 HDD's (SATA)	
Playback Speed	Up to 2x4TB	
Playback Players	Backup Media USB flash drive & HDD	
Search	DAV or ASF file	



\* 1080p MPX cameras are required to take advantage of 1080p recording. You may need to upgrade the DVR firmware to enable 1080p recording.

## Specifications

<b>NVR Specifications</b>		<b>DN408P28</b>
<b>Connectivity</b>		
Cloud Connection	FLIR Cloud™	
Supported Operating Systems	Windows™, Mac OSX	
Remote Software	Client Software (PC/Mac)	
Email Notification	Text with snapshot	
Instant Smart Phone & Tablet Support	iPad®, iPhone®, Android™	
DDNS Free	FLIR DDNS	
System Configuration	Full setup configuration over network	
Ports	Programmable by User	
Network Protocol	HTTP, IPv4/IPv6, TCP/IP, UPNP, RTSP, UDP, SMTP, NTP, DHCP, DNS, PPPOE, DDNS, FTP, IP Filter	
Network Bit Rate	200Mbs total, 48~8192kbps per camera	
Network Protocol	HTTP, IPv4/IPv6, TCP/IP, UPNP, RTSP, UDP, SMTP, NTP, DHCP, DNS, PPPOE, DDNS, FTP, IP Filter	
IP Cameras Supported	FLIR, Digimerge, Panasonic, Sony, Dynacolor, Samsung, AXIS, Arecont, Bosch, Canon, Honeywell, Pelco, Panasonic, Vivotek	
<b>NVR General Information</b>		
Power Consumption	Approx. 20 watts (No HDD Installed)	
Supply Voltage	100VAC-240VAC, 50/60Hz	
Total PoE Power Output (across all channels)	120W (Max 25W per Camera)	
Unit Weight	2.0kg / 4.4lbs	
Dimensions (W x H x D)	267mm x 203mm x 46mm / 10.5" x 8.0" x 1.8"	
Operating Temperature	14° ~ 131° F / -10° ~ 55° C	
Humidity	10 ~ 90% RH	
<b>Camera Specifications</b>		
Sensor/DSP	2.1 MP, 1/2.8" CMOS	
Scanning System	Progressive Scan	
Day/Night:	True Day/Night with ICR Filter. High Powered IR LEDs	
Resolutions/frame rate	1920x1080 Full HD 2.1MP @ 30fps	
Min. Illumination	Color: 0.1 lux@F1.2/0 Lux IR LED On	
Lens	3.6mm Fixed Mega Pixel	
Field of View (H/V/D)	77° / 54° / 100.2°	
IR LED	32 LEDs	
IR Distance	70 feet / 22 Meters	
Video Output	RJ45, Setup	
Electronic Shutter Speed	Auto/Manual, 1/4~1/10000s	
S/N Ratio	>50dB	



## Specifications

<b>Camera Specifications Cont.</b>	
<b>Video</b>	
Compression	H.264 / MJPEG
Bit Rate	H.264: 32K ~ 8192Kbps, MJPEG: 32K ~20480Kbps
Frame Rate	Main Stream 1080P / 720P (1 ~ 30fps)
Sub stream	D1/CIF (1~30fps)
Multi- Streaming	User setting of Stream 1/2 (at supported Resolutions)
Resolution	1080P (1920×1080) / 720P (1280×720) / D1 (704×480) / CIF (352×240)
Backlight Compensation	BLC / HLC / DWDR
White Balance	Auto
Gain Control	Auto / Manual
Noise Reduction	2D
Privacy Masking	Up to 4 areas
<b>Network</b>	
Ethernet	1 Ethernet (10/100 Base-T) RJ-45 Connector
TCP/IP	IPv4/IPv6
Compliance	Onvif 2.0
Max. User Access	10 users
Smart Phone	iPhone, iPad, Android
Protocol	IPv4/IPv6, HTTP, HTTPS, SSL, TCP/IP, UDP, UPnP, ICMP, IGMP, SNMP, RTSP, RTP, SMTP, NTP, DHCP, DNS, PPPoE, DDNS, FTP, IP Filter, QoS, Bonjour
<b>General</b>	
Power	12v DC, <6W
Power over Ethernet	PoE Class 3, 14W max, 802.3af
Operating Temperature	-4°F to 122°F / -20°C to 60°C
Operating Humidity	10% - 85% RH
Approvals	CE / FCC / RoHS Compliant / IP66
Camera Weight	0.4kg

### Ordering Information

DN408P28: 8-41430-01087-6

### Package Dimensions

18 x 11 x 17.3" / 458 x 279 x 440mm

### MARKHAM, ONTARIO

FLIR Systems, Inc.  
250 Royal Crest Court  
Markham, ON L3R 3S1  
Canada  
PH: +1 866.344.4674

### PORTLAND

Corporate Headquarters  
FLIR Systems, Inc.  
27700 SW Parkway Ave.  
Wilsonville, OR 97070  
USA  
PH: +1 866.477.3687

[www.flir.com/security](http://www.flir.com/security)  
NASDAQ: FLIR

Equipment described herein may require US Government authorization for export purposes. Diversion contrary to US law is prohibited. Imagery for illustration purposes only. Specifications are subject to change without notice. ©2015 FLIR Systems, Inc. All rights reserved. (Created 01/28/2015)