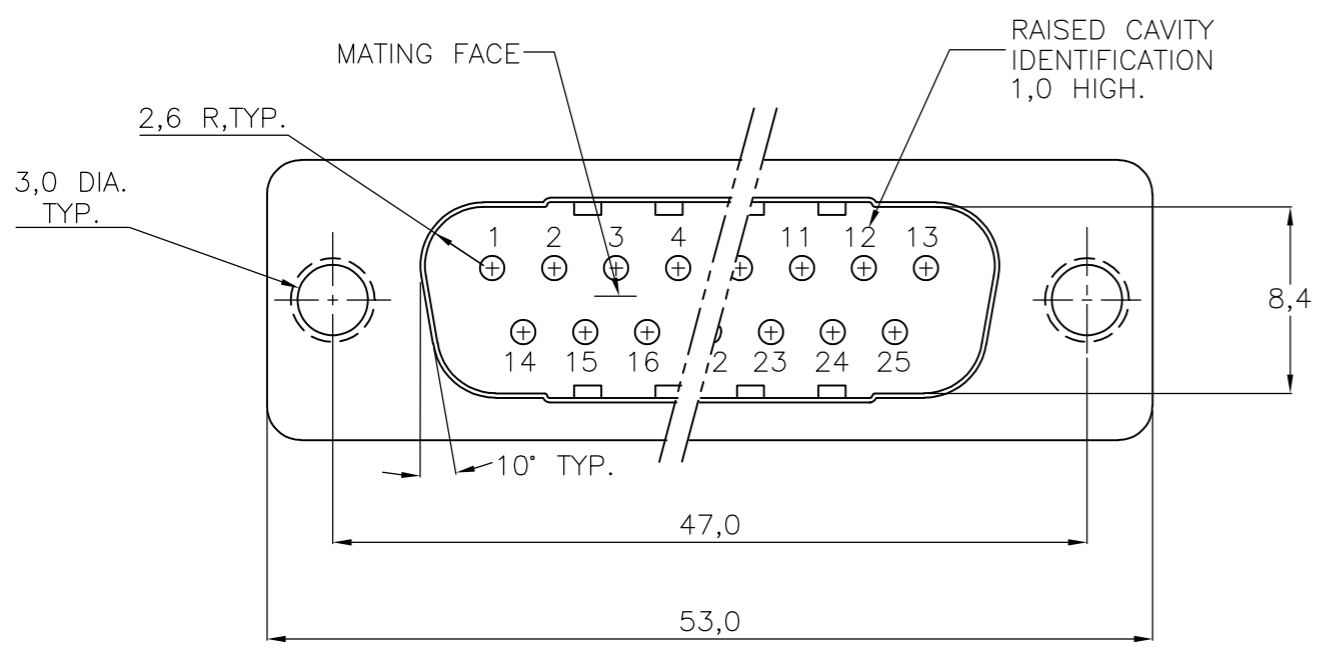


THIS DRAWING IS UNPUBLISHED. RELEASED FOR PUBLICATION
 © COPYRIGHT BY TYCO ELECTRONICS CORPORATION. ALL INTERNATIONAL RIGHTS RESERVED.

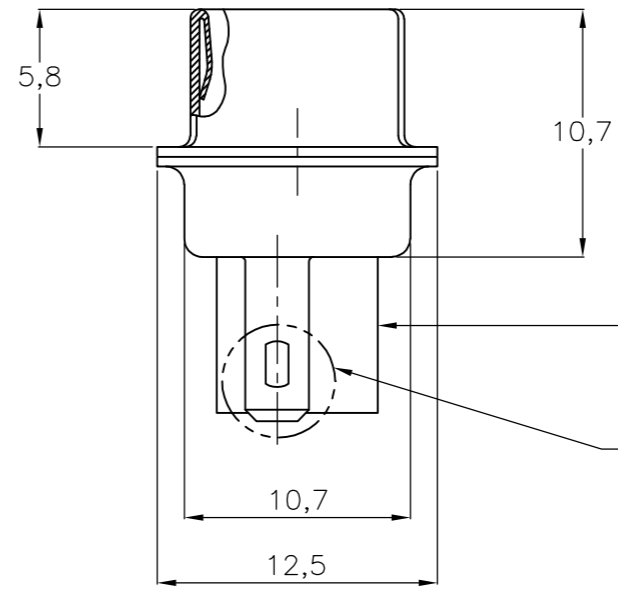
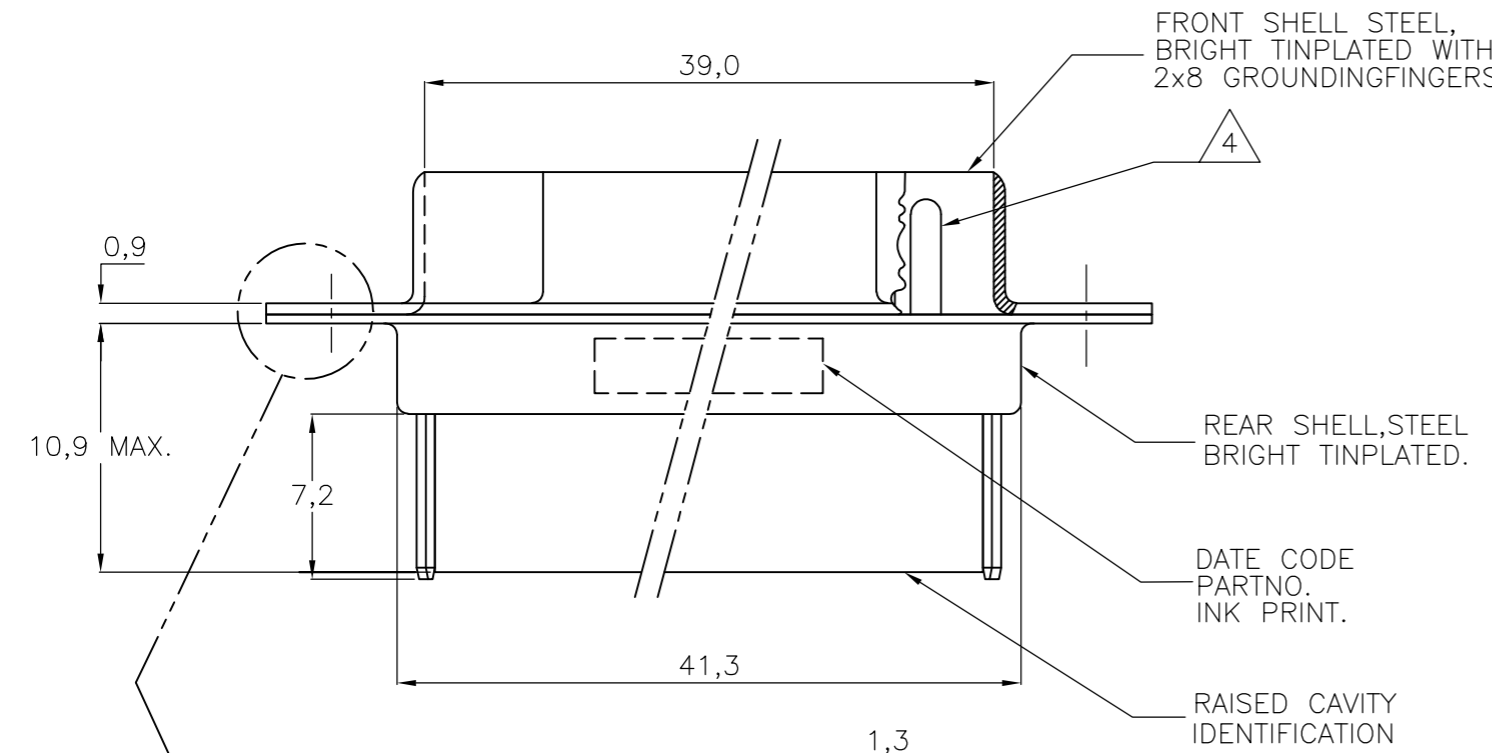
LOC	DIST	REVISIONS					
		P	LTR	DESCRIPTION	DATE	DWN	APVD
H	-		B	EH01-1520-03	22-12-03	JvdH	-
			B1	ECR-08-015757	09-07-08	AEG	KMA



NOTES:

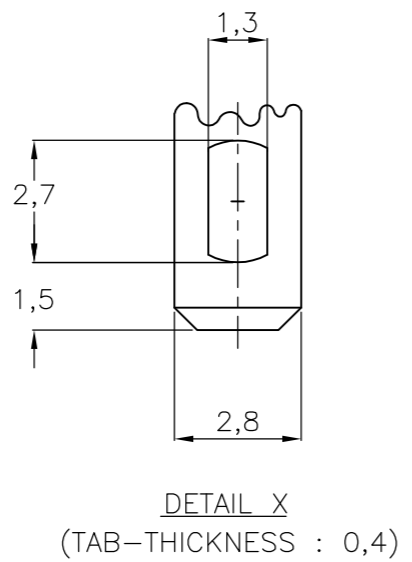
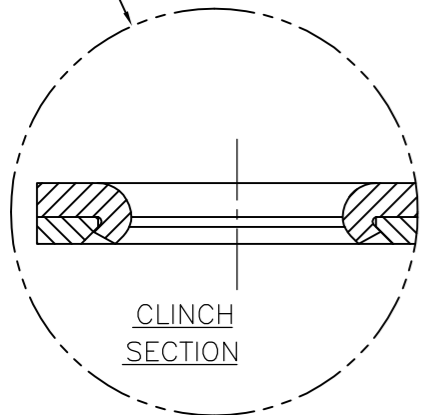
- THIS PLUG ACCEPTS SIZE 20 PIN CONTACTS
- MAXIMUM WIRE INSULATION RECOMMENDED FOR USE WITH THIS PLUG IS 1,73 DIA. MAX..
- RETENTION TINES ARE AN INTEGRAL PART OF INSERT.
- CONTACTS SHOWN FOR ILLUSTRATION ONLY, NO PART OF CONNECTOR PACKAGE, MUST BE ORDERED SEPARATELY.
- FOLLOWING INSERTION/REMOVAL TOOLS ARE RECOMMENDED FOR USE WITH THESE CONNECTORS:

<u>32-28AWG/28-24AWG CONT's</u>	<u>24-20AWG CONTACTS</u>
91067-3 INSERTION/REMOVAL	91067-2 INSERTION/REMOVAL
726363-1 INSERTION ONLY	726363-1 INSERTION ONLY
	726364-1 REMOVAL ONLY



INSERTS: NYLON
 GLASS-FILLED
 SELF-EXTINGUISHING
 COLOR: BLACK

SEE DETAIL X



SEE DRAWING	SEE DRAWING	215488-1
FINISH	MATERIAL	PARTNUMBER

THIS DRAWING IS A CONTROLLED DOCUMENT.		DWN B.MOOIJ 02SEP86	 Tyco Electronics Corporation 's-Hertogenbosch, Nederland
DIMENSIONS: mm		CHK C.V.TILBURG. 08SEP86	
TOLERANCES UNLESS OTHERWISE SPECIFIED:		APVD L.V.SOEST. 01OCT86	
0 PLC ± - 1 PLC ± - 2 PLC ± - 3 PLC ± - 4 PLC ± - ANGLES ± -		PRODUCT SPEC -	
MATERIAL -		FINISH -	NAME: HDP-20 PLUG CONNECTOR, SIZE 3, (25 POSITION) WITH SOLDER TAB. SIZE: A3 CAGE CODE: 00779 DRAWING NO: C-215488 RESTRICTED TO: - CUSTOMER DRAWING SCALE: NTS SHEET: 1 OF 1 REV: B1