

Features

- 22mm x 30mm panel cutout
- 20A / 250VAC, 16A / 250VAC
- 50,000 cycles
- SPST, DPST, DPDT
- Non illuminated and illuminated versions.
- Splash proof cap accessory

RS PRO Rocker Switches

RS Stock No.: 9143579, 7932513, 7932519,
9143575, 7932516, 7932522, 7932507, 9143572,
9143553, 9143563



RS PRO is the own brand of RS. The RS PRO Seal of Approval is your assurance of professional quality, a guarantee that every part is rigorously tested, inspected, and audited against demanding standards. Making RS PRO the Smart Choice for our customers.

Product Description

Buy this product from www.rspro.com

Range of stylish single pole and double pole illuminated and non-illuminated rocker switches. Designed for panel mount applications.

- High quality switches, manufactured in Europe
- on-off latching, momentary, changeover versions
- Illuminated red, green and blue
- Suitable for a wide range of applications including small appliances, PDUs, HVAC and cleaning equipment.

Operation Environment Specifications

Operating Temperature Range	Housing 125°C / Rocker 55 °C
-----------------------------	------------------------------

Protection Category

IP Rating	IP40 / IP65 if fitted correctly with splash proof cap
-----------	---

General Specifications

RS Code:	9143579	7932513	7932519	9143575
Image				
Contact Configuration	SPST 	DPST 	DPST 	DPST
Switch Operation	On-Off, Latching	On-Off, Latching	On-Off, Latching	On-Off, Momentary
Illuminated	No	No	No	No
Actuator Colour	White	Black	Black	Black
Actuator Shape	Rectangular	Rectangular	Rectangular	Rectangular
Legend Text	0 I	No legend	0 I	No legend
Legend Text Colour	Black		White	
Contact Material	Brass, silver plated			
Case Material	PA66			
Actuator Style	Rocker			

RS Code:	9143572 	7932516 	7932522 	7932507 
Contact Configuration	DPDT 	DPST 	DPST 	DPST 
Switch Operation	On-On Changeover	On-Off, Latching	On-Off, Latching	On-Off, Latching
Illuminated	No	Yes	Yes	Yes
Actuator Colour	Black	Green	Red	Red
Actuator Shape	Rectangular	Rectangular	Rectangular	Rectangular
Legend Text	No legend	0 I	No legend	0 I
Legend Text Colour		Black		Black
Contact Material	Copper alloy, silver plated			
Case Material	PA66			
Actuator Style	Rocker			
Lamp Type	Neon			
RS Code:	9143553 	9143563 		
Contact Configuration	DPST 	DPST 		
Switch Operation	On-Off Latching	On-Off, Latching		
Illuminated	Yes	Yes		
Actuator Colour	Blue Dot	Red Dot		
Actuator Shape	Rectangular	Rectangular		
Contact Material	Copper alloy, silver plated			
Case Material	PA66			
Actuator Style	Rocker			
Lamp Type	Neon			

RS Code:	9143579, 7932513, 7932519, 7932516, 7932522, 7932507, 9143553, 9143563	9143575, 9143572
Contact Current Rating	20(2)A	16(6)A
	Resistive load (inductive load)	
AC Voltage Rating	250VAC	
Terminal Type	Blade	
Termination Style	Quick Connect 6.3x0.8mm	
Illumination Voltage	250VAC	

Mechanical Specifications

Panel Cut Out Size	22x30mm
Panel Cut Out Width	22mm
Panel Cut Out Height	30mm
Mounting Type	Panel
Mechanical Life	Up to 50,000 cycles
Unit Weight	12g

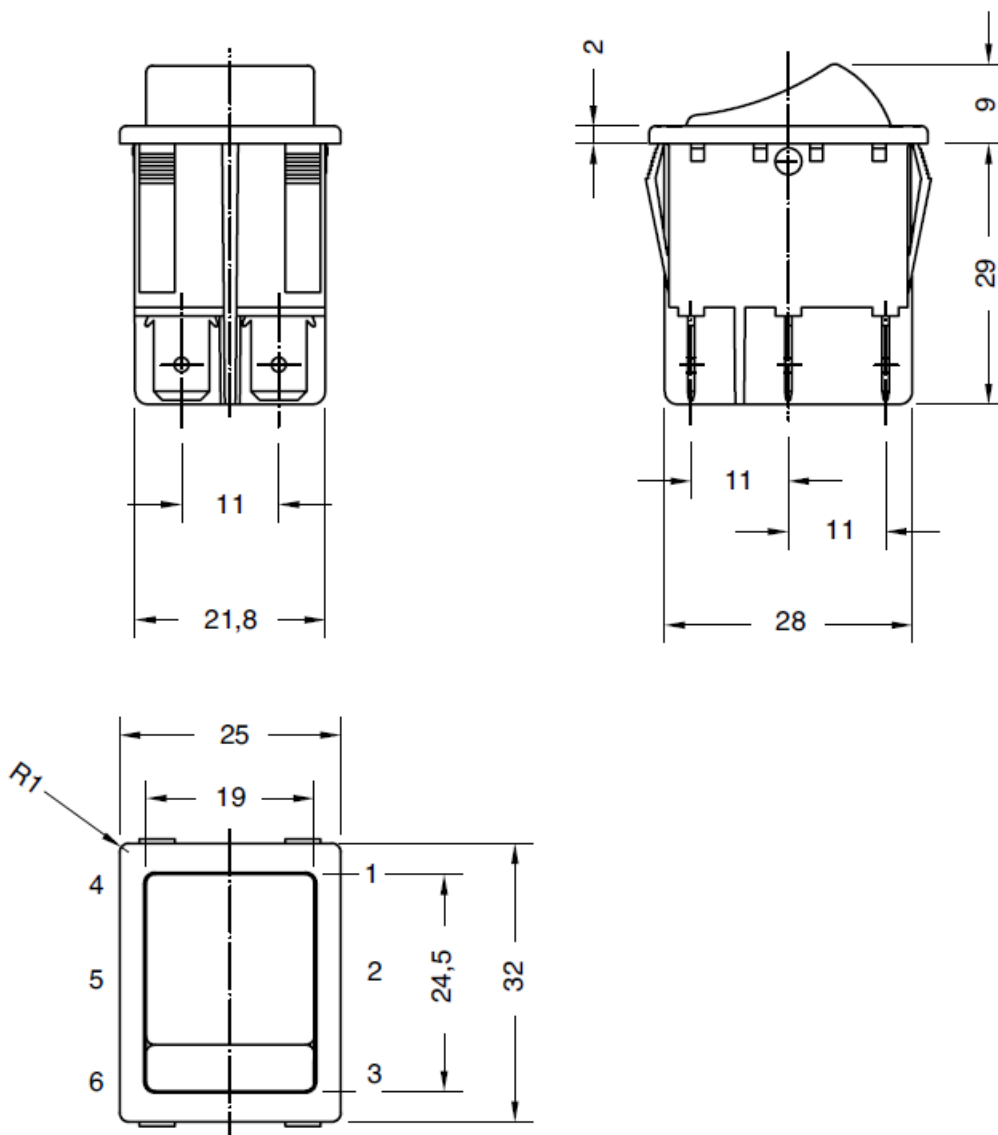
Operation Environment Specifications

Operating Temperature Range	Housing 125°C / Rocker 55 °C
-----------------------------	------------------------------

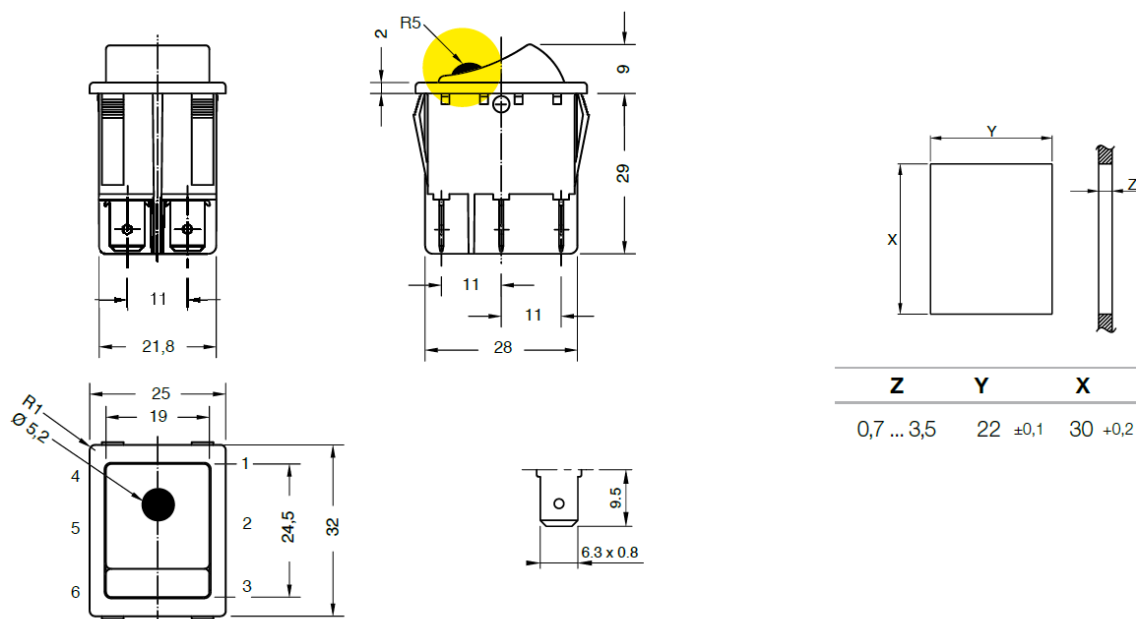
Approvals

Compliance/Certifications	EN 61058-1, ENEC, UL, CE
Declarations	GWFI 850°C heat and fire resistance

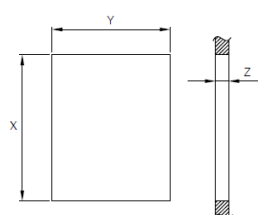
CONSTRUCTIONAL DIAGRAM/CIRCUIT DIAGRAMS



Switches with dot illumination



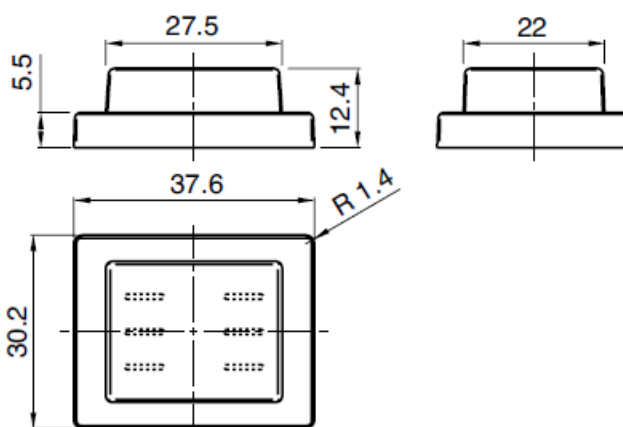
CUTOUT



		Z	Y	X
STANDARD	PLASTIC	0,7 ... 3,5	22,0 ±0,1	30,0 +0,2 0
WATERPROOF CAP VERSION	METAL	0,7 ... 2,5	22,0 ±0,1	30,2 +0,2 0

Recommended that the cutout should be 22 x 30.0mm with a tolerance of +0.2, this can make a big difference to the fitting.

Accessory – Splash Proof Cap RS Code 7932525
For IP65 protection if fitted correctly to switch.



Splash proof cap to fit 22x30mm rocker switches.