

Actuator head for position switch 3SE51/52 Angular roller lever Metal lever with Plastic roller 22 mm



product brand name	SIRIUS
product designation	actuator head for position switch
product type designation	3SE5
manufacturer's article number	
<ul style="list-style-type: none"> of the supplied actuator head for position switches 	3SE5000-0AF01
General technical data	
product function positive opening	Yes
shock resistance	
<ul style="list-style-type: none"> acc. to IEC 60068-2-27 	30g / 11 ms
vibration resistance	
<ul style="list-style-type: none"> acc. to IEC 60068-2-6 	0.35 mm/5g
mechanical service life (switching cycles) typical	15 000 000
material of the enclosure of the switch head	plastic
reference code acc. to IEC 81346-2	T
active principle	mechanical
Substance Prohibitance (Date)	01.07.2006
minimum actuating force in directions of actuation	10 N
design of the interface for safety-related communication	without
Enclosure	
coating of the enclosure	Other types
Drive Head	
design of the actuating element	Angular roller lever, metal lever, plastic roller
standard-compliant actuator head	EN 50041
shape of the switch head	roller
outer diameter of the switch head	22 mm
Communication/ Protocol	
design of the interface	without
Ambient conditions	
ambient temperature	
<ul style="list-style-type: none"> during operation during storage 	-25 ... +85 °C -40 ... +90 °C
explosion protection category for dust	none
Installation/ mounting/ dimensions	
mounting position	any
fastening method	lockable plug-in fixing
Certificates/ approvals	
General Product Approval	Declaration of Conformity



[UK Declaration of Conformity](#)



EG-Konf.

Test Certificates

other

[Type Test Certificates/Test Report](#)

[Confirmation](#)

Further information

Information- and Downloadcenter (Catalogs, Brochures,...)

<https://www.siemens.com/ic10>

Industry Mall (Online ordering system)

<https://mall.industry.siemens.com/mall/en/en/Catalog/product?mlfb=3SE5000-0AF01>

Cax online generator

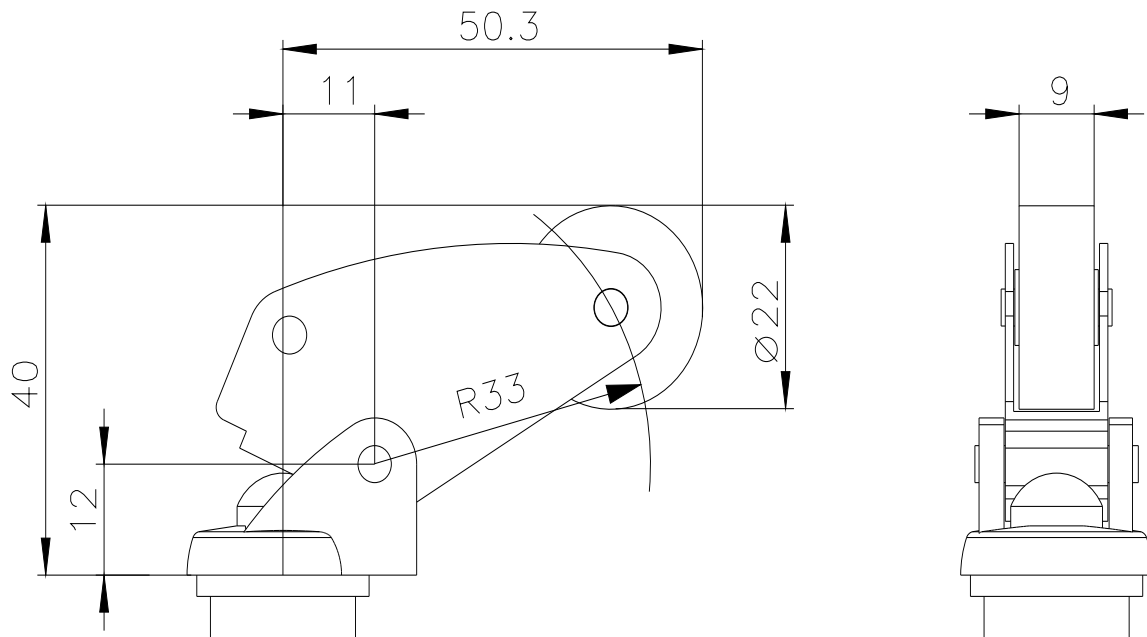
<http://support.automation.siemens.com/WW/CAXorder/default.aspx?lang=en&mlfb=3SE5000-0AF01>

Service&Support (Manuals, Certificates, Characteristics, FAQs,...)

<https://support.industry.siemens.com/cs/ww/en/ps/3SE5000-0AF01>

Image database (product images, 2D dimension drawings, 3D models, device circuit diagrams, EPLAN macros, ...)

http://www.automation.siemens.com/bilddb/cax_de.aspx?mlfb=3SE5000-0AF01&lang=en



last modified:

12/21/2020