

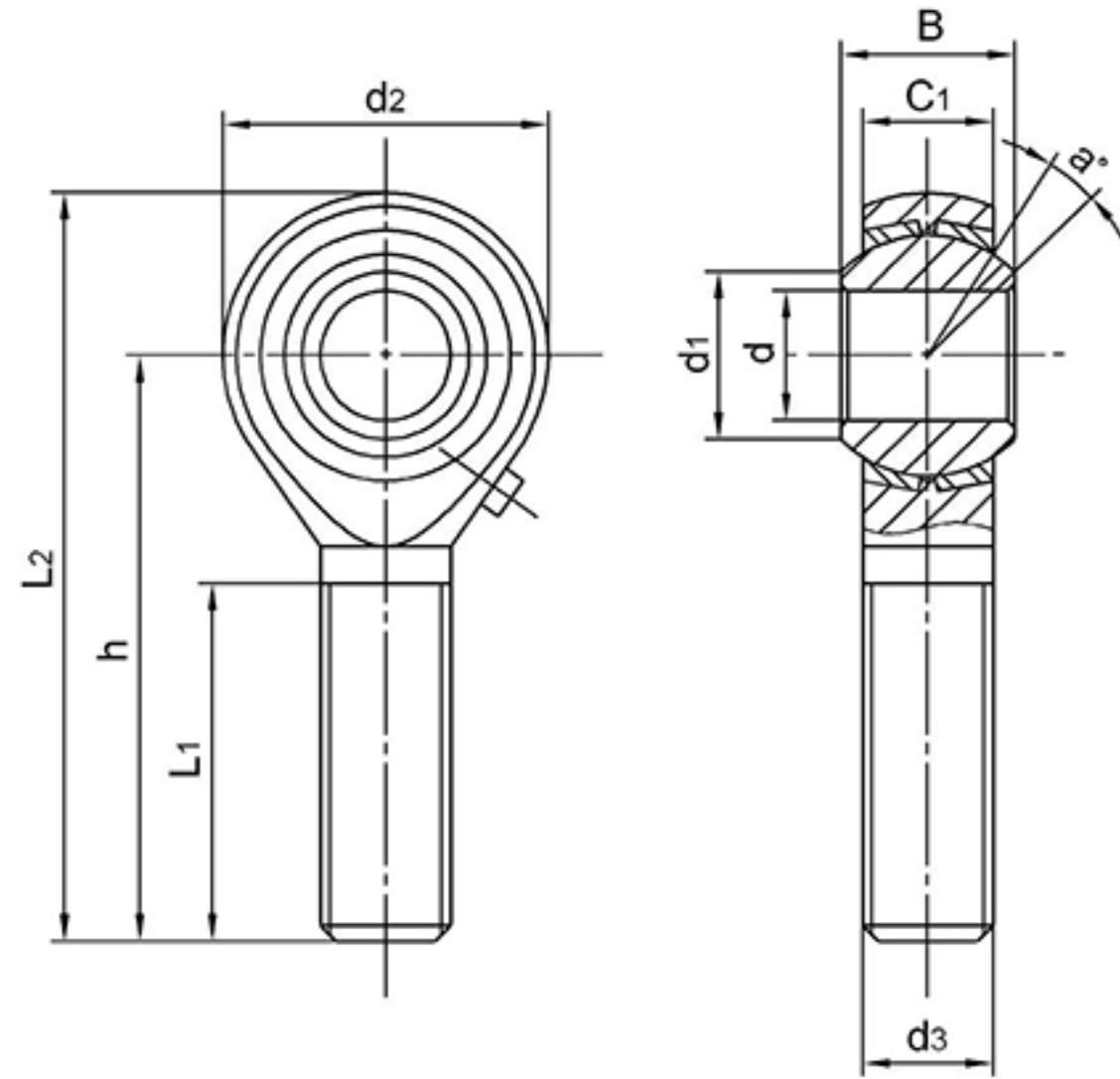
POS..

Ball: Gcr15 Steel, heat treated, HRC58~64;
Precision ground, polished

Body: Carbon steel, Zinc plated, chromate treated

Race: Brass

Sliding contact surfaces: Steel/Brass



Bearing No.	Dimensions(mm)									Ball dia	a° mis. angle	Load ratings (KN)		weight ≈ Kg
	d _{H7}	B	C ₁	d ₁	d ₂	d _{3-6g}	h	L ₁	L ₂			Dynamic	Static	
POS3	3	6	4.5	5.1	12	M3	26	15	32	7.93	14	1.5	1.8	0.006
POS4	4	7	5.25	6.5	14	M4	30	19	37	9.52	13	2.0	2.9	0.011
POS5	5	8	6	7.7	16	M5	33	20	41	11.11	13	2.5	3.5	0.012
POS6	6	9	6.75	8.9	18	M6	36	22	45	12.7	13	3.2	4.8	0.019
POS8	8	12	9	10.3	22	M8	42	25	53	15.87	14	5.4	8.9	0.032
POS10	10	14	10.5	12.9	26	M10	48	29	61	19.05	13	7.5	12.5	0.054
POS10F1						M10x1.25								
POS12	12	16	12	15.4	30	M12	54	33	69	22.22	13	10	15.8	0.085
POS12/F2						M12x1.25								
POS14	14	19	13.5	16.8	34	M14	60	36	77	25.4	16	13	22.1	0.126
POS14F1						M14x1.5								
POS15	15	20	14	18.1	36	M14	63	38	81	26.98	16	14.5	23.6	0.186
POS16	16	21	15	19.3	38	M16	66	40	85	28.58	15	16	25.9	0.185
POS16F1						M16x1.5								
POS17	17	22	16	20.6	40	M16x1.5	69	42	89	30.16	14	18	28.4	0.259
POS18	18	23	16.5	21.8	42	M18x1.5	72	44	93	31.75	15	19.5	30.8	0.260
POS20	20	25	18	24.3	46	M20x1.5	78	47	101	34.92	14	23	36.2	0.340
POS22	22	28	20	25.8	50	M22x1.5	84	51	109	38.1	15	29	42.6	0.435
POS25	25	31	22	29.5	60	M24x2	94	57	124	42.86	15	40.5	74.1	0.650
POS28	28	35	24	32.29	66	M27x2	103	62	136	47.63	15	46.1	88.7	0.875
POS30	30	37	25	34.8	70	M30x2	110	66	145	50.8	17	54.3	94.0	1.070

Can supply rod ends with different pitch or accuracy of thread.

For left-hand thread, suffix "L" is added to bearing numbers. eg.: POS20L M20 x 1.5L-6g: