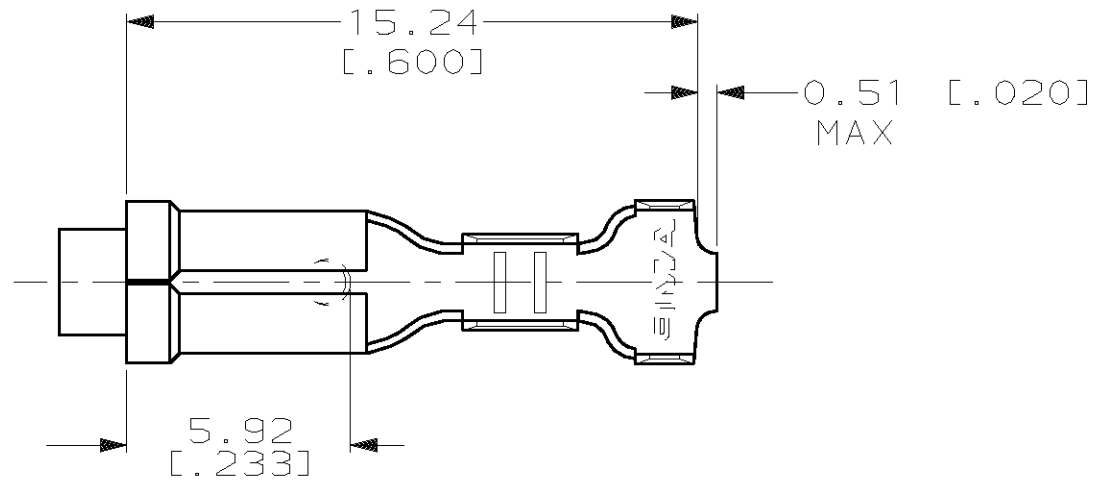
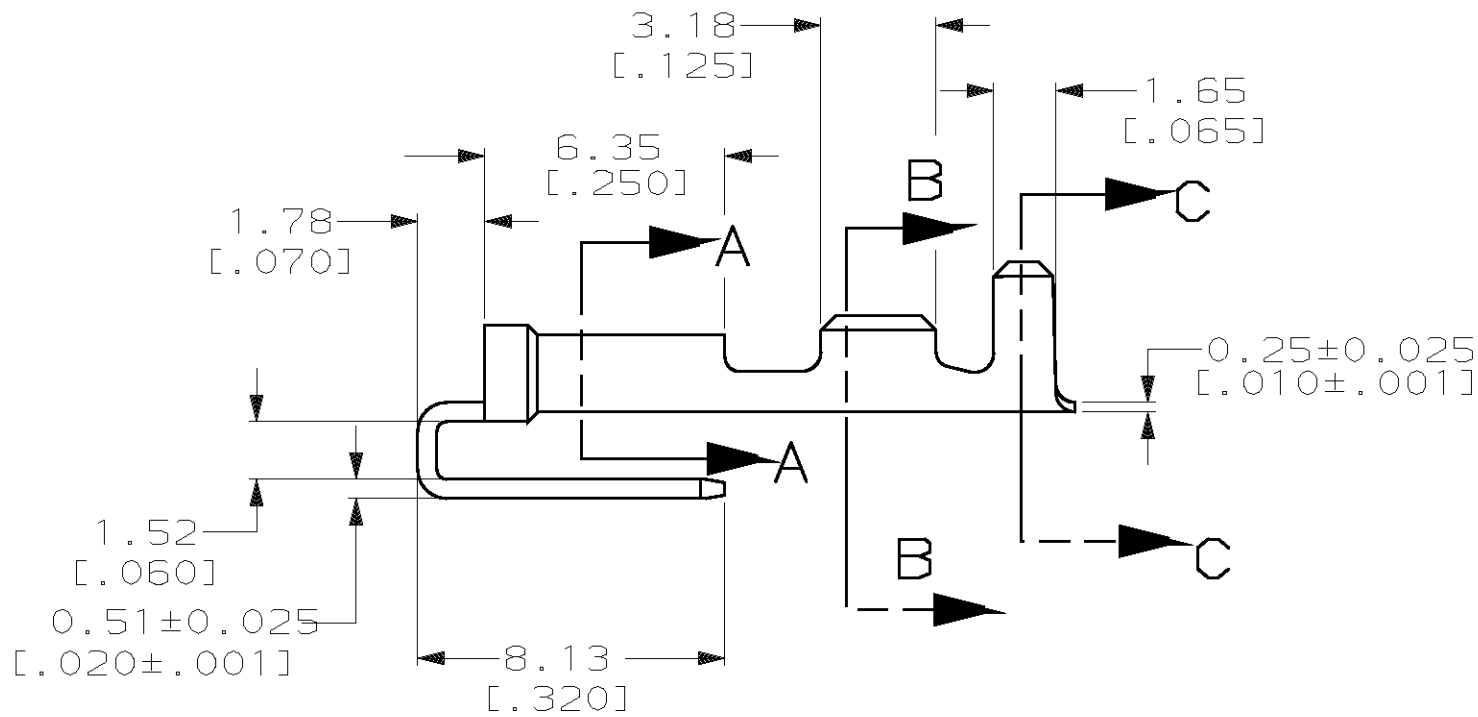
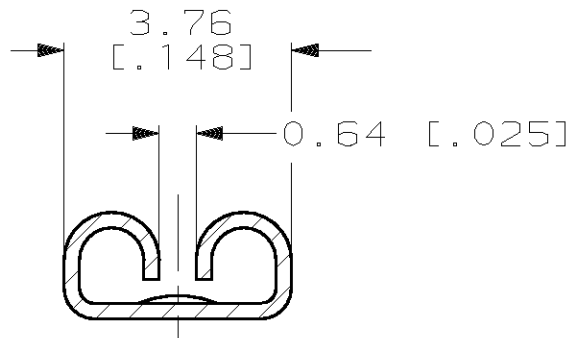


THIS DRAWING IS UNPUBLISHED. RELEASED FOR PUBLICATION, 19
 © COPYRIGHT 19 BY AMP INCORPORATED. ALL INTERNATIONAL RIGHTS RESERVED.

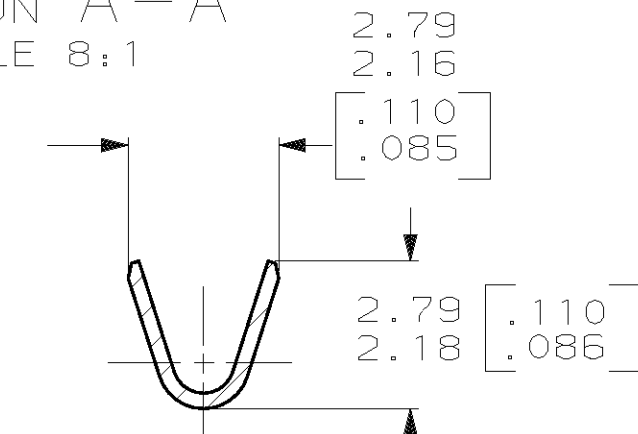
LOC	DIST	P	F	ZONE	LTR	DESCRIPTION	DATE	APPD
AF	50				A	REV PER 0L10-0521-97	1/16/98	JR/JG



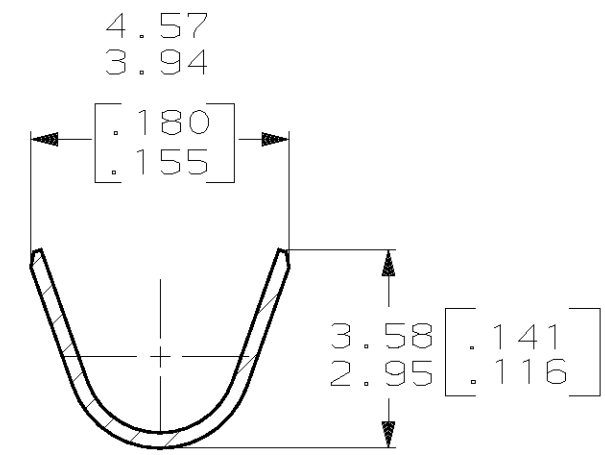
- 1 SUPPLIED IN LOOSE PIECE.
- 2 TIN PLATE 0.002032 [.000080] MIN THK.
- 3 REF STRIP BASE P/N 62003



SECTION A-A
SCALE 8:1



SECTION B-B
SCALE 8:1



SECTION C-C
SCALE 8:1

OBSOLETE

1.52-2.54 DIA [.060-.100] DIA	[#22-#18] AWG	0.508±0.025 [.020±.001]	TIN Δ	62112-2
INSULATION RANGE	WIRE SIZE	MATING TAB THICKNESS	FINISH	PART NO
DO NOT SCALE PRINT. UNLESS SPECIFIED DIMENSIONS IN mm [INCHES] TOLERANCES ON: 2 PLC DEC ± 0.38 [.015] 3 PLC DEC ± - ANGLES ± -	DR 5/16/95 JR RUTH CHK 5/16/95 MS FEHER APPD 5/16/95 P DESANTIS APPD 5/16/95 R REINER	AMP AMP Incorporated Harrisburg, PA 17105-3608		
MATERIAL H04 BRASS	PRODUCT SPEC -	NAME RECEPTACLE, FASTON,™ PIGGYBACK, 2.79 [.110] SERIES		
FINISH SEE TABLE	APPLICATION SPEC -	SIZE B	CAGE CODE 00779	DRAWING NO C-62112
	WEIGHT -	SCALE 5:1	SHEET	1 OF 1

THIS DRAWING IS A CONTROLLED DOCUMENT FOR AMP INCORPORATED. IT IS SUBJECT TO CHANGE AND THE CONTROLLING ENGINEERING ORGANIZATION SHOULD BE CONTACTED FOR THE LATEST REVISION.