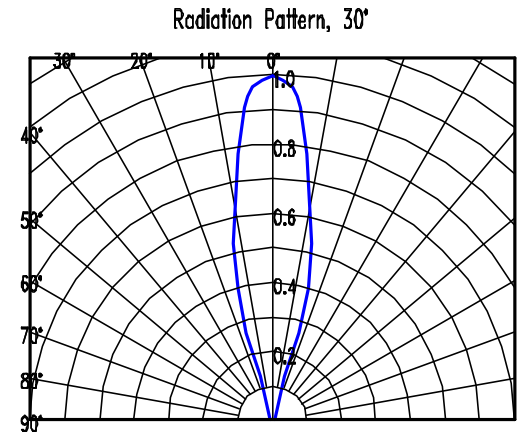
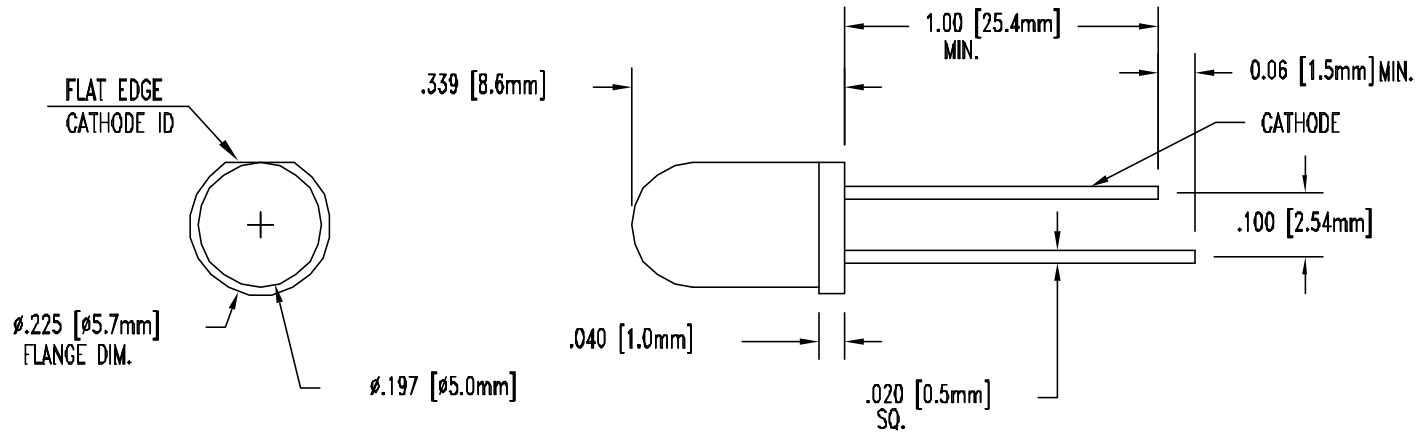


REV	DESCRIPTION	DATE	APPROVED
A	ENGINEERING RELEASE.	05/19/03	MC



CAUTIONS: EMITS ULTRAVIOLET RADIATION!!


This device radiates intense ultraviolet (UV) light when operated. Exposure to UV radiation can be harmful to your health. Protect your eyes and skin during operation. Do not look directly at this device during operation. Exposure to UV light, even for a brief period, can damage your eyes. Do not operate the device unless you have had proper safety training and take appropriate precautions. Do not permit children or untrained personnel to operate the device.

LED Part No.	Chip						Lens Appearance	Absolute Maximum Ratings				Electro-Optical Data @ 20mA				Viewing Angle (Deg.)
	Material	Emitted Color	Peak Wave Length λ_p (nm)			Dom. Wave Length λ_d (nm)		$\Delta\lambda$ (nm)	P_d (mW)	I_f (Typ) (mA)	Peak (I_f) (mA)	V_f (V)		Radiant Flux P (mW)	Optical Rise Time (t _{ns})	
LED5-UV-395-30	InGaN	BLUE UV	Min. 390	Typ. 395	Max. 400	430	WATER CLEAR	60	100	30	100	Typ. 3.7	Max. 4.0	11.0	30	30
LED5-UV-400-30	InGaN	BLUE UV	Min. 390	Typ. 400	Max. 410	430	WATER CLEAR	60	100	30	100	Typ. 3.7	Max. 4.0	12.0	30	30
LED5-UV-405-30	InGaN	BLUE UV	Min. 400	Typ. 405	Max. 410	430	WATER CLEAR	60	100	30	100	Typ. 3.7	Max. 4.0	12.0	30	30

ABSOLUTE MAXIMUM RATINGS (T_a=25°C)

- ELECTROSTATIC DISCHARGE THRESHOLD (HBM) _____ 1000V
- ELECTROSTATIC DISCHARGE CLASSIFICATION (MIL-STD-883E) _____ CLASS 2 (CLASS 1 FOR UV)
- LED JUNCTION TEMPERATURE _____ 125°C
- REVERSE VOLTAGE _____ 5V
- REVERSE CURRENT (V_r =5V) _____ 10uA
- OPERATING TEMPERATURE RANGE _____ -25°C ~ 85°C
- STORAGE TEMPERATURE _____ -30°C ~ 100°C
- LEAD SOLDERING TEMPERATURE(1/16" FROM BODY) _____ 260°C FOR 5 SECONDS

Product resistance to electrostatic discharge (ESD) is measured by simulating ESD using a rapid avalanche energy test (RAET). The RAET procedures are designed to approximate the maximum ESD ratings shown. Seller gives no other assurances regarding the ability of Products to withstand ESD.

UNLESS OTHERWISE SPECIFIED: DIMENSIONS ARE IN INCHES		 4 THOMAS, IRVINE, CA.92618 TEL: (949) 951-8808 FAX: (949) 951-3974					
TOLERANCES							
DECIMALS	ANGULAR	PART NAME: T-1 3/4 (5mm) LED, UV					
.X ± .1	X° ± 1°						
.XX ± .02							
.XXX ± .010		DESIGNER	DATE	SIZE	DWG NAME	DWG NO.	REV
		DAVID GREEN	05/19/03	A		LED5-UV-XXX-30	A
CHECKER	DATE	SCALE 1=1		CAGE CODE	SHEET 1 OF 1		
M CHEN	05/19/03	32559					