

Customer Information Sheet

DRAWING No.: M80-840XXXX

SHEET 2 OF 2

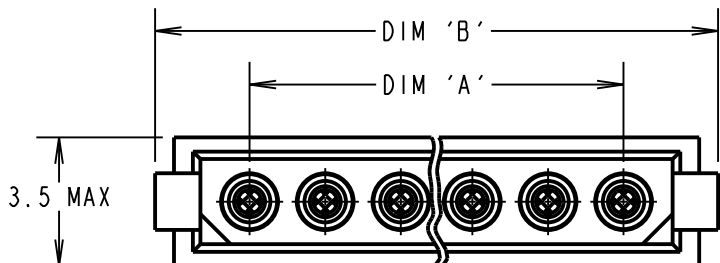
IF IN DOUBT - ASK

©

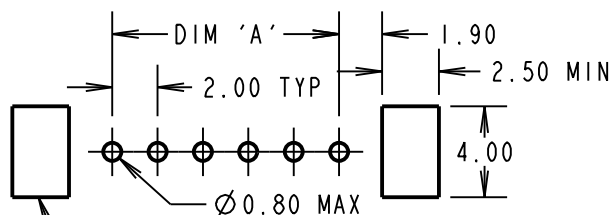
NOT TO SCALE

THIRD ANGLE PROJECTION

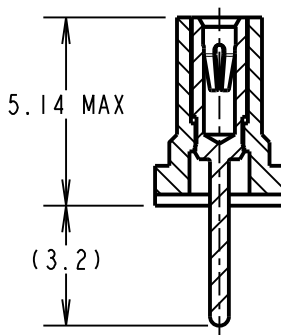
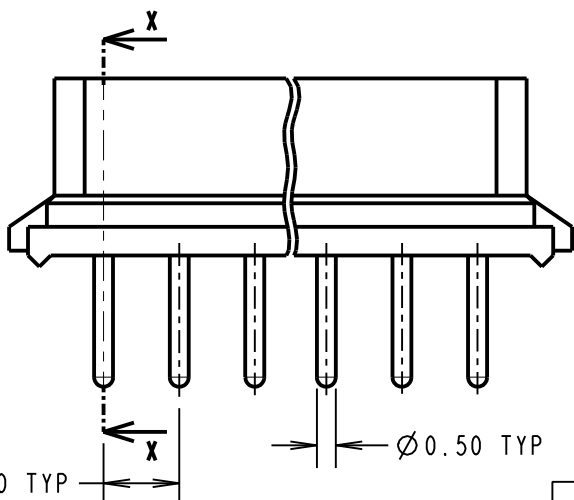
ALL DIMENSIONS IN mm



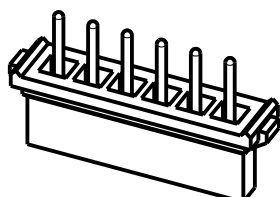
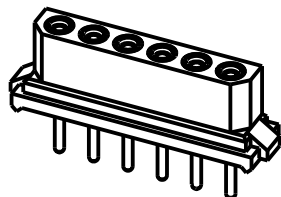
RECOMMENDED PCB LAYOUT



(OPTIONAL) HOLES REQUIRED FOR USE WITH LATCHED MALE CONNECTORS.



SECTION X-X



SPECIFICATIONS:

MATERIAL:

MOULDING = GLASS-FILLED POLYAMIDE 46, UL94V-0, BLACK

CONTACT CLIP = BERYLLIUM COPPER

CONTACT SHELL = COPPER ALLOY

FINISH (ALL OVER NICKEL):

01 = 0.3µ GOLD CLIP, 3.5µ 90/10 TIN/LEAD SHELL

42 = 0.3µ GOLD CLIP, 3.5-5.0µ 100% TIN SHELL

45 = 0.3µ GOLD CLIP, 0.25-0.3µ GOLD SHELL

ELECTRICAL:

CURRENT RATING AT 25°C = 3.0A MAX

CURRENT RATING AT 85°C = 2.2A MAX

WORKING VOLTAGE = 120V AC/DC

VOLTAGE PROOF = 360V AC/DC

CONTACT RESISTANCE = 25 mΩ MAX

INSULATION RESISTANCE = 100 MΩ MIN

MECHANICAL:

DURABILITY = 500 OPERATIONS

INSERTION FORCE (Ø0.5mm GAUGE) = 2.8N MAX

WITHDRAWAL FORCE (Ø0.5mm GAUGE) = 0.2N MIN

ENVIRONMENTAL:

TEMPERATURE RANGE = -55°C TO +125°C

PACKING:

TUBE

FOR COMPLETE SPECIFICATION, SEE COMPONENT SPECIFICATION C005XX (LATEST ISSUE)

ORDER CODE:

M80-840XXXX

TOTAL No. OF CONTACTS

02, 03, 04, 05,
06, 07, 17, 22

FINISH

01 - GOLD CLIP, TIN/LEAD SHELL
42 - GOLD CLIP, 100% TIN SHELL
45 - GOLD CLIP, GOLD SHELL

PART No.	No. OF CONTACTS	DIM 'A'	DIM 'B'
M80-84002XX	2	2.00	7.30
M80-84003XX	3	4.00	9.30
M80-84004XX	4	6.00	11.30
M80-84005XX	5	8.00	13.30
M80-84006XX	6	10.00	15.30
M80-84007XX	7	12.00	17.30
M80-84017XX	17	32.00	37.30
M80-84022XX	22	42.00	47.30

SM	7	10.06.11	10832
NAME	ISS.	DATE	C/NOTE
APPROVED: S. MCCULLAGH			
CHECKED: M. G. PLESTED			
DRAWN: W. J. BOURNE			
CUSTOMER REF.:			
ASSEMBLY DRG:			

HARWIN

THIS DRAWING AND ANY INFORMATION OR DESCRIPTIVE MATTER SET OUT HEREON ARE CONFIDENTIAL AND COPYRIGHT PROPERTY OF THE HARWIN GROUP AND MUST NOT BE DISCLOSED, LOANED, COPIED OR USED FOR MANUFACTURING, TENDERING OR FOR ANY OTHER PURPOSE WITHOUT THEIR WRITTEN PERMISSION.

TOLERANCES

X. = ±1mm
X.X = ±0.25mm
X.XX = ±0.10mm
X.XXX = ±0.01mm
ANGLES = ±5°
UNLESS STATED

MATERIAL:

SEE ABOVE

FINISH:

SEE ABOVE

S/AREA:

mm²

TITLE:

DATAMATE
SIL VERTICAL PC TAIL
FEMALE ASSEMBLY (RoHS)

DRAWING NUMBER:

M80-840XXXX

SHT
2 OF 2

HARWIN USA
TEL: 603 893 5376
FAX: 603 893 5396
mis@harwin.com

HARWIN Europe (UK)
TEL: 023 9231 4545
FAX: 023 9231 4590
mis@harwin.co.uk

HARWIN Asia
TEL: +65 6 779 4909
FAX: +65 6 779 3868
mis@harwin.com.sg