



### Main

Range of product	Harmony XB5
Bezel material	Plastic
Product or component type	Annunciator
Mounting diameter	22 mm
Cap/Operator or lens colour	Yellow

### Complementary

[Us] rated supply voltage	24 V (+/- 10 %)
Supply circuit type	AC/DC
Supply frequency	50/60 Hz
Current consumption	<= 58 mA
Signalling type	Continuous or intermittent tone
Resistance to high pressure washer	9000000 Pa at 82 °C,distance: 0.1 m
Height	29 mm
Width	29 mm
Depth	55 mm
Product weight	0.024 kg

### Environment

Noise level	90 dB 4 kHz 90 dB 6.8 kHz
Protective treatment	TH
Ambient air temperature for storage	-40...70 °C
Ambient air temperature for operation	-40...70 °C
Overvoltage category	Class II conforming to IEC 60536
IP degree of protection	IP69 IP67 IP66 conforming to IEC 60529

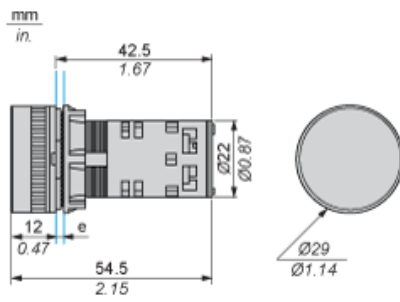
IP69K

NEMA degree of protection	NEMA 13 NEMA 4X
IK degree of protection	IK03 conforming to EN 50102 IK03 conforming to IEC 50102
Standards	EN 60947-5-1 CSA C22.2 No 14 IEC 60947-1 UL 508 EN 60947-1 EN 60947-5-4 JIS C 4520 IEC 60947-5-1 IEC 60947-5-4
Product certifications	UL listed DNV BV GL LROS (Lloyds register of shipping) CSA RINA

Offer Sustainability

Sustainable offer status	Green Premium product
RoHS (date code: YYWW)	Compliant - since 1746 - Schneider Electric declaration of conformity <a href="#">Schneider Electric declaration of conformity</a>
REACH	Reference not containing SVHC above the threshold <a href="#">Reference not containing SVHC above the threshold</a>
Product environmental profile	Available <a href="#">Product environmental</a>
Product end of life instructions	Need no specific recycling operations

Dimensions



e: Clamping thickness: 1 to 6 mm / 0.04 to 0.24 in.

---

Panel Cut-out for Buzzer

---

Connection by Screw Clamp Terminals

(1) Diameter on finished panel or support

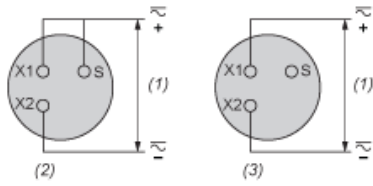
(2)  $\text{Ø}22.5$  mm recommended ( $\text{Ø}22.3 \text{ }_0^{+0.4}$ ) /  $\text{Ø}0.89$  in. recommended ( $\text{Ø}0.88 \text{ in. }_0^{+0.016}$ )

Connections	a in mm	a in in.	b in mm	b in in.
By screw clamp terminals or plug-in connector	40	1.57	30	1.18

---

Cabling of Annunciators

---



- (1) Supply
- (2) Intermittent
- (3) Continuous