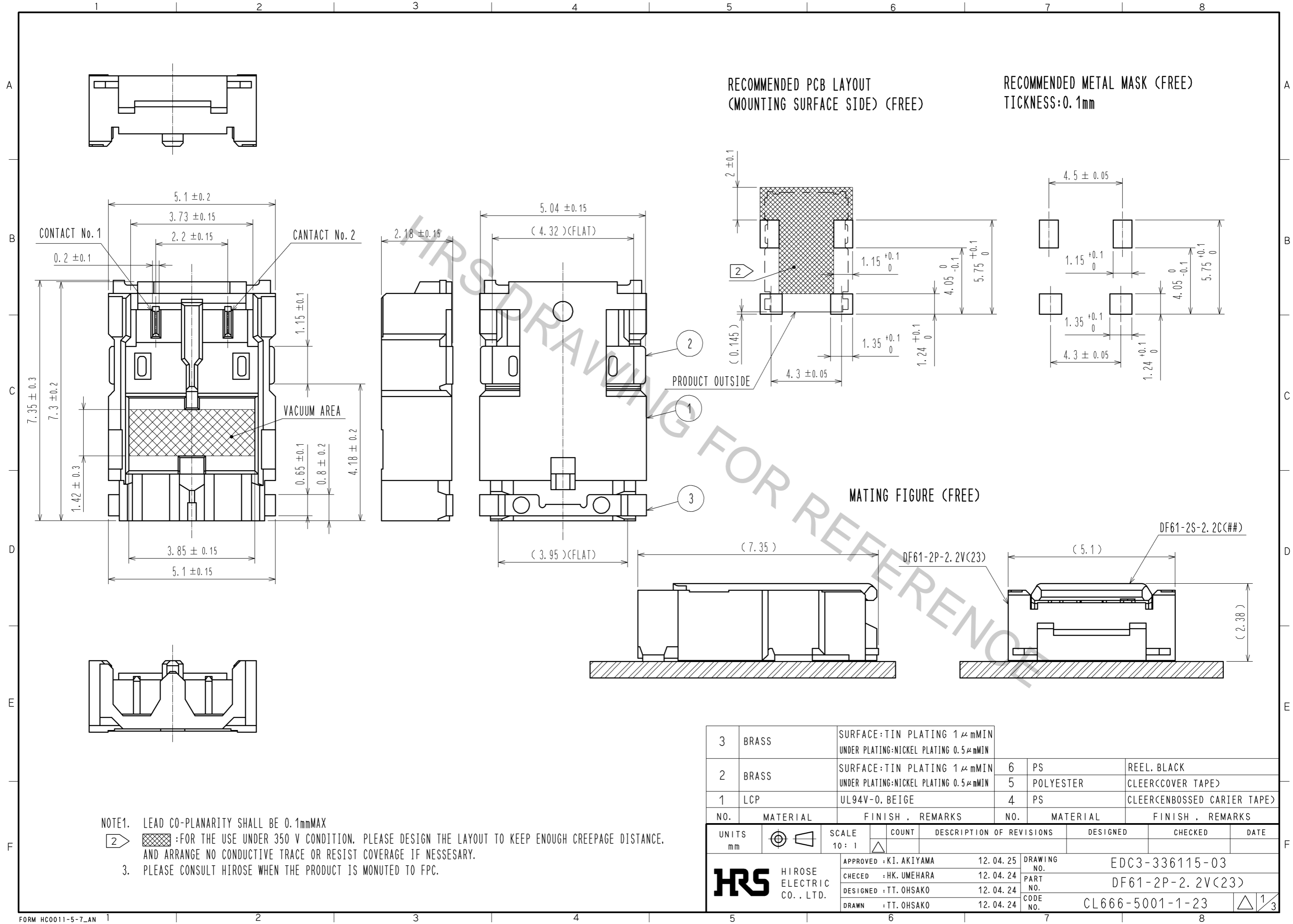


Nov.1.2016 Copyright 2016 HIROSE ELECTRIC CO., LTD. All Rights Reserved.



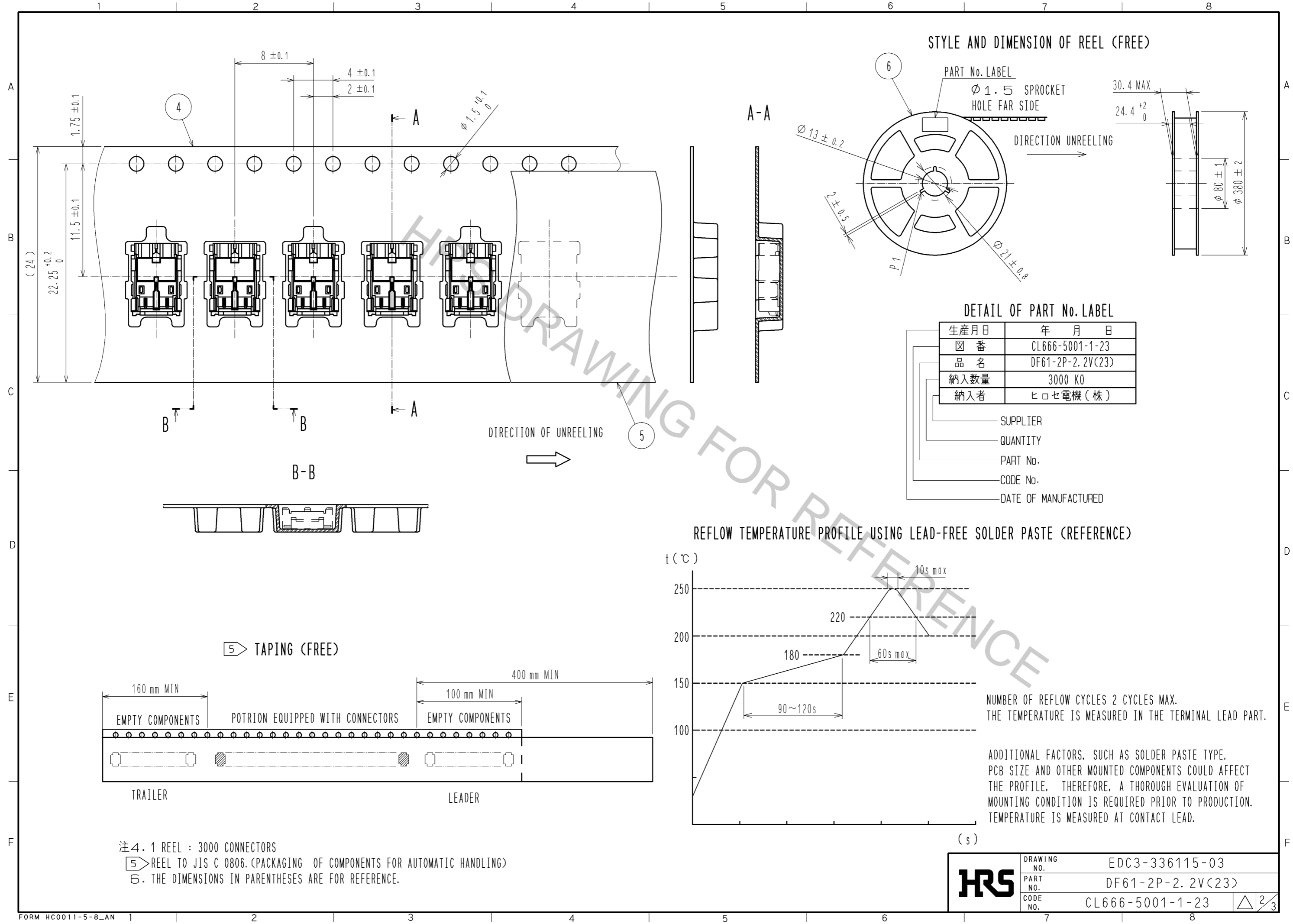
NOTE1. LEAD CO-PLANARITY SHALL BE 0.1mmMAX

2. :FOR THE USE UNDER 350 V CONDITION. PLEASE DESIGN THE LAYOUT TO KEEP ENOUGH CREEPAGE DISTANCE. AND ARRANGE NO CONDUCTIVE TRACE OR RESIST COVERAGE IF NECESSARY.

3. PLEASE CONSULT HIROSE WHEN THE PRODUCT IS MONUTED TO FPC.

3	BRASS	SURFACE:TIN PLATING 1μmMIN UNDER PLATING:NICKEL PLATING 0.5μmMIN			
2	BRASS	SURFACE:TIN PLATING 1μmMIN UNDER PLATING:NICKEL PLATING 0.5μmMIN	6	PS	REEL. BLACK
1	LCP	UL94V-0. BEIGE	5	POLYESTER	CLEER(COVER TAPE)
			4	PS	CLEER(CENBOSSED CARRIER TAPE)
NO.	MATERIAL	FINISH . REMARKS	NO.	MATERIAL	FINISH . REMARKS
UNITS mm		SCALE 10:1	COUNT	DESCRIPTION OF REVISIONS	
				DESIGNED	CHECKED
				DATE	
APPROVED :KI. AKIYAMA			12.04.25	DRAWING NO. EDC3-336115-03	
CHECED :HK. UMEHARA			12.04.24	PART NO. DF61-2P-2.2V(23)	
DESIGNED :TT. OHSAKO			12.04.24	CODE NO. CL666-5001-1-23	
DRAWN :TT. OHSAKO			12.04.24		

Nov.1.2016 Copyright 2016 HIROSE ELECTRIC CO., LTD. All Rights Reserved.



STYLE AND DIMENSION OF REEL (FREE)

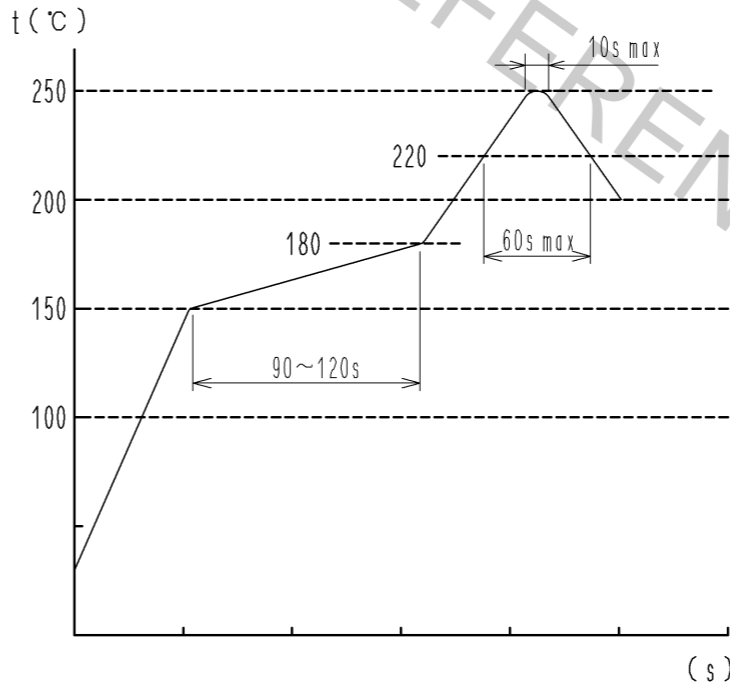
PART No. LABEL
 Ø 1.5 SPROCKET
 HOLE FAR SIDE

DETAIL OF PART No. LABEL

生産月日	年 月 日
☒ 番	CL666-5001-1-23
品名	DF61-2P-2.2V(23)
納入数量	3000 K0
納入者	ヒロセ電機(株)

- SUPPLIER
- QUANTITY
- PART No.
- CODE No.
- DATE OF MANUFACTURED

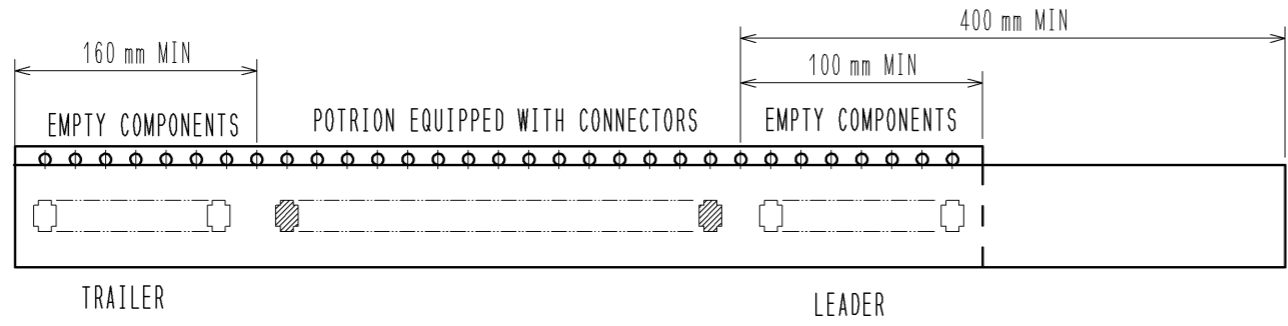
REFLOW TEMPERATURE PROFILE USING LEAD-FREE SOLDER PASTE (REFERENCE)



NUMBER OF REFLOW CYCLES 2 CYCLES MAX.
 THE TEMPERATURE IS MEASURED IN THE TERMINAL LEAD PART.

ADDITIONAL FACTORS, SUCH AS SOLDER PASTE TYPE,
 PCB SIZE AND OTHER MOUNTED COMPONENTS COULD AFFECT
 THE PROFILE. THEREFORE, A THOROUGH EVALUATION OF
 MOUNTING CONDITION IS REQUIRED PRIOR TO PRODUCTION.
 TEMPERATURE IS MEASURED AT CONTACT LEAD.

5 TAPING (FREE)



注4.1 REEL : 3000 CONNECTORS
 5 REEL TO JIS C 0806. (PACKAGING OF COMPONENTS FOR AUTOMATIC HANDLING)
 6. THE DIMENSIONS IN PARENTHESES ARE FOR REFERENCE.

HRS	DRAWING NO.	EDC3-336115-03
	PART NO.	DF61-2P-2.2V(23)
	CODE NO.	CL666-5001-1-23
		△ 2/3

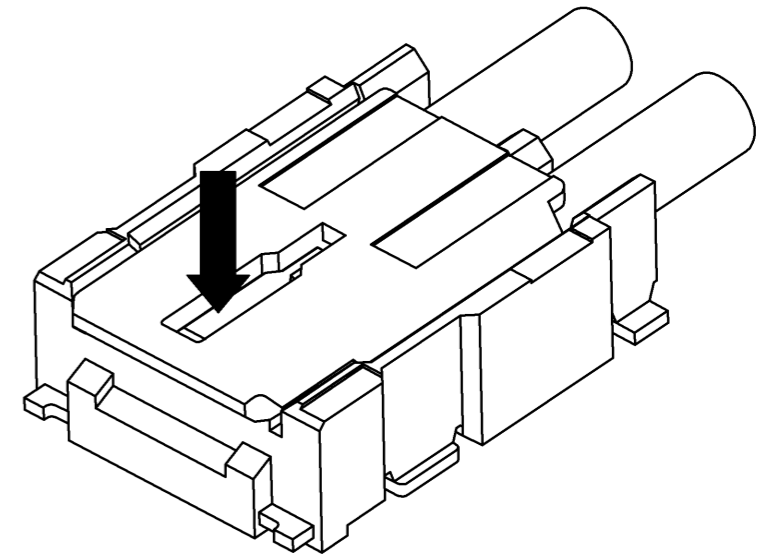
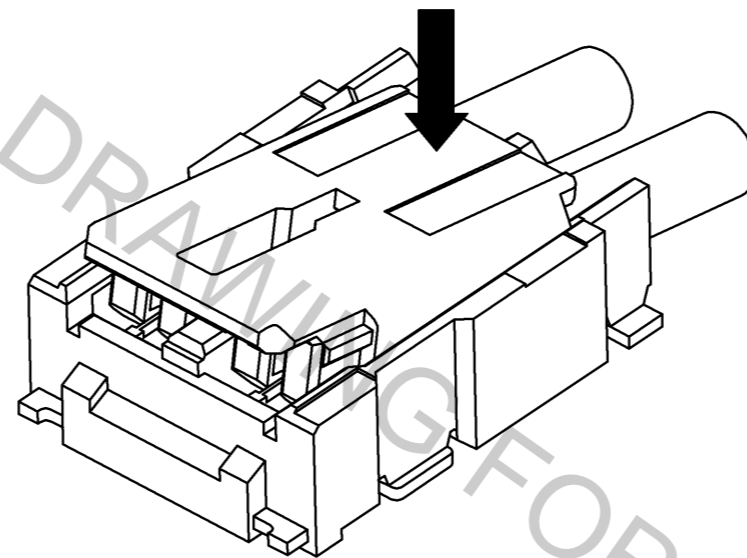
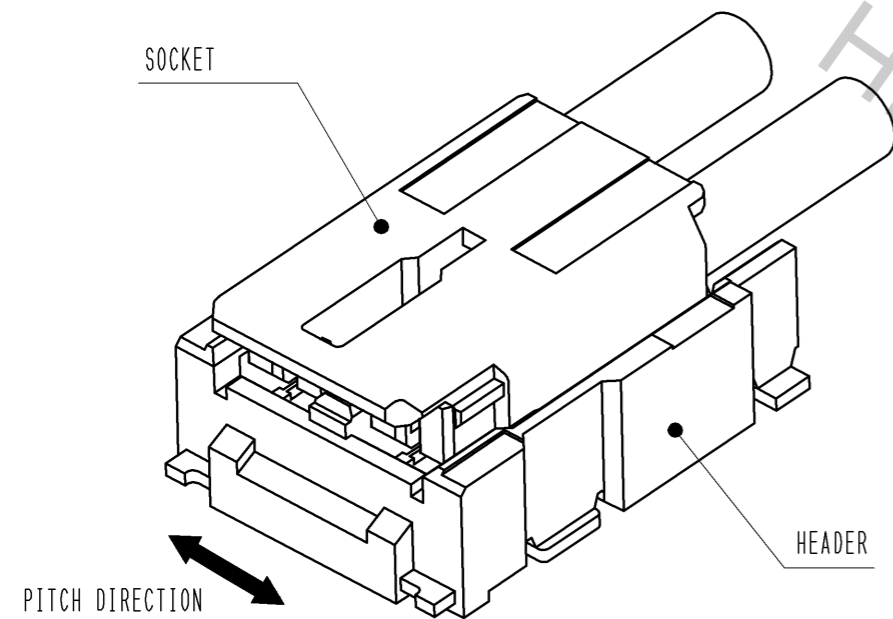
DF61 Series Mating / Unmating Operation Instruction

Mating

① By positioning the convexity of the socket sides to the header concavity, align the centers of the socket and the header in pitch direction.

② Slightly press the socket down at cable side to tilted angle.

③ Press down at the lever side with stabilizing the cable side to insert. Mating completes.

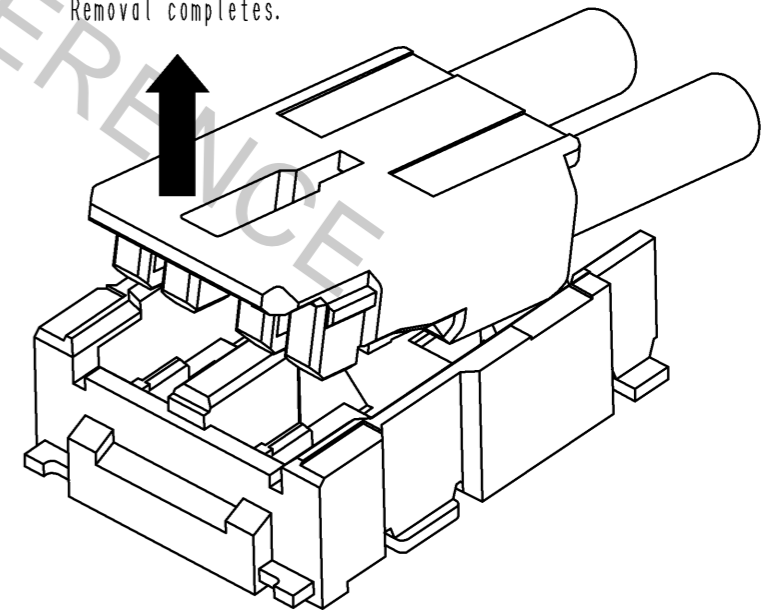
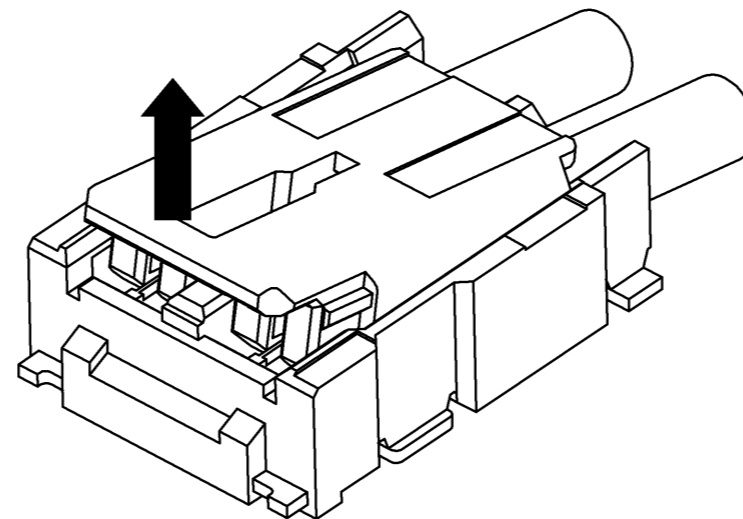
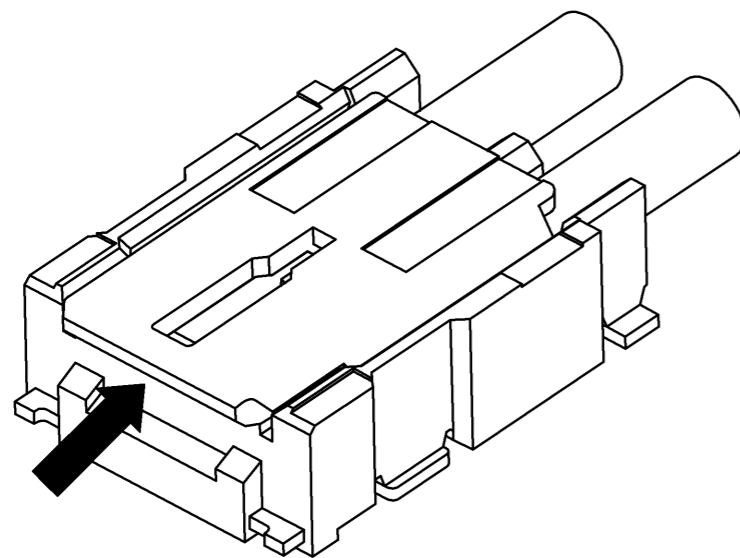


Unmating

① Hook the lever with finger nail.

② Lift up to the upper direction and friction lock is released.

③ Lift up to the upper direction and positive lock is released. Removal completes.



HRS

図番: EDC3-336115-03
 製品名: DF61-2P-2.2V(23)
 製品コード: CL666-5001-1-23

△ 3/3

Nov.1.2016 Copyright 2016 HIROSE ELECTRIC CO., LTD. All Rights Reserved.