



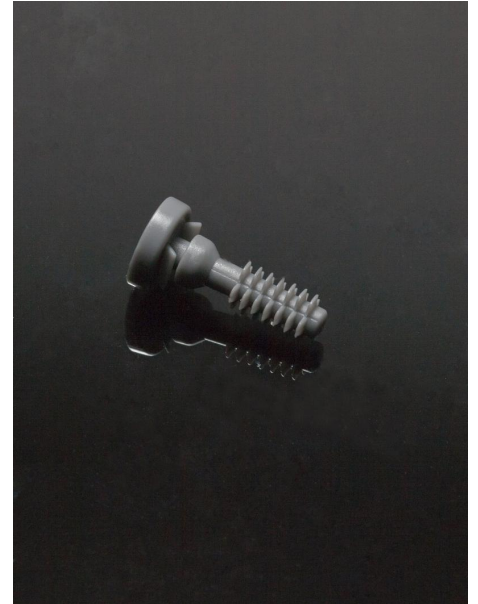
# PRODUCT DATASHEET

## Florence series

last update 30/3/2015

### DETAILS

<b>Product Number</b>	C14437_FLORENCE-PF-3R
<b>Family</b>	Florence
<b>Type</b>	Accessory
<b>Color</b>	grey
<b>Diameter</b>	8.59 mm
<b>Height</b>	16.59 mm
<b>Style</b>	
<b>Optic Material</b>	
<b>Holder Material</b>	POM
<b>Fastening</b>	
<b>Status</b>	ready
<b>ROHS Compliant</b>	Yes
<b>Date Updated</b>	30/03/2015



### OPTICAL PROPERTIES

LED	Viewing Angle	Light Beam	Efficiency	cd/lm	Connector
Unknown	N/A deg		-	sim: 0.000	-

D

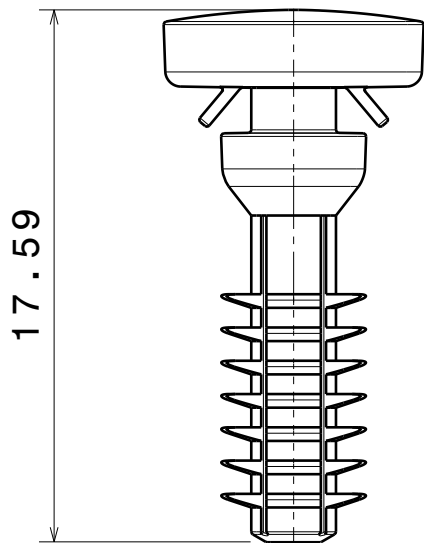
C

B

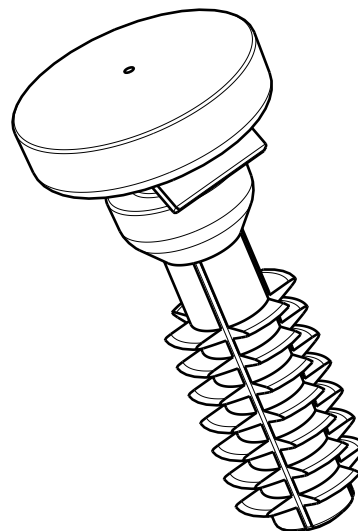
A

4

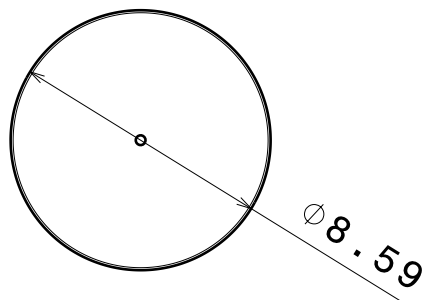
4



Front view



Isometric view



Top view

Notes:  
 Incompatible with F14170\_FLORENCE-ZT25  
 Designed for M4 screw holes.

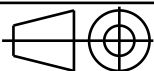
INDEX	PART NO	DESCRIPTION	MATERIAL	COLOUR
1	C14437	FLORENCE - PF - 3R	PA66GF30	grey

Tolerances if not otherwise shown  
 According to DIN ISO 2768-1  
 Linear measures:  
 Up to 30mm class M, otherwise class C.  
 According to DIN ISO 2768-2  
 Form and position: class L



Ledil Oy  
 Salorankatu 10  
 FIN 24240 SALO  
 Finland

THIRD ANGLE PROJECTION:



DRAWING TITLE

C14437\_FLORENCE - PF - 3R

This drawing is the property  
 of LEDiL Oy. It may not be  
 reproduced, copied or  
 communicated without a written  
 agreement with LEDiL Oy.

SIZE	PART NUMBER
------	-------------

A4

C14437

SCALE	4:1	WEIGHT	0,37 g	SHEET	1/1
-------	-----	--------	--------	-------	-----

D

A

1

1

**NOTE: The typical divergence will be changed by different color, chip size and chip position tolerance. The typical total divergence is the full angle measured where the luminous intensity is half of the peak value.**