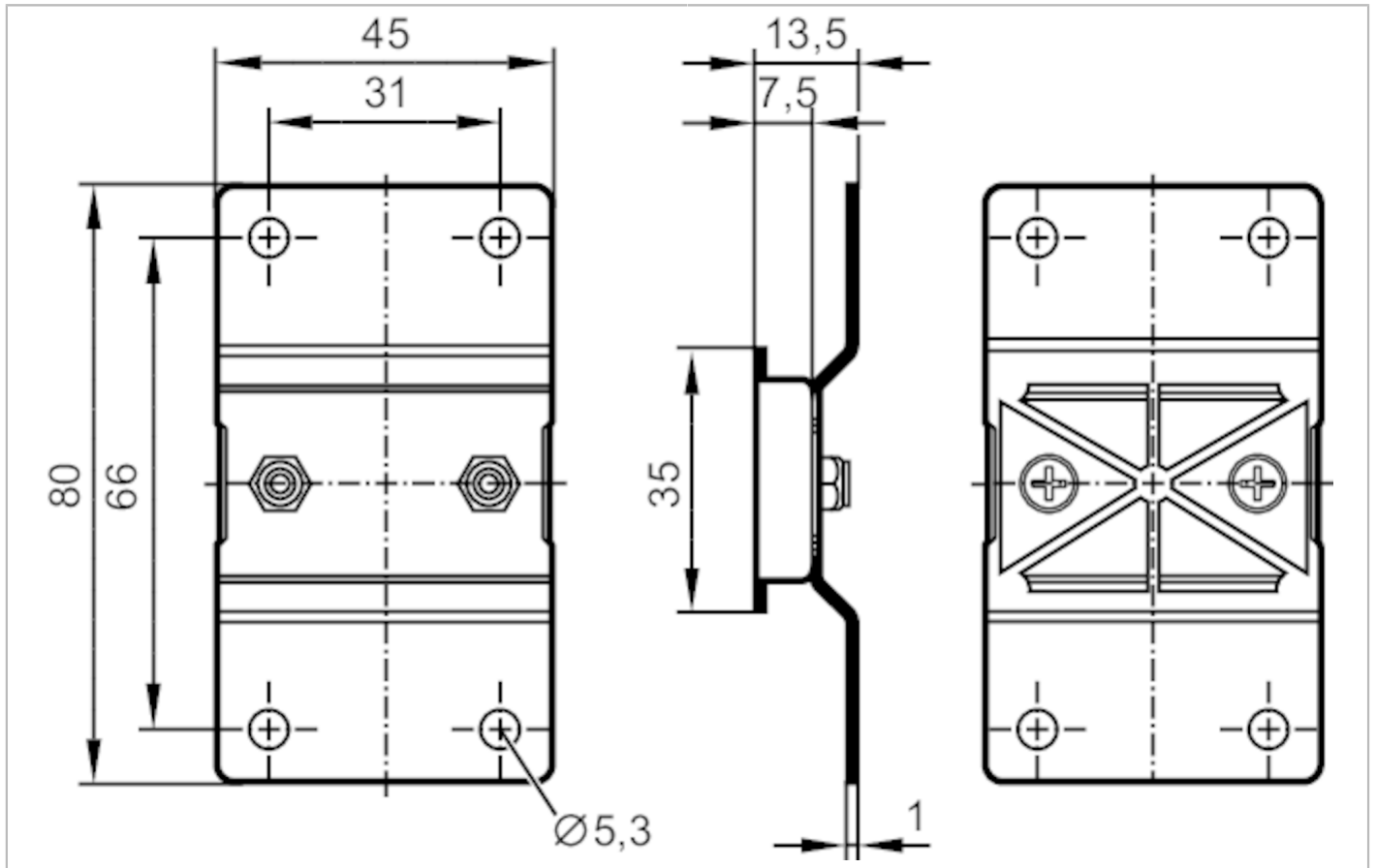


E75396



DIN rail adapter

Mounting plate push button



Application

Design suited for illuminated pushbutton modules, AC2386, AC2388, AC2396, AC2398

Mechanical data

Weight [g] 43

Materials Mounting plate: stainless steel (304/1.4301); DIN rail adapter: PC; lock nuts: galvanised

Remarks

Pack quantity 1 pcs.