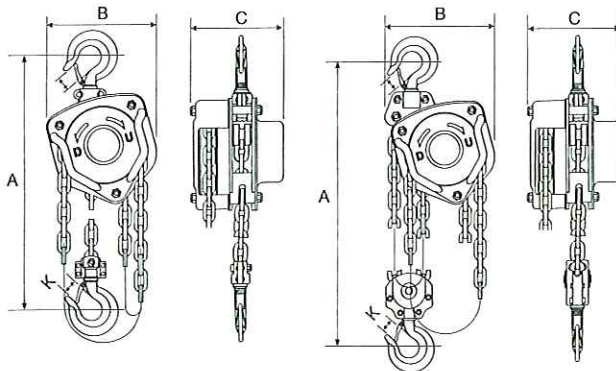


Chain Block - Capacities 500 kg to 20 tonnes

- Lightweight robust construction
- Super strength alloy loadchain
- Fully machined liftwheel
- Minimum headroom
- Minimum effort to raise maximum load
- Cast steel safety latches
- Lower hook complete with thrust race
- Fully enclosed gear train
- Weather protected automatic Weston brake with unique Twin Pawls
- Galvanised handchain as standard
- Durable baked enamel paint protection
- Spare parts always available



Dimensions



0.5, 1, 1.5 & 2 tonne

3, 5 & 10 tonne

Product Code	CB.5BD	CB1BD	CB1.5BD	CB2BD	CB3BD	CB5BD	CB10BD
Safe Working Load	500 kg	1 t	1.5t	2 t	3 t	5 t	10 t
Standard lift	3 m	3 m	3 m	3 m	3 m	3 m	3m
Falls of chain	1	1	1	1	2	2	4
Effort to lift S.W.L.	23 kg	30 kg	32 kg	35 kg	27 kg	41 kg	39 kg
Net weight	10 kg	12 kg	13 kg	22 kg	32 kg	46 kg	68 kg
Loadchain diameter	6 mm	6 mm	8 mm	8 mm	8 mm	10 mm	10 mm
CLEARANCE DIMENSIONS (mm)							
A (Headroom)	270	317	399	414	465	636	750
B (Width)	127	158	187	187	210	253	373
C (Depth)	131	140	161	161	161	161	184
Hook opening (upper)	30	28	36	33.5	40	50	64
Hook opening (lower)	30	28	36	33.5	40	50	64