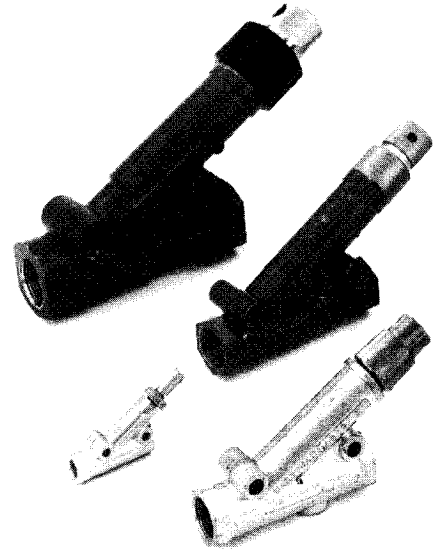




Flow Regulators
G¹/₈, G¹/₄, G¹/₂, G³/₄, G1

- Line mounted general purpose regulators
- Captive regulating needle will not blow out when unscrewed
- Calibrated adjusting knob, can be locked



Technical Data

Medium:
Compressed air, filtered, lubricated and non-lubricated

Operation:
Uni-directional

Mounting:
Line mounted, concentrically

Port Sizes:
G¹/₈, G¹/₄, G¹/₂, G³/₄, G1

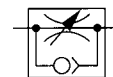
Operating Pressure:
0,3 - 17 bar

Operating Temperature:
-20°C* to +80°C

*Consult our Technical Service for use below +2°C

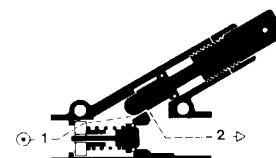
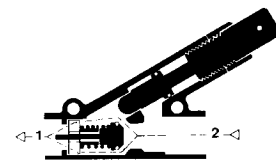
Alternative Models

N.P.T. ports



Materials

Brass body, adjusting knob, and locking ring (S/836, M/837 M/839), aluminium body, adjusting knob and locking ring (M/840, M/855), nitrile rubber seals.

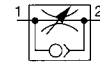


Ordering Information

To order, quote model number from table overleaf, e.g. M/837 for the G¹/₄ model



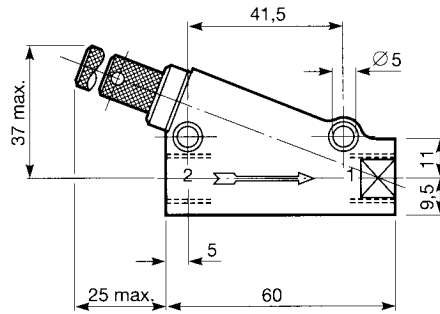
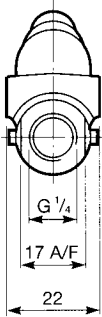
Flow Regulator



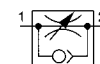
Model Number: **M/837**

Type: Uni-directional

Free flow is from '2' to '1', indicated by arrow



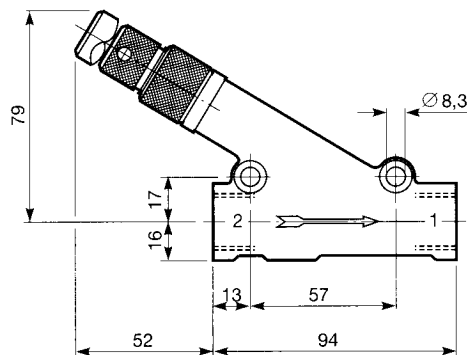
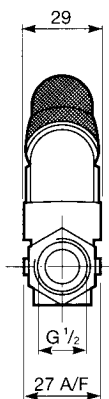
Flow Regulator



Model Number: **M/839**

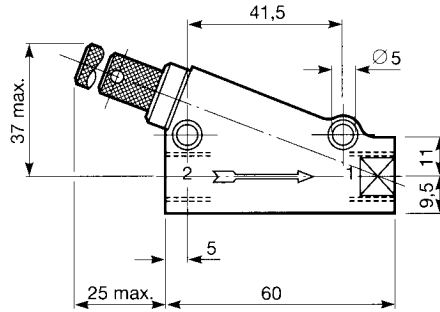
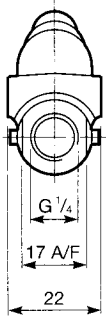
Type: Uni-directional

Free flow is from '2' to '1', indicated by arrow





Flow Regulator

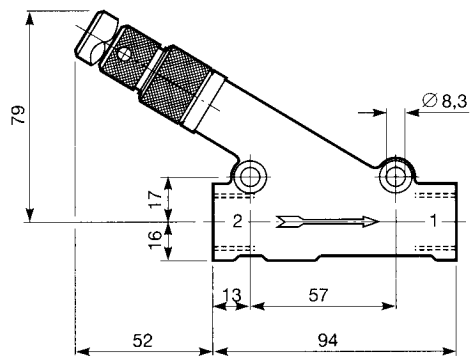
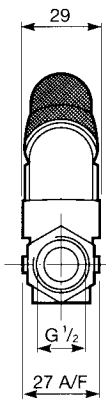


Model Number: **M/837**

Type: Uni-directional

Free flow is from '2' to '1', indicated by arrow

Flow Regulator



Model Number: **M/839**

Type: Uni-directional

Free flow is from '2' to '1', indicated by arrow



S/836, M/837, M/839, M/840, M/855

General Information

Model	Type	Port size	Weight (kg)	Spare kit
S/836	Uni-directional	G $\frac{1}{8}$	0,10	QS/520/00
M/837	Uni-directional	G $\frac{1}{4}$	0,15	QS/521/00
M/839	Uni-directional	G $\frac{1}{2}$	0,60	QS/522/00
M/840	Uni-directional	G $\frac{3}{4}$	1,20	QS/523/00
M/855	Uni-directional	G1	3,50	QS/524/00

Warning

These products are intended for use in industrial compressed air systems only. Do not use these products where *pressures* and *temperatures* can exceed those listed under '**Technical Data**'.

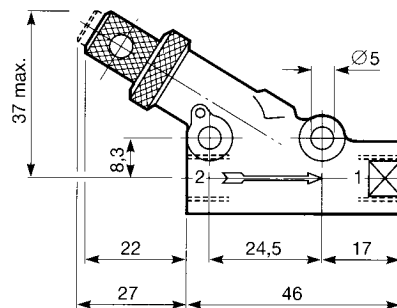
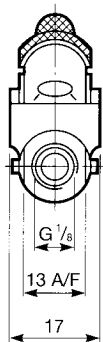
Before using these products with fluids other than those specified, for non-industrial applications, life-support systems, or other applications not within published specifications, consult NORGREN MARTONAIR.

Through misuse, age, or malfunction, components used in fluid power systems can fail in various modes. The system designer is warned to consider the failure modes of all component parts used in fluid power systems and to provide adequate safeguards to prevent personal injury or damage to equipment in the event of such failure.

System designers must provide a warning to end users in the system instructional manual if protection against a failure mode cannot be adequately provided.

System designers and end users are cautioned to review specific warnings found in instruction sheets packed and shipped with these products.

Flow Regulator



Model Number: **S/836**

Type: Uni-directional

Free flow is from '2' to '1', indicated by arrow