

SAC-5P-M12MS/ 2,0-PUR/M12FR3LVW - Sensor/actuator cable



1501537

<https://www.phoenixcontact.com/gb/products/1501537>

Please be informed that the data shown in this PDF document is generated from our online catalog. Please find the complete data in the user documentation. Our general terms of use for downloads are valid.



Sensor/actuator cable, 5-position, PUR halogen-free, irradiated, orange RAL 2003, Plug straight M12, coding: A, with 3 LEDs, on Socket angled M12, coding: A, with 3 LEDs, cable length: 2 m, Customer-specific version

Commercial data

Item number	1501537
Packing unit	5 pc
Minimum order quantity	25 pc
Note	Made to order (non-returnable)
Sales key	AF1CDA
Product key	AF1CDA
GTIN	4017918604226
Weight per piece (including packing)	109.3 g
Weight per piece (excluding packing)	107.91 g
Customs tariff number	85444290
Country of origin	PL

SAC-5P-M12MS/ 2,0-PUR/M12FR3LVW - Sensor/actuator cable



1501537

<https://www.phoenixcontact.com/gb/products/1501537>

Technical data

Product properties

Product type	Sensor/actuator cable
Number of positions	5
No. of cable outlets	1
Coding	A

Insulation characteristics

Overvoltage category	II
Degree of pollution	3

Material specifications

Flammability rating according to UL 94	HB
Seal material	NBR
Material of grip body	TPU, hardly inflammable, self-extinguishing
Contact material	CuSn
Contact surface material	Ni/Au
Contact carrier material	TPU GF
Material for screw connection	Zinc die-cast, nickel-plated

Electrical properties

Rated voltage in acc. with IEC 61076-2-101	60 V
Insulation resistance	$\geq 100 \text{ M}\Omega$
Nominal voltage U_N	24 V
Nominal current I_N	4 A

Mechanical properties

Mechanical data

Insertion/withdrawal cycles	≥ 100
-----------------------------	------------

Signaling

Status display	3 LEDs
Status display present	yes

Connector

Connection 1

Type	Plug straight M12
Number of positions	5
Coding type	A

Connection 2

SAC-5P-M12MS/ 2,0-PUR/M12FR3LVW - Sensor/actuator cable

1501537


<https://www.phoenixcontact.com/gb/products/1501537>

Type	Socket angled M12
Number of positions	5
Coding type	A

Cable/line

Cable length	2 m
--------------	-----

PUR irradiated halogen-free orange [150]

Dimensional drawing	
Number of positions	5
Shielded	no
Cable type	PUR irradiated halogen-free orange [150]
Conductor structure signal line	42x 0.10 mm
AWG signal line	22
Conductor structure, voltage supply	24x 0.15 mm
AWG power supply	20
Conductor cross section	4x 0.34 mm ² (Signal line) 1x 0.5 mm ² (PE connection)
External cable diameter	5.20 mm ±0.2 mm
Outer sheath, material	PUR
External sheath, color	orange RAL 2003
Conductor material	Bare Cu litz wires
Material wire insulation	PE
Single wire, color	brown, white, blue, black, green-yellow
Overall twist	5 cores, twisted
Max. conductor resistance	≤ 57.5 Ω/km (with 0.34 mm ² conductor cross section) ≤ 39 Ω/km (with 0.5 mm ² conductor cross section)
Nominal voltage, cable	250 V (AC)
Test voltage	2000 V (50 Hz, 5 minutes)
Smallest bending radius, fixed installation	20 mm
Smallest bending radius, movable installation	30 mm
Dynamic load capacity (bending)	Max. bending cycles: 5000000, Bending radius: 52 mm, Traversing path: 10 m, Traversing rate: 3 m/s
Halogen-free	The cable is halogen-free
Flame resistance	DIN VDE 0472 part 804, test type B hydrolysis and microbe resistant

SAC-5P-M12MS/ 2,0-PUR/M12FR3LVW - Sensor/actuator cable



1501537

<https://www.phoenixcontact.com/gb/products/1501537>

Other resistance	UV resistant
	Resistant to welding splashes
Special properties	Silicone-free
	Irradiated
Ambient temperature (operation)	-50 °C ... 105 °C (cable, fixed installation)
	-40 °C ... 105 °C (Cable, flexible installation)

Environmental and real-life conditions

Ambient conditions

Degree of protection	IP65
	IP67
	IP68
Ambient temperature (operation)	-25 °C ... 90 °C (Plug / socket)
	-50 °C ... 105 °C (cable, fixed installation)
	-40 °C ... 105 °C (Cable, flexible installation)

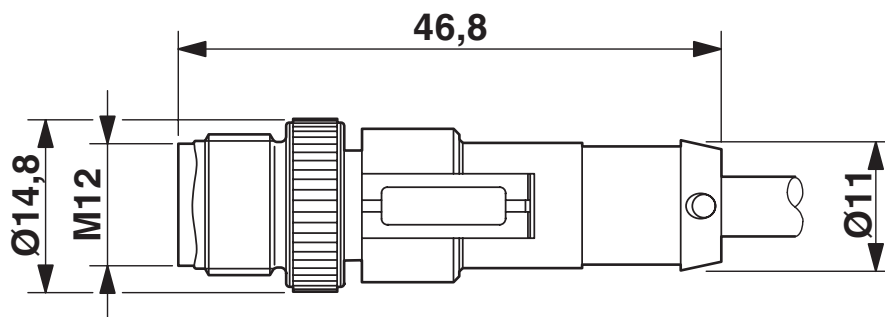
SAC-5P-M12MS/ 2,0-PUR/M12FR3LVW - Sensor/actuator cable

1501537

<https://www.phoenixcontact.com/gb/products/1501537>

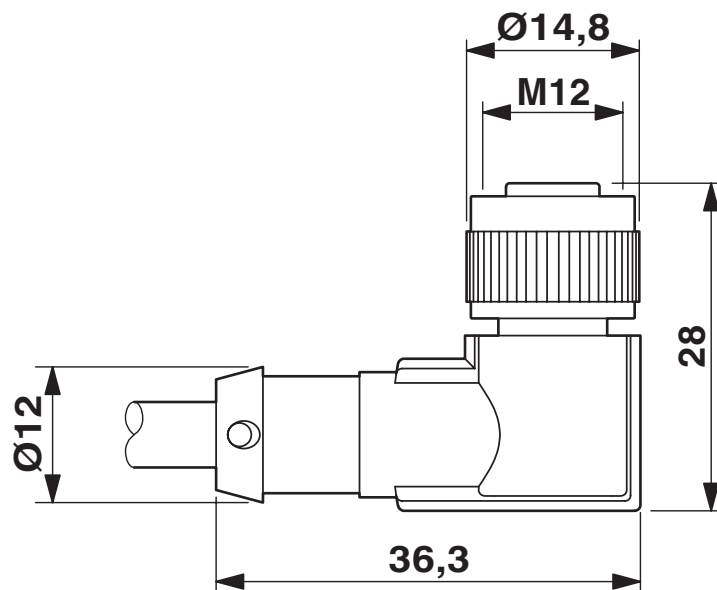
Drawings

Dimensional drawing



Plug, M12 x 1, straight, shielded

Dimensional drawing



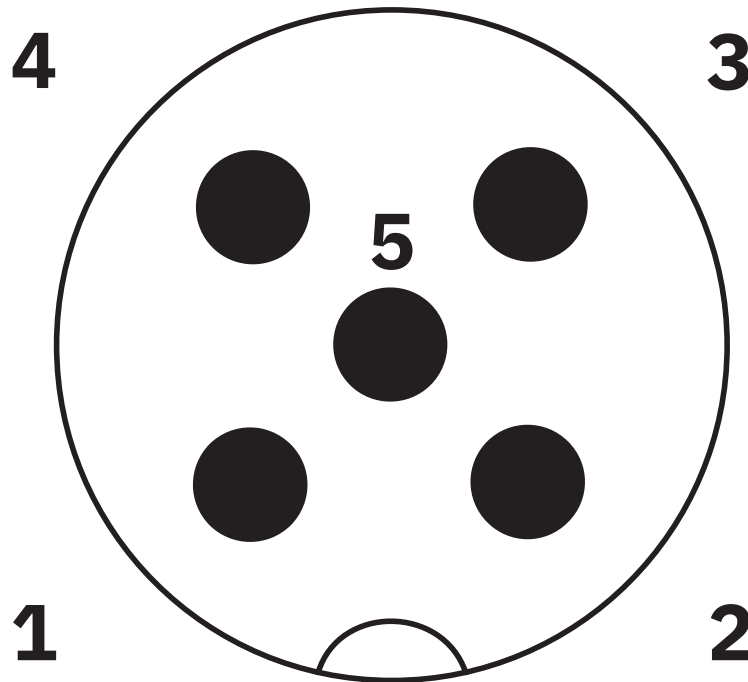
M12 x 1 socket, angled

SAC-5P-M12MS/ 2,0-PUR/M12FR3LVW - Sensor/actuator cable

1501537

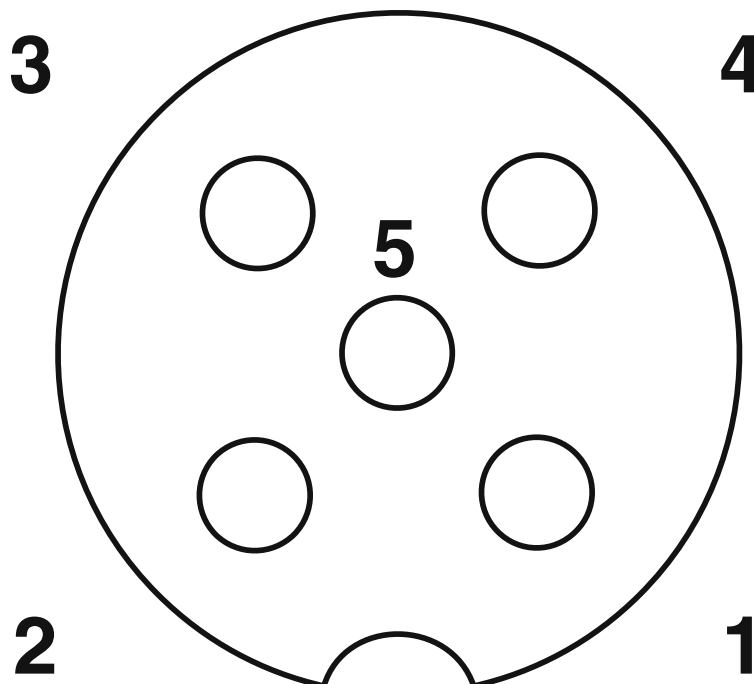
<https://www.phoenixcontact.com/gb/products/1501537>

Schematic diagram



Pin assignment M12 male connector, 5-pos., A-coded, male side

Schematic diagram



Pin assignment M12 socket, 5-pos., A-coded, socket side view

SAC-5P-M12MS/ 2,0-PUR/M12FR3LVW - Sensor/actuator cable





1501537


<https://www.phoenixcontact.com/gb/products/1501537>

Approvals

To download certificates, visit the product detail page: <https://www.phoenixcontact.com/gb/products/1501537>

 UL Listed Approval ID: FILE E 221474	Nominal voltage U_N	Nominal current I_N	Cross section AWG	Cross section mm^2
	24 V	4 A	-	-

 cUL Listed Approval ID: FILE E 221474	Nominal voltage U_N	Nominal current I_N	Cross section AWG	Cross section mm^2
	24 V	4 A	-	-

 EAC-RoHS Approval ID: RU D-DE.HB35.B.00387
--

SAC-5P-M12MS/ 2,0-PUR/M12FR3LVW - Sensor/actuator cable



1501537

<https://www.phoenixcontact.com/gb/products/1501537>

Classifications

ECLASS

ECLASS-13.0	27060311
-------------	----------

ETIM

ETIM 9.0	EC001855
----------	----------

UNSPSC

UNSPSC 21.0	26121600
-------------	----------

SAC-5P-M12MS/ 2,0-PUR/M12FR3LVW - Sensor/actuator cable



1501537

<https://www.phoenixcontact.com/gb/products/1501537>

Environmental product compliance

EU RoHS

Fulfills EU RoHS substance requirements	Yes, No exemptions
---	--------------------

China RoHS

Environment friendly use period (EFUP)	EFUP-E
	No hazardous substances above the limits

EU REACH SVHC

REACH candidate substance (CAS No.)	No substance above 0.1 wt%
-------------------------------------	----------------------------

Phoenix Contact 2025 © - all rights reserved
<https://www.phoenixcontact.com>

PHOENIX CONTACT Ltd
Halesfield 13, Telford
Shropshire, TF7 4PG
01952 681700
info@phoenixcontact.co.uk