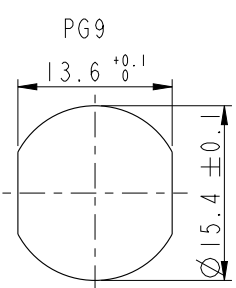
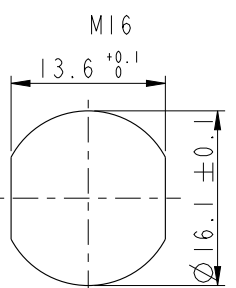


THIS DOCUMENT IS SUBJECT TO CHANGE WITHOUT NOTICE. IT IS CONFIDENTIAL AND A PROPERTY OF AMPHENOL LTW. DISCLOSURE TO THIRD PARTY HAS TO BE AUTHORIZED BY AMPHENOL LTW.

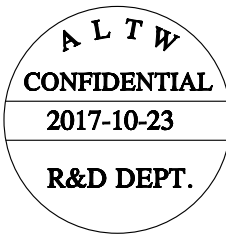
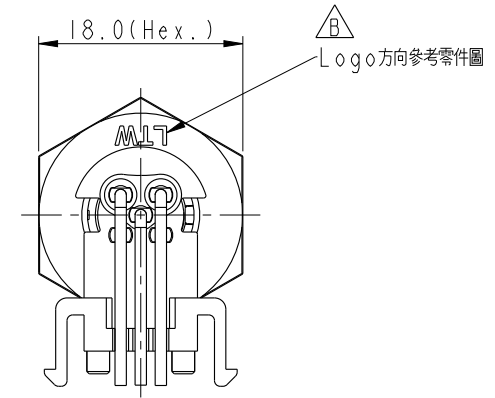
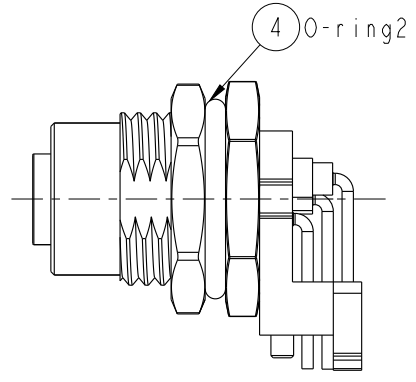
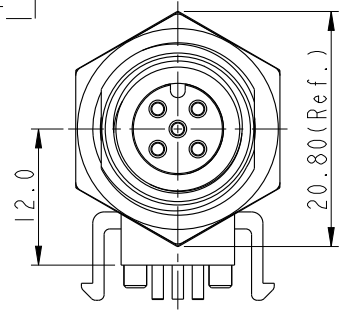
REV.	ECN NO.	DATE	SIGN	DESCRIPTION
B	LEN17A0191~96	2017-10-23	Frank Deng	Update Drawing



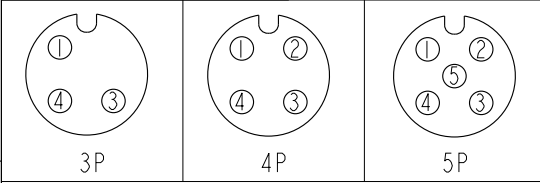
Recommended Panel Cut-Out



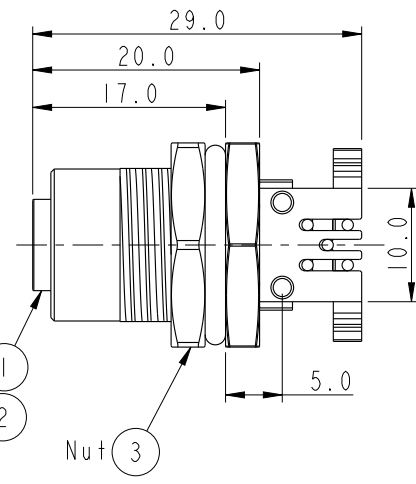
Recommended Panel Cut-Out



M12A-03PFFR-SF8002
M12A-04PFFR-SF8002
M12A-05PFFR-SF8002
M12A-03PFFR-SF8001
M12A-04PFFR-SF8001
M12A-05PFFR-SF8001
Item No.



Pin Assignment Front View



Note:

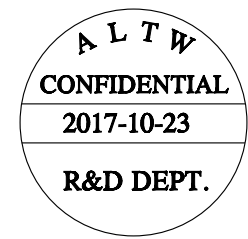
- * Ⓞ Important Dimension To Check.
- * Waterproof Rate: IP68.
IP68: 1M Depth Of Water In 24hours.
- * Connector: Nylon+GF, Black
- * Female Pin: Copper Alloy, Gold Plated.
- * Shell: Zinc Alloy, Nickel Plated.
- * Nut: Zinc Alloy, Nickel Plated.
- * O-ring1: Silicon, Gray.
- * O-ring2: Silicon, Black.
- * Boardlock: PBT+PC, Black.
- * Rated Voltage: 3 & 4Pin 250V dc. or ac.
5Pin 60V dc. or ac.
- * Rated Current: 3~5Pin 4A
- * For Panel Thickness Max. 4.5mm
- * For PCB Thickness Max. 1.6mm

UNIT: mm			TITLE M12 90° PANEL FCONN FPIN
TOLERANCE .X ±0.25 .XX ±0.1 .XXX ±0.05 ANGLES ±1°	SCALE 3:2	SIZE A4	SHEET 1 OF 2
REV. B	WC-REV. A.2	QC: Inspection item	

Amphenol LTW
安費諾亮泰企業股份有限公司

ITEM NO.	DRAWN BY Frank Deng	DATE 2017-10-23
DWG NO. M12A-XXPFFR-SF8XXX	CHECKED BY Fisher Wang	DATE 2017-10-23
CUSTOMER ALTW	APPROVED BY Kevin Hu	DATE 2017-10-23

THIS DOCUMENT IS SUBJECT TO CHANGE WITHOUT NOTICE. IT IS CONFIDENTIAL AND A PROPERTY OF Amphenol LTW. DISCLOSURE TO THIRD PARTY HAS TO BE AUTHORIZED BY Amphenol LTW.



M 12A - XX P F F R - S F 8 XXX

12A: A-Code

03: 3Pin
04: 4Pin
05: 5Pin

P: Panel (板端)

F: Female Connector (母座)

001: PG9
002: M16

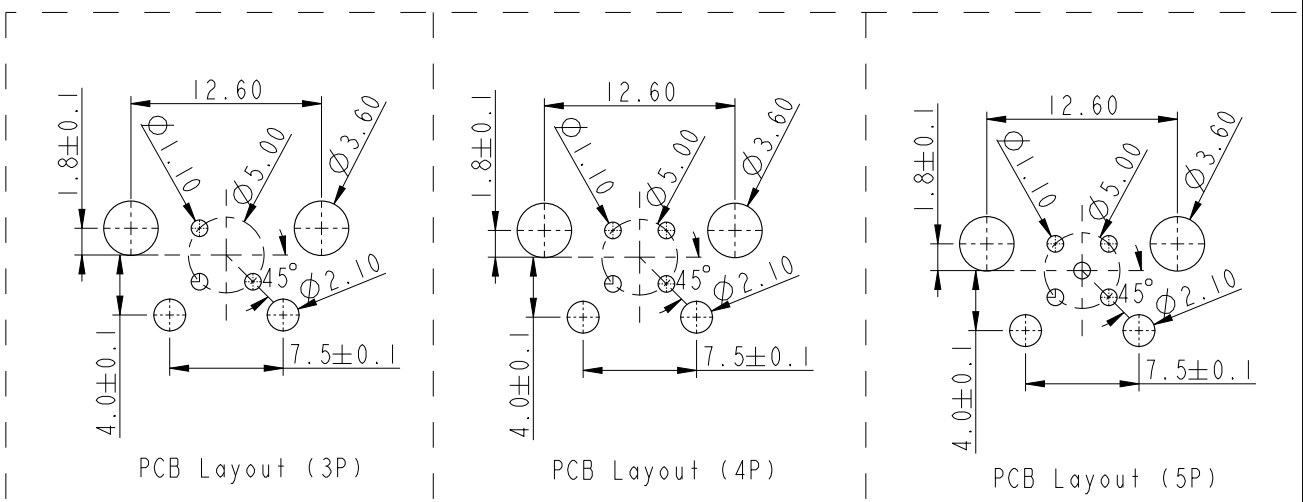
8: IP68 (防水等級68)

F: Front Fasten (前鎖式/Enclosure Rear Mount)

S: Screw (螺紋式)

R: 90° PCB THT/DIP Type (90° 基板插件式)

F: Female Pin (母Pin)



UNIT: mm		
TOLERANCE	.X	±0.25
	.XX	±0.1
	.XXX	±0.05
ANGLES		±1°

TITLE MI2 90° PANEL FCONN FPIN			
SCALE 3:2	SIZE A4	SHEET 2 OF 2	
REV. B	WC-REV. A.2	Ⓞ: Inspection item	

Amphenol LTW
安費諾亮泰企業股份有限公司

ITEM NO	DRAWN BY Frank Deng	DATE 2017-10-23
DWG NO M12A-XXPFFR-SF8XXX	CHECKED BY Fisher Wang	DATE 2017-10-23
CUSTOMER ALTW	APPROVED BY Kevin Hu	DATE 2017-10-23