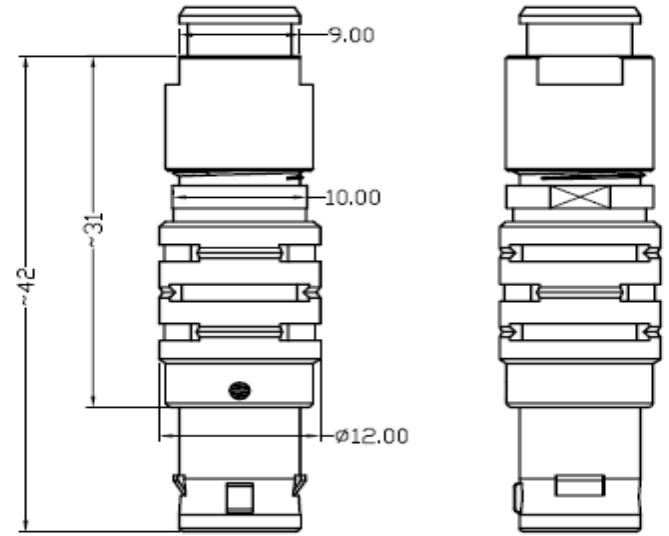


NOTE:

- 1. MATERIAL AND FINISH
 - 1.1. SHELL ASSEMBLY: COPPER ALLOY, OUTER SHELL AND COLLET NUT Cr PLATING, OTHER METALLIC COMPONENTS NI PLATING
 - 1.2. INSULATOR: PEEK
 - 1.3. CONTACT: COPPER ALLOY, GOLD PLATING
- 2. RoHS COMPLIANCE
- 3. PART NO.



CONTACT POS.
02-16=2pln-16pln

SHELL MATERIAL
0=Brass

CABLE OD	
42=OD:	3.1mm-4.2mm
52=OD:	4.2mm-5.2mm
62=OD:	5.2mm-6.2mm
72=OD:	6.2mm-7.2mm
76=OD:	7.2mm-7.6mm

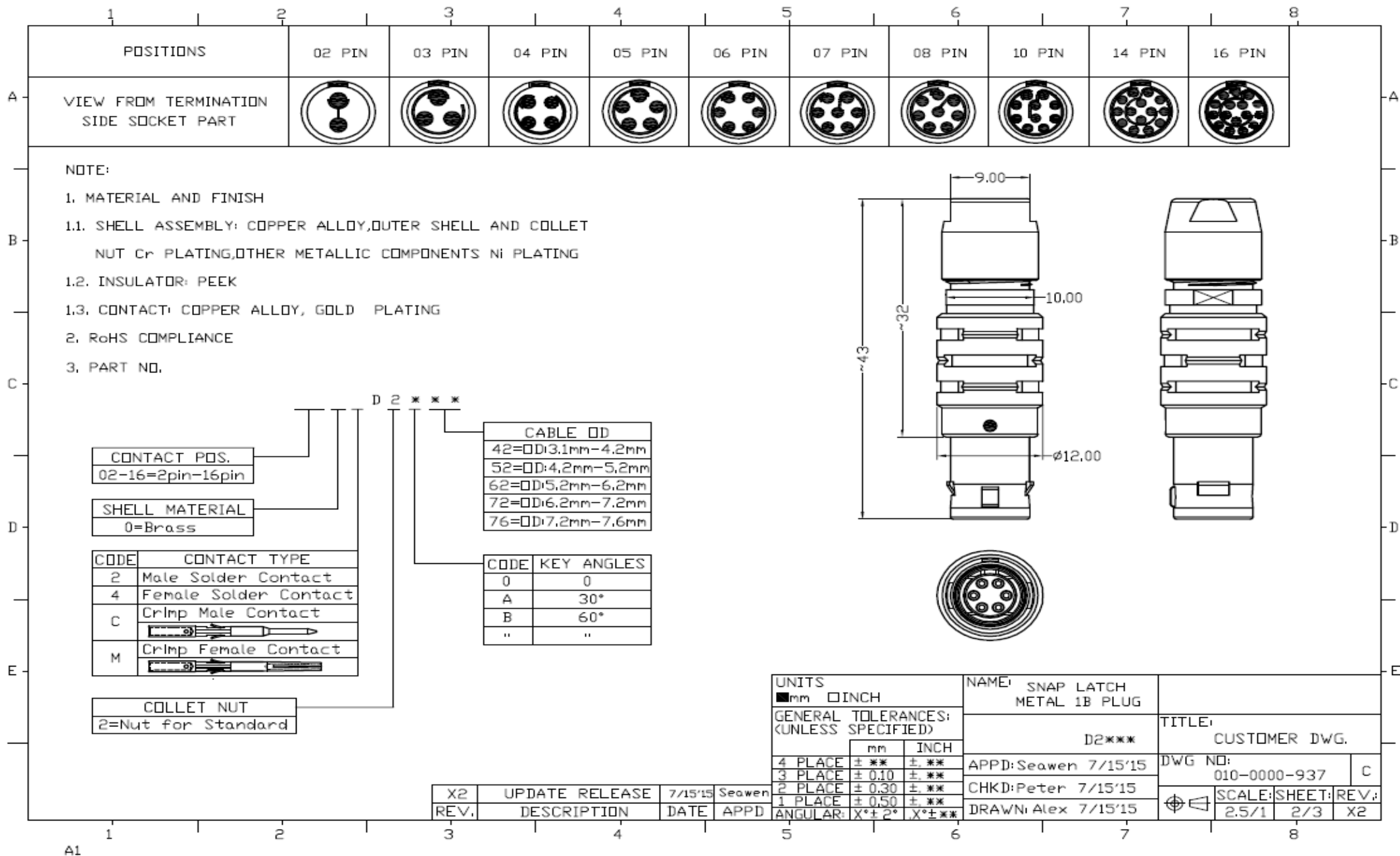
CODE	KEY ANGLES
0	0
A	30°
B	60°
"	"

CODE	CONTACT TYPE
2	Male Solder Contact
4	Female Solder Contact
C	Crimp Male Contact
M	Crimp Female Contact

COLLET NUT
1=Nut for fitting a bend relief

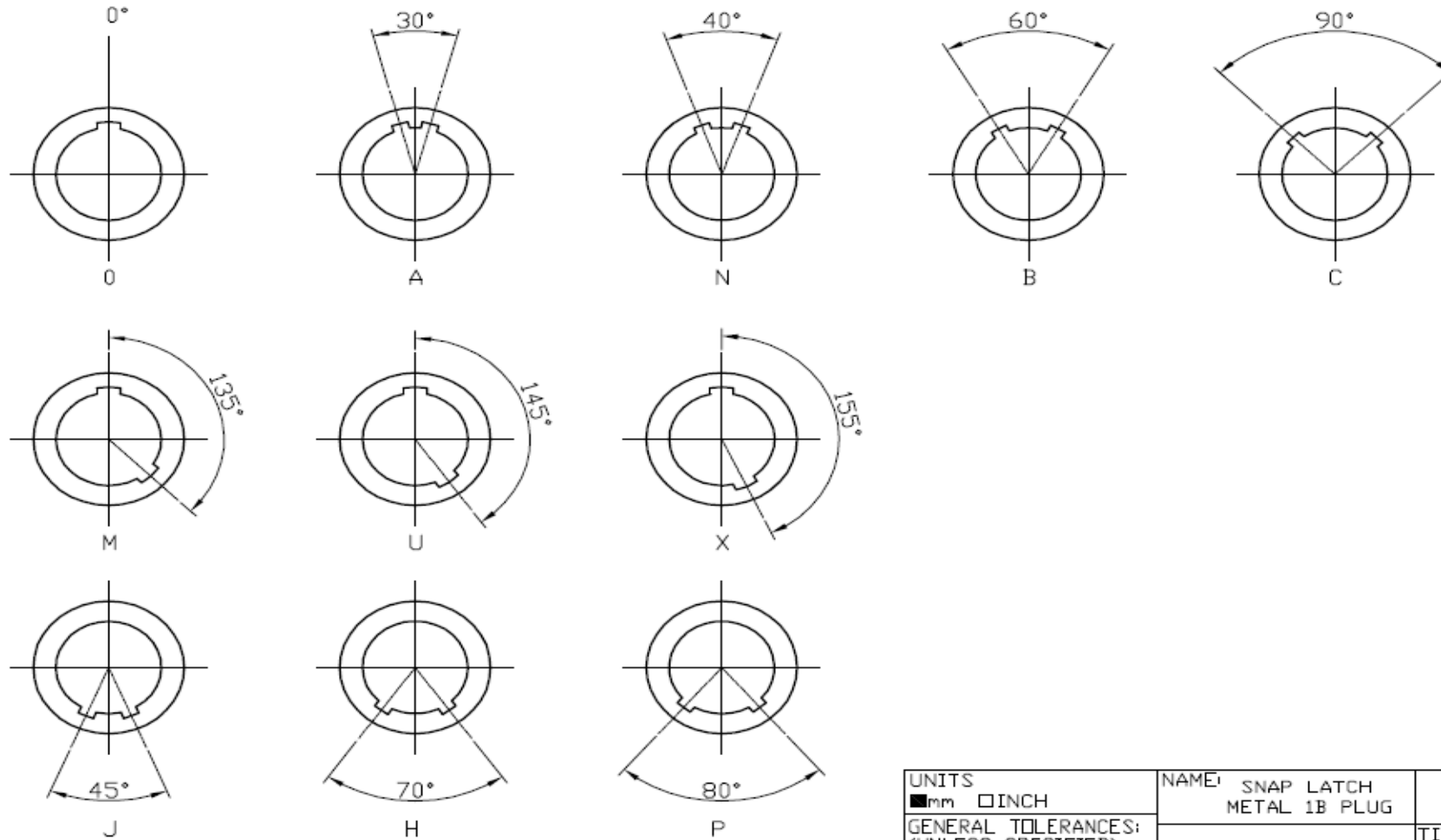
UNITS		NAME: SNAP LATCH METAL 1B PLUG		TITLE: CUSTOMER DWG.	
mm	INCH	D1***		DWG NO: 010-0000-937	
GENERAL TOLERANCES: (UNLESS SPECIFIED)					
4 PLACE	± ***	± ***	± ***	APPD: Seawen 7/15'15	C
3 PLACE	± 0.10	± ***	± ***	CHKD: Peter 7/15'15	
2 PLACE	± 0.30	± ***	± ***	DRAWN: Alex 7/15'15	
1 PLACE	± 0.50	± ***	± ***		
ANGULAR:	X*± 2°	X*± ***			

REV.	DESCRIPTION	DATE	APPD
X2	UPDATE RELEASE	7/15'15	Seawen





KEY ANGLES (RECEPTACLE FRONT VIEW)



UNITS <input checked="" type="checkbox"/> mm <input type="checkbox"/> INCH		NAME: SNAP LATCH METAL 1B PLUG	
GENERAL TOLERANCES: (UNLESS SPECIFIED)		TITLE: CUSTOMER DWG.	
	mm	INCH	
4 PLACE	± **.05	± **.002	APPD: Seawen 7/15'15
3 PLACE	± 0.10	± **.004	DWG NO: 010-0000-937
2 PLACE	± 0.30	± **.015	CHKD: Peter 7/15'15
1 PLACE	± 0.50	± **.020	DRAWN: Alex 7/15'15
ANGULAR:	X° ± 2°	X° ± **.05	SCALE: SHEET: REV.: 2.5/1 3/3 X2

X2	UPDATE RELEASE	7/15'15	Seawen
REV.	DESCRIPTION	DATE	APPD