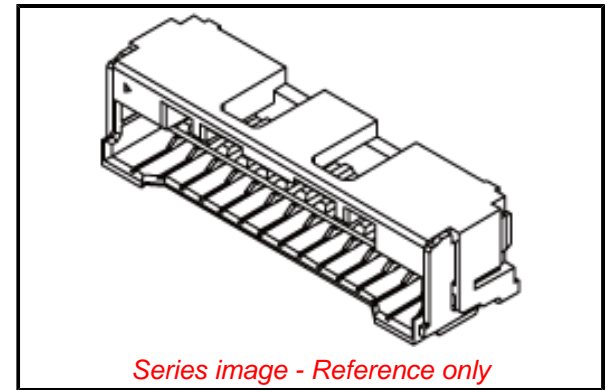


PLEASE CHECK WWW.MOLEX.COM FOR LATEST PART INFORMATION

Part Number: **5025851070**
Status: **Active**
Overview: CLIK-Mate Wire-to-Board Connectors
Description: 1.50mm Pitch CLIK-Mate Wire-to-Board PCB Receptacle, Single Row, Surface Mount, Right-Angle, Tin Plating, 10 Circuits

Documents:

3D Model	Application Specification AS-502578-002-001 (PDF)
Drawing (PDF)	Packaging Specification SPK-502585-001-001 (PDF)
Product Specification PS-502584-001-001 (PDF)	RoHS Certificate of Compliance (PDF)
Application Specification AS-502578-001-001 (PDF)	



Agency Certification

UL E29179

General

Product Family	PCB Receptacles
Series	<u>502585</u>
Application	Signal, Wire-to-Board
Overview	<u>CLIK-Mate Wire-to-Board Connectors</u>
Product Name	CLIK-Mate
UPC	800756644660

Physical

Circuits (Loaded)	10
Circuits (maximum)	10
Color - Resin	Beige
Durability (mating cycles max)	30
Flammability	SC-0
Glow-Wire Capable	No
Guide to Mating Part	Yes
Keying to Mating Part	Yes
Lock to Mating Part	Yes
Mated Height	6.40mm
Material - Metal	Copper Alloy
Material - Plating Mating	Tin
Net Weight	950.600/mg
Number of Rows	1
Orientation	Right Angle
PCB Locator	No
PCB Retention	Yes
Packaging Type	Embossed Tape on Reel
Pitch - Mating Interface	1.50mm
Polarized to Mating Part	Yes
Polarized to PCB	Yes
Stackable	No
Temperature Range - Operating	-40° to +105°C
Termination Interface: Style	Surface Mount

Electrical

Current - Maximum per Contact	2.0A
Voltage - Maximum	100V

Material Info

Reference - Drawing Numbers

Application Specification	AS-502578-001-001, AS-502578-002-001
Packaging Specification	SPK-502585-001-001

EU ELV

Not Relevant

EU RoHS

Compliant

REACH SVHC

Not Contained Per -
ED/61/2018 (27 June
2018)

Halogen-Free

Status

Not Low-Halogen

For more information, please visit [Contact US](#)

China ROHS

ELV

RoHS Phthalates

China RoHS

Green Image

Not Relevant

Not Contained

Search Parts in this Series

502585 Series

Mates With

502578 Crimp Housing

This document was generated on 09/20/2018

PLEASE CHECK WWW.MOLEX.COM FOR LATEST PART INFORMATION