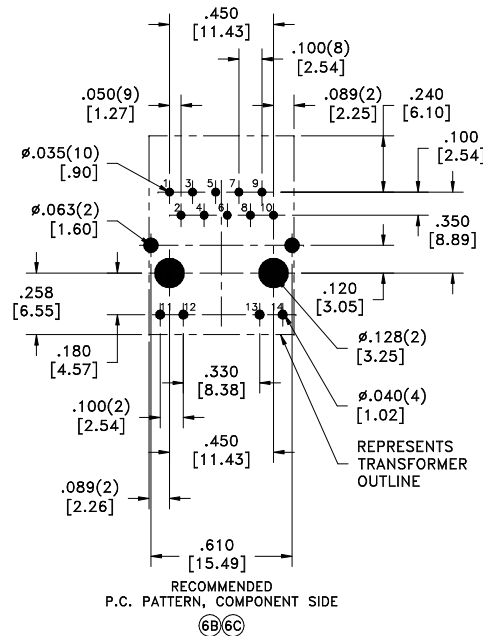
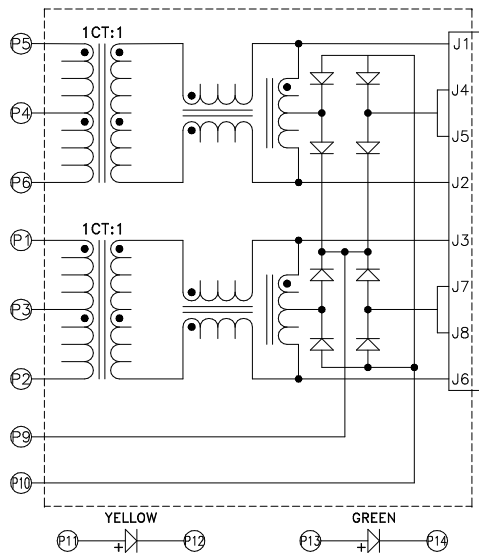
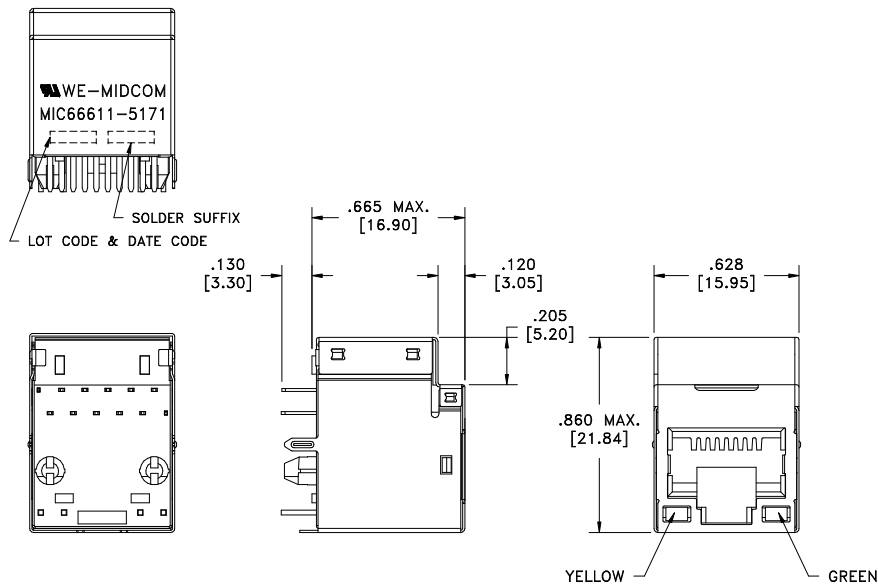


SOLDER SUFFIX	CUSTOMER TERMINAL	RoHS	LEAD(Pb)-FREE
LF3	Sn100%	Yes	Yes



ELECTRICAL SPECIFICATIONS @ 25°C unless otherwise noted:

- INDUCTANCE: 350uH min., 100kHz, 100mV, 8mADC, J1-J2; J3-J6, Lp.
- DIELECTRIC RATING: 1500Vrms for 1 minute between P1-J1(tie P2+P5, J2+J3).
- URNS RATIO/POLARITY: (P1-P2):(J3-J6) = 1:1, ±2%.
(P5-P6):(J1-J2) = 1:1, ±2%.
- INSERTION LOSS: -1.0dB max., 1MHz - 100MHz.
- RETURN LOSS: -18dB min., 1M - 30MHz.
-16dB min., 30M - 45MHz.
-14dB min., 45M - 60MHz.
-12dB min., 60M - 80MHz.
- CROSSTALK: -35dB min., 1MHz - 100MHz.
- COMMON MODE REJECTION: -35dB min., 1MHz - 100MHz.
- Ⓢ OPERATING TEMPERATURE RANGE: -40°C to +85°C. (UL Approved at 0°C to +70°C)
- Designed to handle 350mADC and meet 802.3af.



REV.	DATE
6C	11/09
6B	8/07
6A	6/07

AGENCY NUMBER	
UL60950-1	E205930

Packaging Specifications
Method: Tube
PKG-0583
www.midcom-inc.com

Tolerances unless otherwise specified:
Angles: ±1°
Decimals: ±.010 [.25]
Fractions: ±1/64
Footprint: ±.003 [.08]
This drawing is dual dimensioned. Dimensions in brackets are in millimeters.

DRAWING TITLE
TRANSFORMER
10/100Mbps & POE
eiSos p/n: 7499210123



DRAWING NO.
MIC66611-5171T-LF3

REVISIONS: SEE SHEET 1

SCALE ---

SHEET 2 OF 6