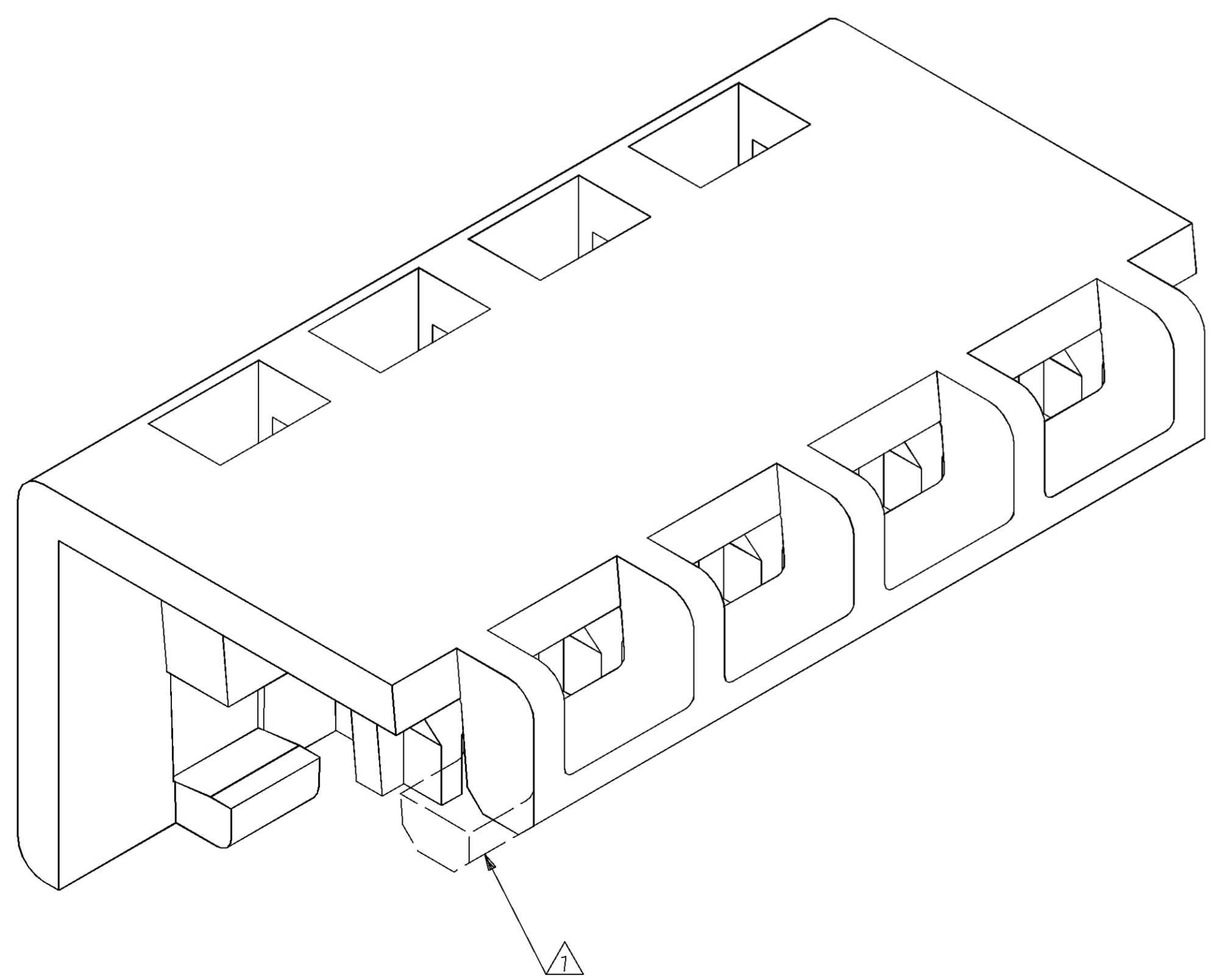
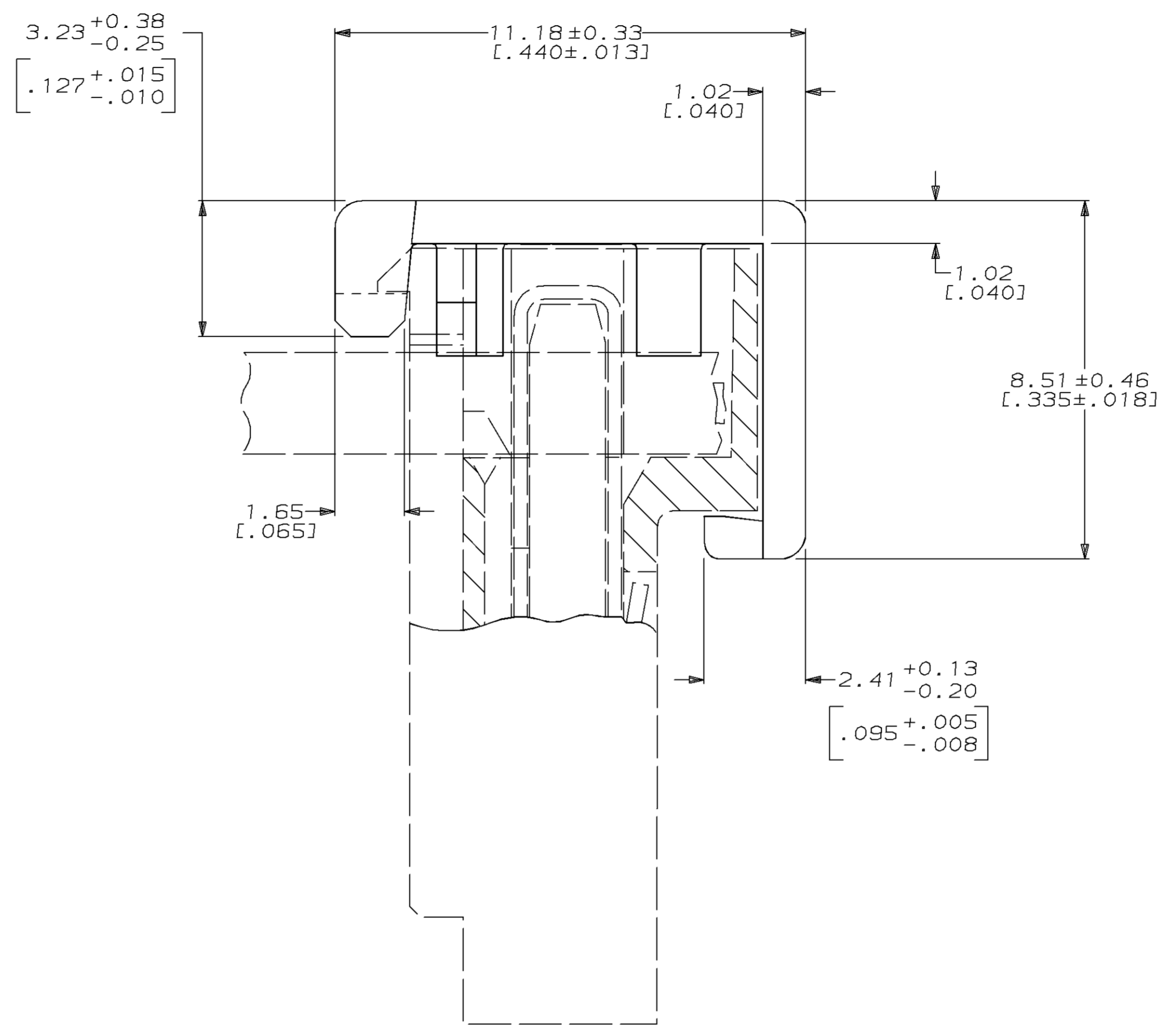
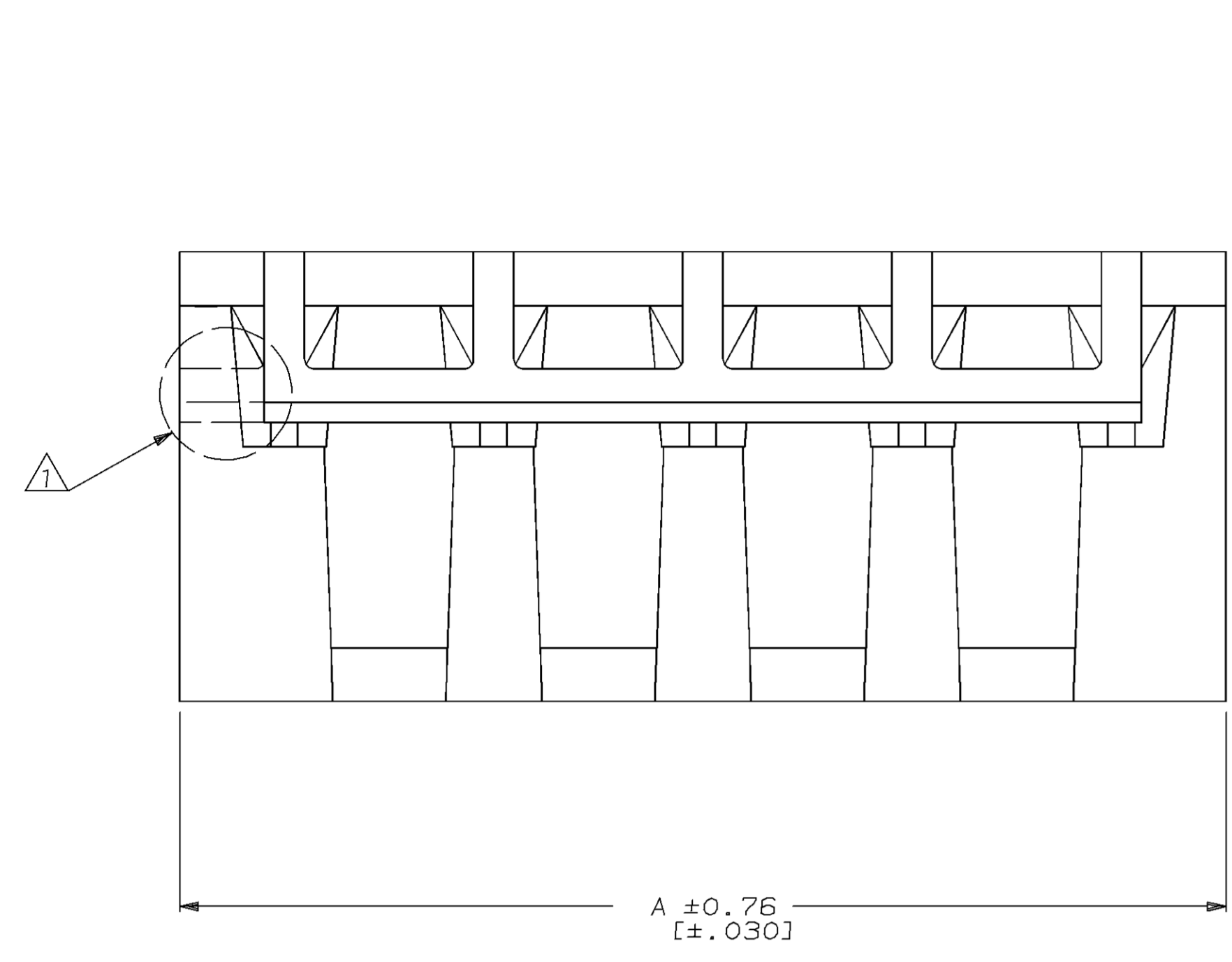


LOC		DIST		P		F		ZONE		LTR		REVISIONS			
CM	54											DESCRIPTION	DATE	APPD	
												G	REV PER EC 0730-0158-95	10-13-95	RV

1. PART MAY BE MOLDED TO DESIRED POSITION SIZE OR CUT TO DESIRED POSITION SIZE FROM A LARGER POSITION SIZE PART. WHEN PART IS CUT TO DESIRED POSITION SIZE, A PORTION OF FRONT LOCKING BAR WILL REMAIN ATTACHED.
2. DIMENSIONS IN BRACKETS ARE IN INCHES.
3. TWO POSITION (-2) PARTS WILL BE MOLDED ONLY.



24 CIRCUIT ASSEMBLIES	95.10	[3.744]	2-643067-4
23 CIRCUIT ASSEMBLIES	91.14	[3.588]	2-643067-3
22 CIRCUIT ASSEMBLIES	87.17	[3.432]	2-643067-2
21 CIRCUIT ASSEMBLIES	83.21	[3.276]	2-643067-1
20 CIRCUIT ASSEMBLIES	79.25	[3.120]	2-643067-0
19 CIRCUIT ASSEMBLIES	75.29	[2.964]	1-643067-9
18 CIRCUIT ASSEMBLIES	71.32	[2.808]	1-643067-8
17 CIRCUIT ASSEMBLIES	67.36	[2.652]	1-643067-7
16 CIRCUIT ASSEMBLIES	63.40	[2.496]	1-643067-6
15 CIRCUIT ASSEMBLIES	59.44	[2.340]	1-643067-5
14 CIRCUIT ASSEMBLIES	55.47	[2.184]	1-643067-4
13 CIRCUIT ASSEMBLIES	51.51	[2.028]	1-643067-3
12 CIRCUIT ASSEMBLIES	47.55	[1.872]	1-643067-2
11 CIRCUIT ASSEMBLIES	43.59	[1.716]	1-643067-1
10 CIRCUIT ASSEMBLIES	39.62	[1.560]	1-643067-0
9 CIRCUIT ASSEMBLIES	35.66	[1.404]	643067-9
8 CIRCUIT ASSEMBLIES	31.70	[1.248]	643067-8
7 CIRCUIT ASSEMBLIES	27.74	[1.092]	643067-7
6 CIRCUIT ASSEMBLIES	23.77	[.936]	643067-6
5 CIRCUIT ASSEMBLIES	19.81	[.780]	643067-5
4 CIRCUIT ASSEMBLIES	15.85	[.624]	643067-4
3 CIRCUIT ASSEMBLIES	11.89	[.468]	643067-3
2 CIRCUIT ASSEMBLIES	7.92	[.312]	643067-2
USE ON MTA 156 ASSEMBLIES AS LISTED			PART NO

DO NOT SCALE PRINT. UNLESS SPECIFIED DIMENSIONS IN mm [INCHES] TOLERANCES ON:	DR 5-21-91 T. BECK
1 DIMENSIONS ±	CHK 5-21-91 R. SWING
2 PLC DEC ±	APPD 5-22-91 G. MILLER
3 PLC DEC ± 0.13 [.005]	APPD 5-22-91 G. MILLER
ANGLES ±	PRODUCT SPEC
MATERIAL	APPLICATION SPEC
NYLON, UL 94V-2 WHITE	FINISH
	WEIGHT

AMP AMP Incorporated Harrisburg, PA 17105-3608		
NAME COVER, MOLDED, .095 MAX O.D. WIRE, MTA-156		
SIZE D	CAGE CODE 00779	DRAWING NO 643067
SCALE 10:1	SHEET 1 OF 1	

