



Main

Range of product	OsiSense XU
Series name	Application
Electronic sensor type	Photo-electric sensor
Sensor name	XUY
Sensor design	Miniature
Detection system	Diffuse with background suppression
Material	Plastic
Type of output signal	Discrete
Supply circuit type	DC
Wiring technique	4-wire
Discrete output type	PNP
Discrete output function	1 NO or 1 NC programmable
Electrical connection	Cable
Cable length	2 m
Product specific application	Conveyor system and access control series
Emission	Red LED, pulsed
[Sn] nominal sensing distance	1 M polarised reflex 4 M thru beam 0.08 M diffuse with background suppression 0.25 m diffuse with adjustable sensitivity



Complementary

Enclosure material	ABS
Lens material	PMMA
Cover material	PVC
Pulse frequency	6 kHz
Output type	Solid state
[Us] rated supply voltage	12...24 V DC with reverse polarity protection
Supply voltage limits	10...30 V DC
Switching capacity in mA	100 mA (overload and short-circuit protection)
Switching frequency	500 Hz
Maximum voltage drop	<2 V at 100 mA (closed state) <1 V at 10 mA (closed state)
Current consumption	< 25 mA no-load
Maximum delay response	1 ms
Net weight	0.075 kg

Environment

Product certifications	CULus CE
Ambient air temperature for operation	0...50 °C
Ambient air temperature for storage	-20...80 °C
Immunity to ambient light	10000 Lux natural light 5000 lux incandescent bulb
IP degree of protection	IP65 conforming to IEC 60529 IP67 conforming to IEC 60529

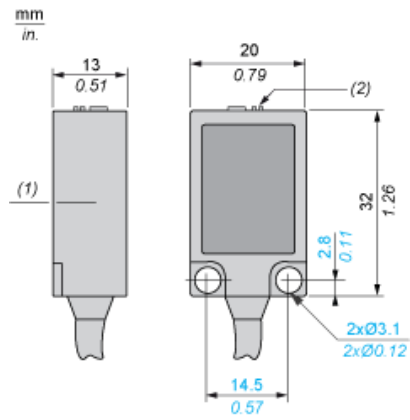
Offer Sustainability

EU RoHS Directive	Pro-active compliance (Product out of EU RoHS legal scope)  EU RoHS Declaration
Mercury free	Yes
RoHS exemption information	 Yes

Contractual warranty

Warranty	18 months
----------	-----------

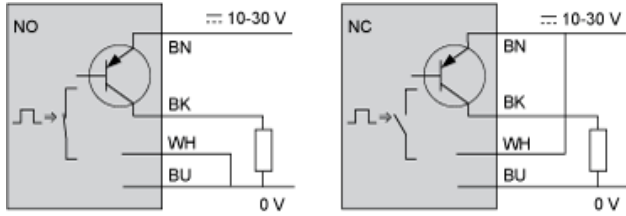
Dimensions



- (1) Optical axis
- (2) Accuracy adjustment

Connections and Schemes

PNP Output



BN : Brown
BU : Blue
BK : Black
WH : White