

THIS IS A C.A.D. GENERATED DRAWING
DO NOT MAKE MANUAL REVISIONS TO MASTER.



ISSUE NUMBER

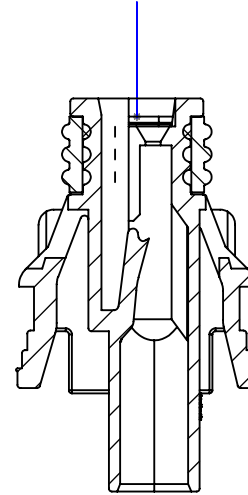
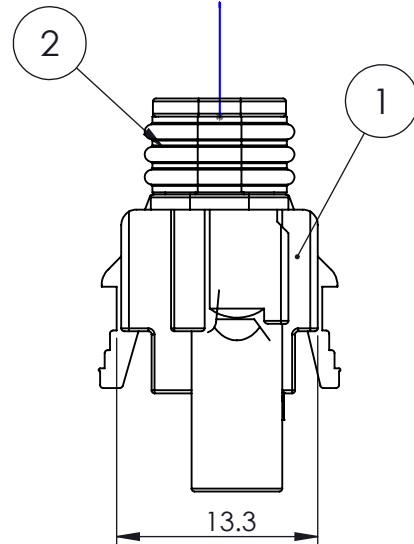
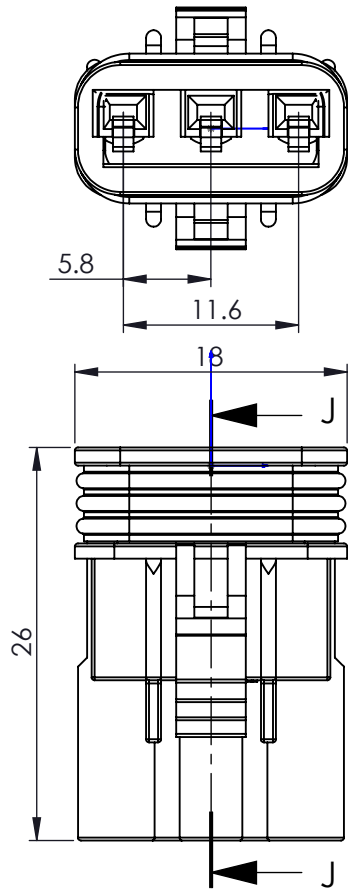
ORIGINAL ①

MATERIALS:

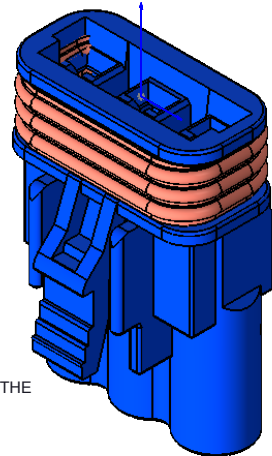
HOUSING: PBT, UL94V-0, BLUE COLOR
WIRE-HOUSING SEAL: SILICON RUBBER

SPECIFICATIONS

1. PITCH: 5.8MM
2. RATED VOLTAGE: 300V
3. RATED CURRENT: 10A MAX
4. WITHSTAND VOLTAGE: AC 1700V R.M.S.
5. CONTACT RESISTANCE: 10 mOHMS MAX
6. INSULATION RESISTANCE: 1000 MOHMS MIN/DC 500V
7. TEMPERATURE RANGE: -40°C ~ +105°C
8. WATERPROOF GRADE: TESTED AND CERTIFIED TO IP67



SECTION J-J



ITEM NO.	DESCRIPTION	QTY.
1	572-003-000-FEMALE-HOUSING	1
2	570-003-000-HOUSING-SEAL	1

Waterproof Connector, Insulator, Female,
Blue, 3Pin
572-003-000-400

ACAD REFERENCE NO. 572-003-000-400

DRAWN: R.STA.MONICA DATE: NOV.16/15

CHECKED: DATE:

SCALE: NOT TO SCALE SHEET 1 OF 1

DRAWING NUMBER 572-003-000-400 ISSUE 1



EDAC INC
TORONTO, ONTARIO
CANADA
YOUR CONNECTION TO QUALITY & SERVICE

THESE DRAWINGS AND SPECIFICATIONS ARE THE PROPERTY OF EDAC INC. AND SHALL NOT BE REPRODUCED, OR COPIED OR USED AS THE BASIS FOR THE MANUFACTURE OR SALE OF APPARATUS WITHOUT WRITTEN PERMISSION.



THIS SERIES FULLY CONFORMS TO THE EUROPEAN UNION DIRECTIVES 2011/65/EU FOR RoHS COMPLIANCY