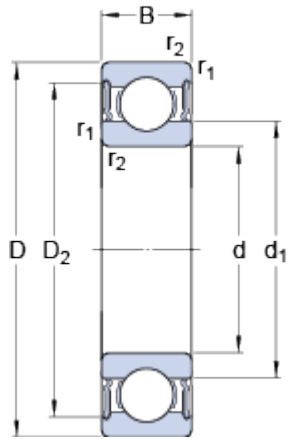


6211-2RS1

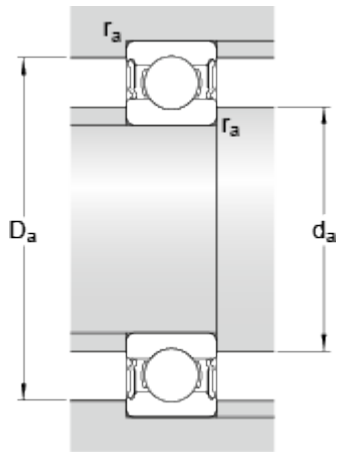
SKF Explorer

Dimensions



d		55	mm
D		100	mm
B		21	mm
d_1	≈	69.06	mm
D_2	≈	89.4	mm
$r_{1,2}$	min.	1.5	mm

Abutment dimensions



d_a	min.	64	mm
d_a	max.	69	mm
D_a	max.	91	mm
r_a	max.	1.5	mm

Calculation data

Basic dynamic load rating	C	46.2	kN
Basic static load rating	C_0	29	kN
Fatigue load limit	P_u	1.2	kN
Limiting speed		4300	r/min
Calculation factor	k_r	0.025	
Calculation factor	f_0	14.3	

Mass

Mass bearing		0.637	kg
--------------	--	-------	----