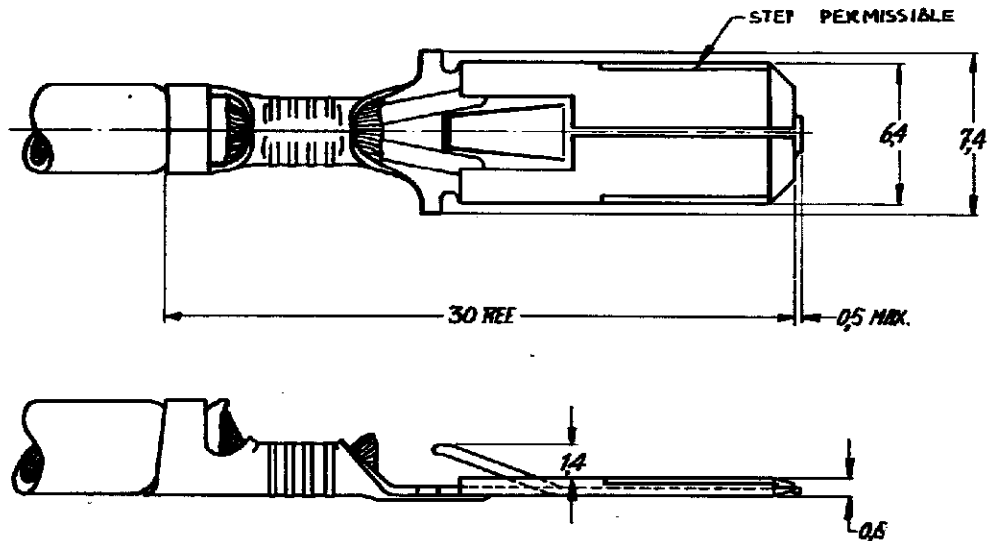


NUMBER C-160450-E

DRAWING MADE IN AMERICAN PROJECTION

REVISIONS

P	LTR	DESCRIPTION MODIFICATIONS	DATE	DWN	APVD
C1		REVISED PER ECO-10-000445	18JAN10	KK	HMR



- 1 FOR USE ON STANDARD APPLICATORS (RIGHT-LEFT FEED)
- 2 FOR USE ON MINIATURE APPLICATORS (LEFT-RIGHT FEED ; AMP-O-MATOR APPLICATORS)
- 3 OBSOLETE PARTS: OBSOLETE CIS STREAMLINING PER D.RENAUD/D.SINISI

DIMENSIONS IN IN. DO NOT SCALE PRINT

160450-6	PHOSPHOR BR	TIN-LEAD	H2
160450-5	BRASS	SILVER	1
160450-4	BRASS	NONE	1
160450-3	PHOSPHOR BR.	SILVER	1
160450-2	PHOSPHOR BR.	TIN	H2
160450-1	PHOSPHOR BR.	—	1

CUSTOMER COPY FOR REFERENCE ONLY

©1968 BY AMP-HOLLAND N.V. ALL RIGHTS RESERVED A-MP PRODUCTS COVERED BY PATENTS AND/OR PATENTS PENDING.



WIRE RANGE	INSUL. RANGE	FIRST USED	NO C-160450-E	REV C1
08-25 mm ²	3-4 mm			
SCALE	LOC	SIZE		
4:1	H	A		
NAME 250 SERIES FASTIN-FASTON TAB				

ORDER NO.	MATERIAL	PLATING	WIRE
DR. 123-2-68			
DATE	DE	DATE	DATE
12-68	Pross	2/12/69	12-68
CHK	DATE	APP	DATE