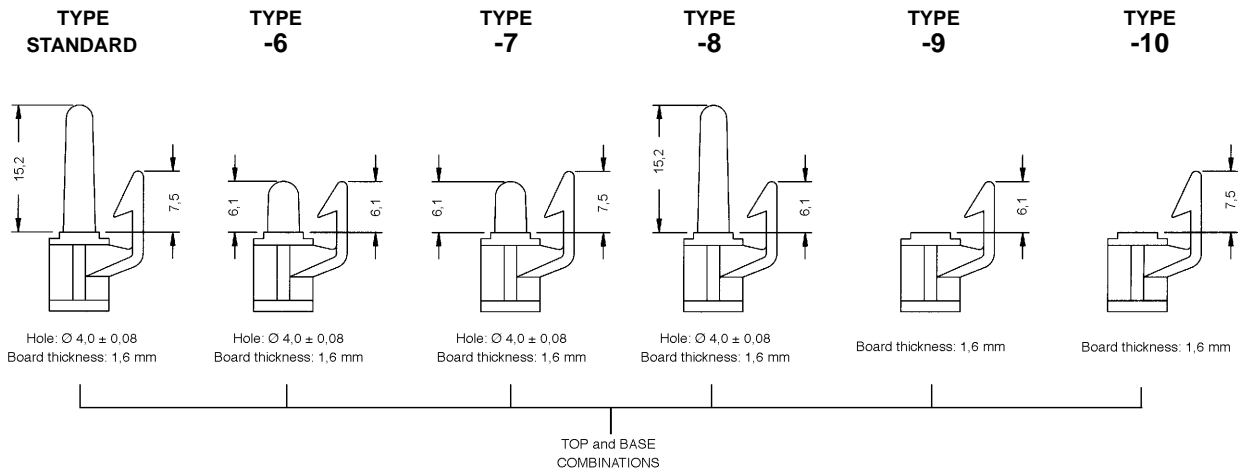


**EHCBS/TEHCBS  
MSEHCBS/BHEHCBS**

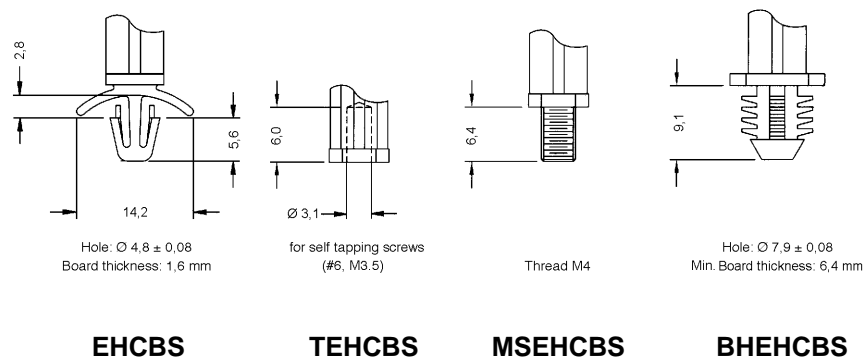
EDGE HOLDING CIRCUIT BOARD SUPPORTS

Part No.				"A" mm
EHCBS-XX-5-01	TEHCBS-XX-5-01	MSEHCBS-XX-5-01	BHEHCBS-XX-5-01	7.9
EHCBS-XX-6-01	TEHCBS-XX-6-01	MSEHCBS-XX-6-01	BHEHCBS-XX-6-01	9.5
EHCBS-XX-8-01	TEHCBS-XX-8-01	MSEHCBS-XX-8-01	BHEHCBS-XX-8-01	12.7
EHCBS-XX-10-01	TEHCBS-XX-10-01	MSEHCBS-XX-10-01	BHEHCBS-XX-10-01	15.9
EHCBS-XX-12-01	TEHCBS-XX-12-01	MSEHCBS-XX-12-01	BHEHCBS-XX-12-01	19.0
EHCBS-XX-14-01	TEHCBS-XX-14-01	MSEHCBS-XX-14-01	BHEHCBS-XX-14-01	22.2
EHCBS-XX-16-01	TEHCBS-XX-16-01	MSEHCBS-XX-16-01	BHEHCBS-XX-16-01	25.4

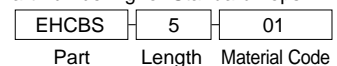
**TOPS:**



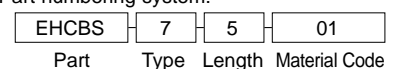
**BASES:**



Part numbering for Standard-Tops:



Part numbering system:



Material: Nylon 6/6 - natural; UL 94 V-2, RMS-01  
or  
Nylon 6/6 - natural; UL 94 V-0, RMS-19  
Std. Pk.: 1.000 pcs.