

Transducer LKM 213, Pt100, rail assembly, 4..20mA

Functional Description

The LKM 213 device is an analogue transducer for Pt 100-temperature sensors according to DIN EN 60751. The temperature-sensitive resistance is transformed into an analogue current output of 4..20mA. The transducer LKM 213 can be mounted on customary rail systems. The LKM 213 has been tuned ex works according to customer requirements. Further fine-tuning can be arranged by span and zero controller.

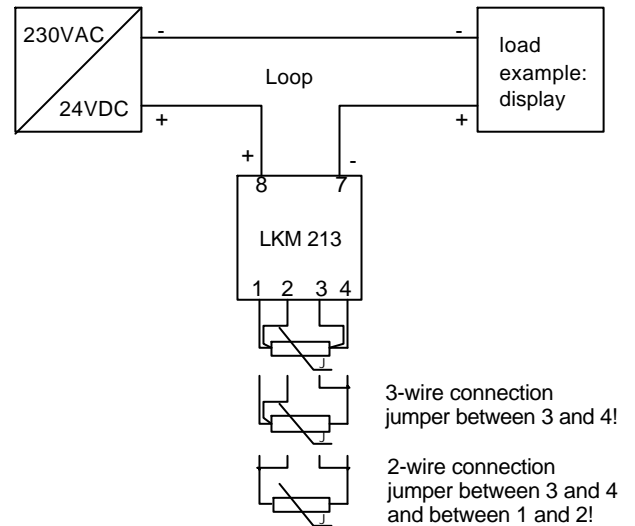


Technical Data

Input:	Pt100, DIN EN 60751 2/3/4- wire circuit
Measuring current Pt 100:	max. 1mA
Zero:	-200°C...830°C
Span:	minimum 20 °C
Output:	4...20mA
Loop voltage:	10...36VDC
Mounting:	polarity - safe 35mm DIN rail acc. to EN 50022
Housing:	polycarbonate
Dimensions:	75x25x53mm(HxWxD)
Weight:	approx. 60g
Reaction time:	< 0.1s
Vibration:	± 5g/10-200Hz
Type of terminals:	screw terminals
Clamping range:	0.2...2.5mm ²
Protection class:	IP 20
Linearity error:	< 0.1%FS
Adjustment error:	± 0.1°C
Probe break:	> 20mA
Short circuit:	< 4mA
Operating temp. range:	- 40°C... 85°C
Storage temp. range:	- 40°C...120°C
Humidity:	< 95% rel. humidity
Warranty:	2 years

EMC
 Emission and Noise immunity: EN 61326-1:2006
 EN 61326-2-3:2006

Schematic Diagram



Load resistance

