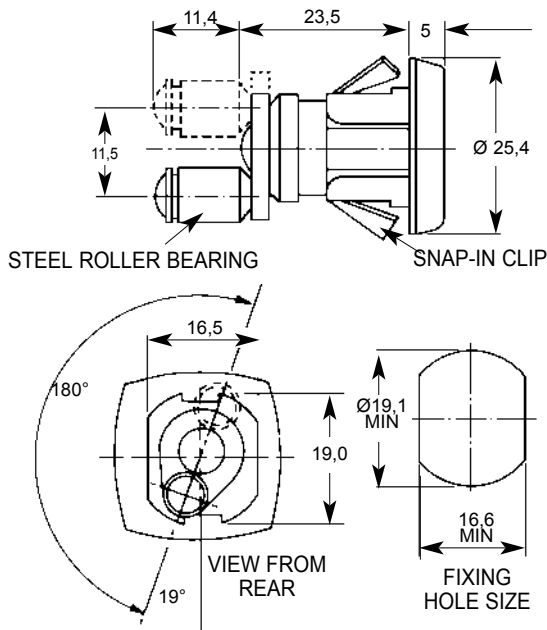


Multi-Drawer Lock

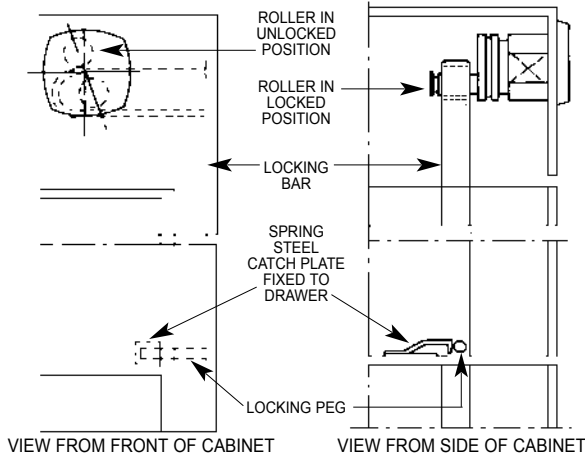
The Lowe & Fletcher multi-drawer lock can be fitted in a few seconds and is used in conjunction with a simple locking bar (not supplied) which is fitted with pegs. By turning the key 180 degrees the roller cam on the back of the lock moves the bar downward and the pegs engage in the spring steel catch plate fitted on the side of the drawer and thus prevent the drawer from being pulled out. In the open position the roller cam moves past top dead centre which prevents the bar from dropping and accidentally locking the cabinet.



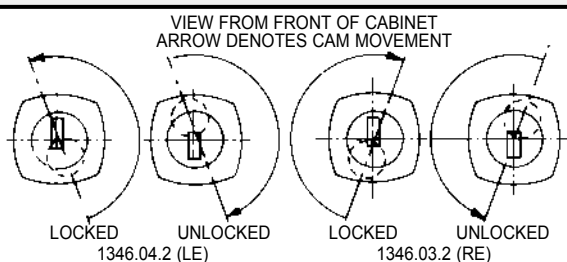
1346.04.2 GENERAL CONSTRUCTION OF LOCK



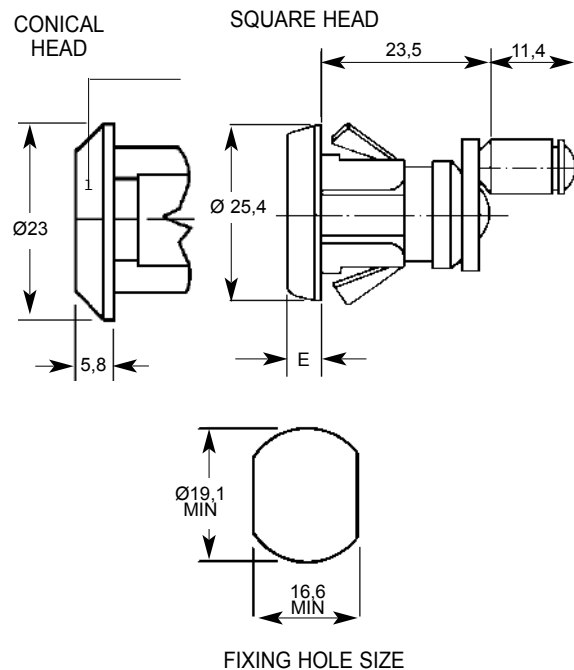
FITTING AND OPERATING INSTRUCTIONS



LOCKING MOVEMENTS



1346



PRODUCT REFERENCE NUMBERS

KEY SERIES	COMBINATIONS	LOCK	CAM TRAVEL	"E"
92 M	200	1346	19.0mm	5.0mm
9000 M	500	F335	11.5mm	4.5mm
9000 M	500	F390 (F535)	15.0mm	4.5mm

M = MASTER KEY SYSTEM: SUPPLIED TO ORDER ONLY

STANDARD MOVEMENTS: 3, 4

STANDARD FINISH: BRIGHT CHROME

OTHER CAM TRAVEL, CAM AND/OR PANEL THICKNESS SUPPLIED TO ORDER ONLY

REF NOs IN () REFER TO LOCKS WITH A CONICAL HEAD

LOWE & FLETCHER LTD

MOORCROFT DRIVE, WEDNESBURY, WEST MIDLANDS, ENGLAND WS10 7DE.

TELEPHONE: 0121 505 0400. FAX: 0121 505 0420. E-MAIL: sales@lowe-and-fletcher.co.uk WEB SITE: www.lowe-and-fletcher.co.uk