



Brand of NTN corporation

Technical data

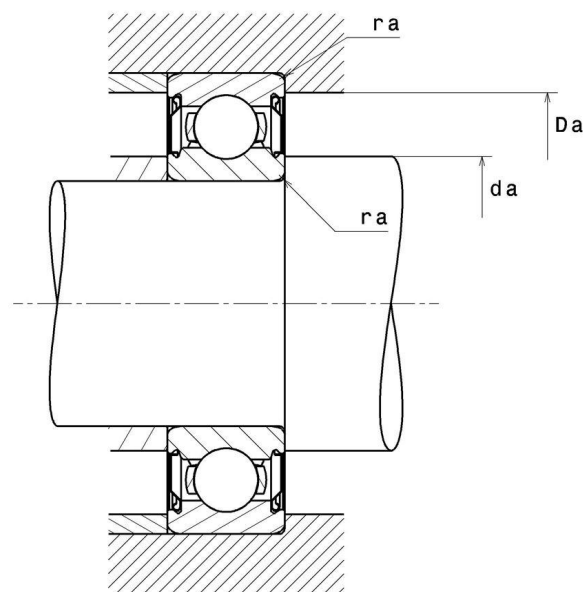
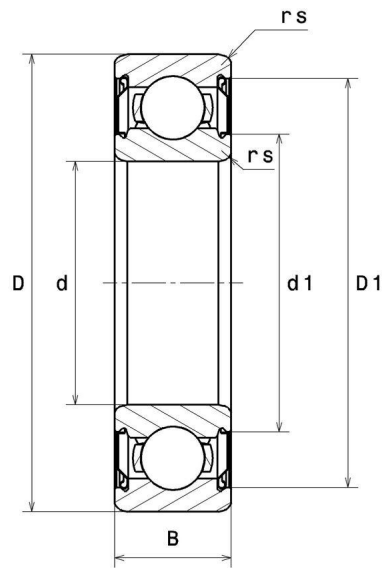
6309.ZZC3

Single row deep groove ball bearings



Deep groove ball bearing, radial contact, pressed steel cage, shields on both sides

VISUAL (S)



NTN Europe

1 rue des Usines · BP 2017 · 74010 Annecy Cedex · France · Tel. +33 (0)4 50 65 30 00
S.A. au capital de 322 639 919 € · RCS ANNECY B 325 821 072 · Id. Fiscale : FR 48 325 821 072
SIRET 325 821 072 00015 · Code APE 2815 Z · Code NACE 28.15

6309.ZZC3

Single row deep groove ball bearings

PRODUCT DEFINITION

Brand	SNR
d - Internal diameter	45 mm
D - External diameter	100 mm
B - Bearing/Inner ring width	25 mm
d1 - External diameter inner ring	60,7 mm
D1 - Inner diameter outer ring	87,3 mm
rs - Min fillet radius	1,5 mm
Radial clearance class	C3
Mass	0,801 kg

PRODUCT PERFORMANCE

C - Dynamic load	55700000 mN
C0 - Static load	31900000 mN
Cu - Fatigue limit load	1450000 mN
f0 - Coefficient	13.1
N ref - Reference thermal speed	49800 °/s
N lim - Mechanical Limit Speed	54600 °/s
Tmin - Min operating temperature	243,15 °K
Tmax - Max operating temperature	393,15 °K

BEARING FREQUENCIES

BPFO - Over rolling frequency on outer ring (60 rpm)	3.05 Hz
BPFI - Over rolling frequency on inner (60 rpm)	4.95 Hz
BSF - Over rolling frequency on rolling element (60 rpm)	3.971 Hz
BRF - Rotational frequency - rolling element (60 rpm)	1.986 Hz



NTN Europe

1 rue des Usines · BP 2017 · 74010 Annecy Cedex · France · Tel. +33 (0)4 50 65 30 00
S.A. au capital de 322 639 919 € · RCS ANNECY B 325 821 072 · Id. Fiscale : FR 48 325 821 072
SIRET 325 821 072 00015 · Code APE 2815 Z · Code NACE 28.15

6309.ZZC3

Single row deep groove ball bearings

BEARING FREQUENCIES

FTF - Rotational frequency - cage (60 rpm)	0.381 Hz
--	----------

ABUTMENT

da min - Min shoulder diameter IR	53 mm
da max - Max shoulder diameter IR	60,7 mm
Da max - Max shoulder diameter OR	92 mm
ra max - Max shaft & housing fillet radius	1,5 mm

INDUSTRY CALCUL FACTORS

Equivalent dynamic radial load

$$P = X \cdot Fr + Y \cdot Fa$$

$\frac{f_0 F_a}{C_0}$	e	Fa / Fr ≤ e		Fa / Fr > e	
		X	Y	X	Y
0.172	0.19	1	0	0.56	2.3
0.345	0.22				1.99
0.689	0.26				1.71
1.03	0.28				1.55
1.38	0.3				1.45
2.07	0.34				1.31
3.45	0.38				1.15
5.17	0.42				1.04
6.89	0.44				1

Equivalent static radial load

$$P_0 = X_0 \cdot Fr + Y_0 \cdot Fa$$

X_0	Y_0
0.6	0.5

For single or DT bearing arrangement :

If $P_0 < Fr$, then use $P_0 = Fr$



NTN Europe

1 rue des Usines · BP 2017 · 74010 Annecy Cedex · France · Tel. +33 (0)4 50 65 30 00
 S.A. au capital de 322 639 919 € · RCS ANNECY B 325 821 072 · Id. Fiscale : FR 48 325 821 072
 SIRET 325 821 072 00015 · Code APE 2815 Z · Code NACE 28.15