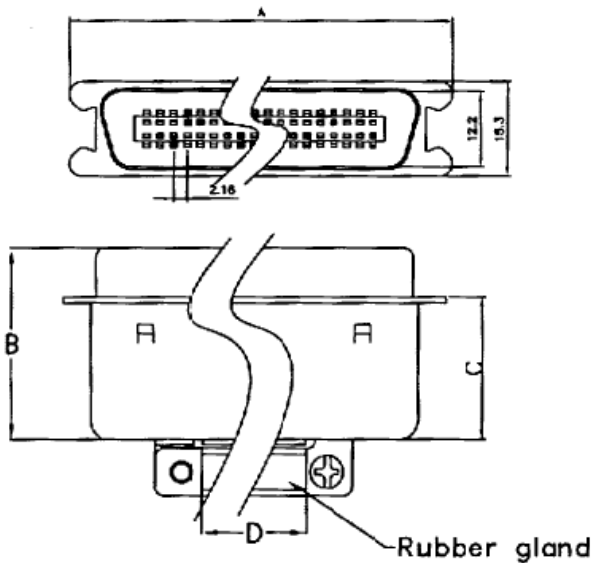


Datasheet

IEEE 488 36 Way Cable Mount Plug

RS Stock number [239-1213](#)



POSITION	A	B	C	D
14F	37.8	41.0	21.4	7.6
24F	48.6	41.4	21.0	11.3
36F	61.6	42.4	23.0	16.8
50F	76.7	45.0	25.4	19

Specifications:

- Insulator: PBT UL94V-0
- Shell: Steel, nickel over copper plated
- Contacts: Brass alloy gold plated on contact tin plated on terminal
- Hood: Steel
- Rating current: 1A
- Contact resistance: <25m Ohm
- Insulation resistance: >1000m ohm at 500V
- Operating temp: -55°C to +105°C