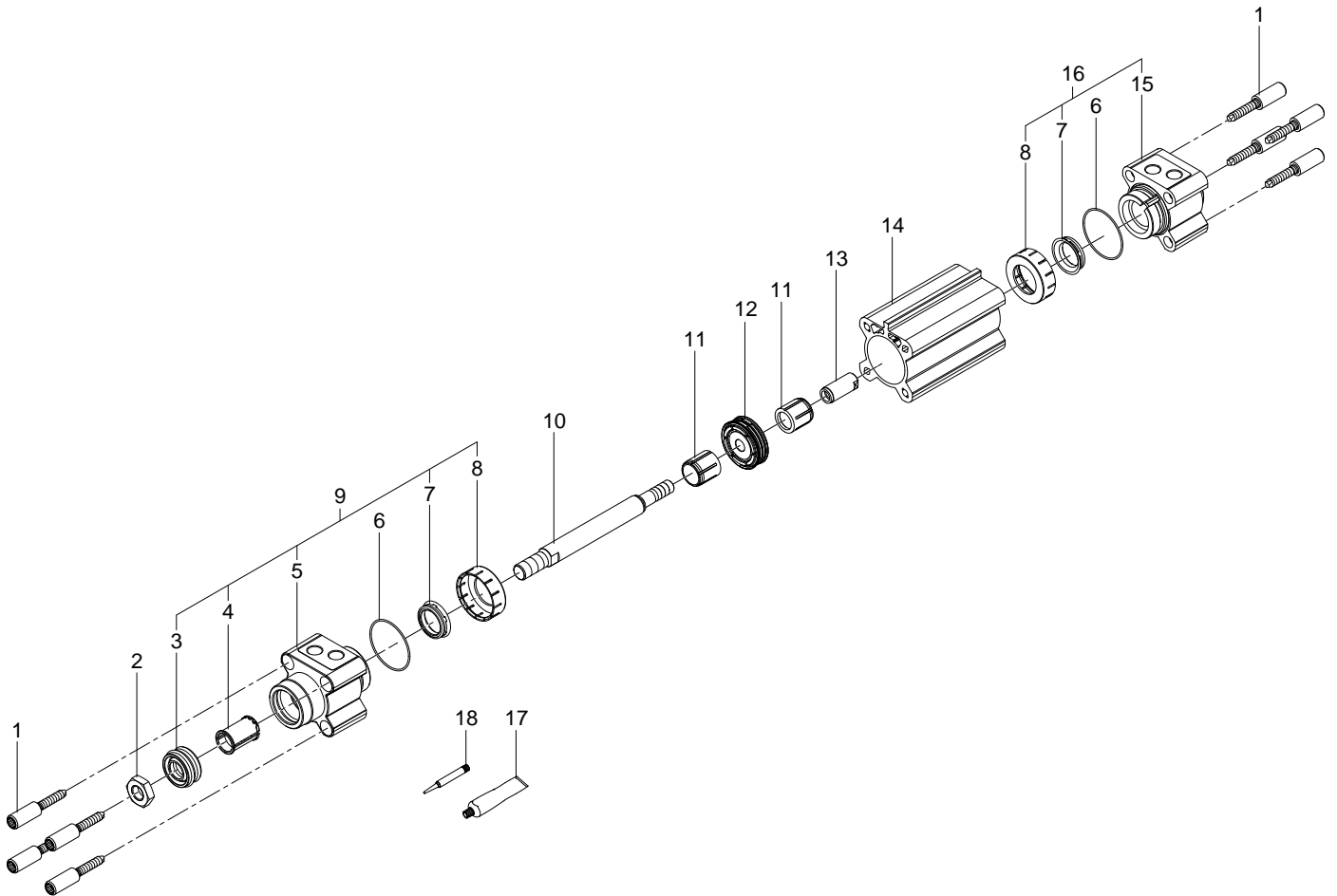


1779434 DSBF-C-40-80-PPSA-N3-R standards-based cylinder - Series from 07-2014



## 1779434 DSBF-C-40-80-PPSA-N3-R standards-based cylinder - Series from 07-2014

Pos.	Part no.	Type	Note	Qty.	Unit
A	752721	DSBF-C-40- - Set of wearing parts	Spare parts: 3, 6, 7, 8, 12, 17, 18 <a href="#">▶ Replacing the wearing parts</a>	1	PC
1	371668	DNC-32/40-R3 flange screw	Tightening torque 7 Nm / 5.2 lbf ft Use locking compound. See position 18	8	PC
2	213599	DIN 439-B-M12X1,25-A2-70 Hex nut		1	PC
3	645265	WIFC2-16X26X10,7-TPE-U:Q Wiper seal	Grease using during assembly. See position 17	1	PC
4	1113784	DSBX-40 Bearing		1	PC
5		DSBF-40-PPS:COATED Bearing cap	Not available separately, see position 9	1	PC
6		B-40X1,2-N-NBR75 O-ring ISO3601	Not available separately, see position A Grease using during assembly. See position 17	2	PC
7		DIFC1-20X28X7,8-TPE-U Buffer seal	Not available separately, see position 9+16+999 Grease using during assembly. See position 17	2	PC
8		DSBX-40 Holding disc	Not available separately, see position 9+16+999	2	PC
9	2233635	DSBF-40-P/PPS Bearing cap module		1	PC
10	752714	DSBF-C-40- - Piston rod	When ordering please specify the configuration (see type plate)	1	PC
11	715792	40-PPS Buffer sleeve		2	PC
12		BA-K10D-040-A Complete piston	Not available separately, see position A	1	PC
13	709362	M10X1.25-D40 Threaded coupling	Use locking compound. See position 18 Tightening torque 20 Nm / 14.8 lbf ft	1	PC
14		DSBF-40-X Cylinder barrel	Not available Grease using during assembly. See position 17	1	PC
15		DSBF-40-PPS:COATED End cap	Not available separately, see position 16	1	PC
16	2236452	DSBF-40-P/PPS End cap module		1	PC
17	394819	LUB-E1-SILIKONFREI-20ML Lubricating grease		1	PC
18	8181256	CYBERBOND TM44 TB1ML Adhesive bonding agent		1	PC