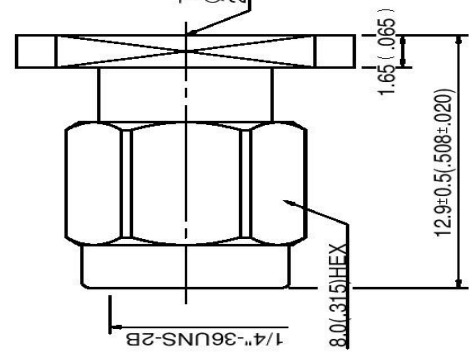
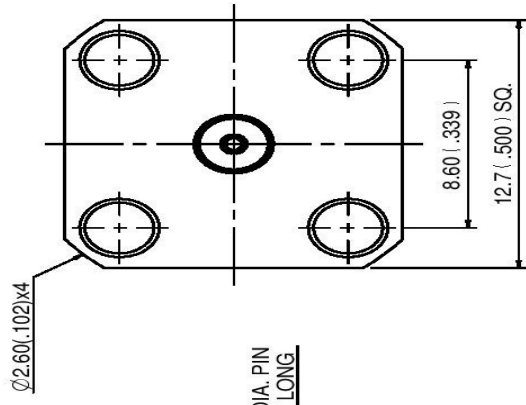
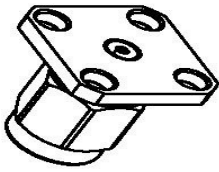


Datasheet

Stock No:1706955

**RS Pro**

**SMA 27G SQUARE FLANGE MOUNT FIELD PLUG RECEPTACLE**



**1.0 ELECTRICAL**

- 1.1 FREQUENCY RANGE: DC-26.5 GHz
- 1.2 NOMINAL IMPEDANCE: 50 OHMS
- 1.3 VOLTAGE RATING: 300 VOLTS MAX.
- 1.4 VSWR: 1:17 MAX. @ 18 GHz
- 1.21 MAX. @ 26.5 GHz

**2.0 MATERIALS**

- 2.1 BODIES: STAINLESS STEEL PER JIS SUS 303
- 2.2 CENTER CONTACT: BERYLLIUM COPPER PER ASTM B96 UNS C1730
- 2.3 INSULATION: TEFLON PER ASTM D1457 AND ASTM D1710

**3.0 FINISHES AND OTHERS**

- 4.1 INTERFACES IN ACCORDANCE WITH MIL-STD-348A
- 4.2 RECOMMENDED COUPLING TORQUE: 7 TO 10 in-lbs

**5.0 ENVIRONMENTAL**

- 5.1 OPERATING TEMPERATURE RANGE: -65 C TO +165 C

APPROVED by DATE: \_\_\_\_\_

DESCRIPTION	SMA 27G SQUARE FLANGE MOUNT FIELD PLUG RECEPTACLE				
DRAWN	TOLERANCE	品名	4052010860002	DATE	REV.
Jackie	.X ±0.2	TITLE	ROHS COMPLIANT (50Ω)	12.27.17	A-0
CHECK	.XX ±0.1	單位	DWG. NO. 52-0021-Z		
Arc	.XXX ±0.05	mm(in)			
APPROVAL	ANGLE ±5°	比			
Jenny		例	4:1		

NO	DESCRIPTION	MATERIAL	QTY	FINISH
6	BODY	STAINLESS STEEL	1	GOLD 3 μ" MIN.
5	INSULATION	TEFLON	1	NONE
4	CENTER CONTACT	BERYLLIUM COPPER	1	GOLD 50 μ" MIN.
3	WASHER	STAINLESS STEEL	1	NONE
2	SHELL	STAINLESS STEEL	1	GOLD 3 μ" MIN.
1	GASKET	SILICONE	1	RED