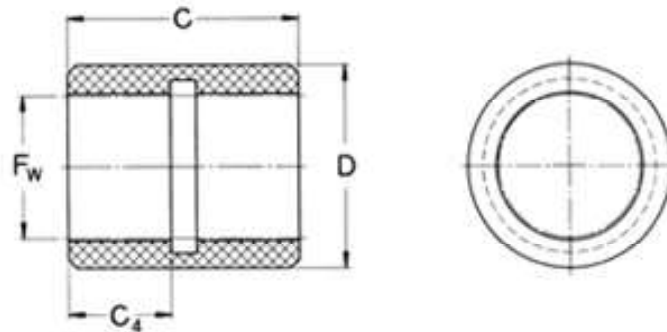


Hoja de información del producto

LPBR 12

Casquillo lineal



C [mm]:	28
C4 [mm]:	10
D = Da [mm]:	19.19
Fw [mm]:	12
Cdyn 0,1:	965
Cdyn 4 [N]:	24

Fecha: 22/05/2020

The contents of this report are the copyright of the publisher and may not be reproduced (even extracts) unless permission is granted. Every care has been taken to ensure the accuracy of the information contained in this report but no liability can be accepted for any loss or damage whether direct, indirect or consequential arising out of the use of the information contained herein.

Hoja de información del producto

LPBR 12
Casquillo lineal

CO:	3350
Peso [kg]:	0.006

Fecha: 22/05/2020

The contents of this report are the copyright of the publisher and may not be reproduced (even extracts) unless permission is granted. Every care has been taken to ensure the accuracy of the information contained in this report but no liability can be accepted for any loss or damage whether direct, indirect or consequential arising out of the use of the information contained herein.