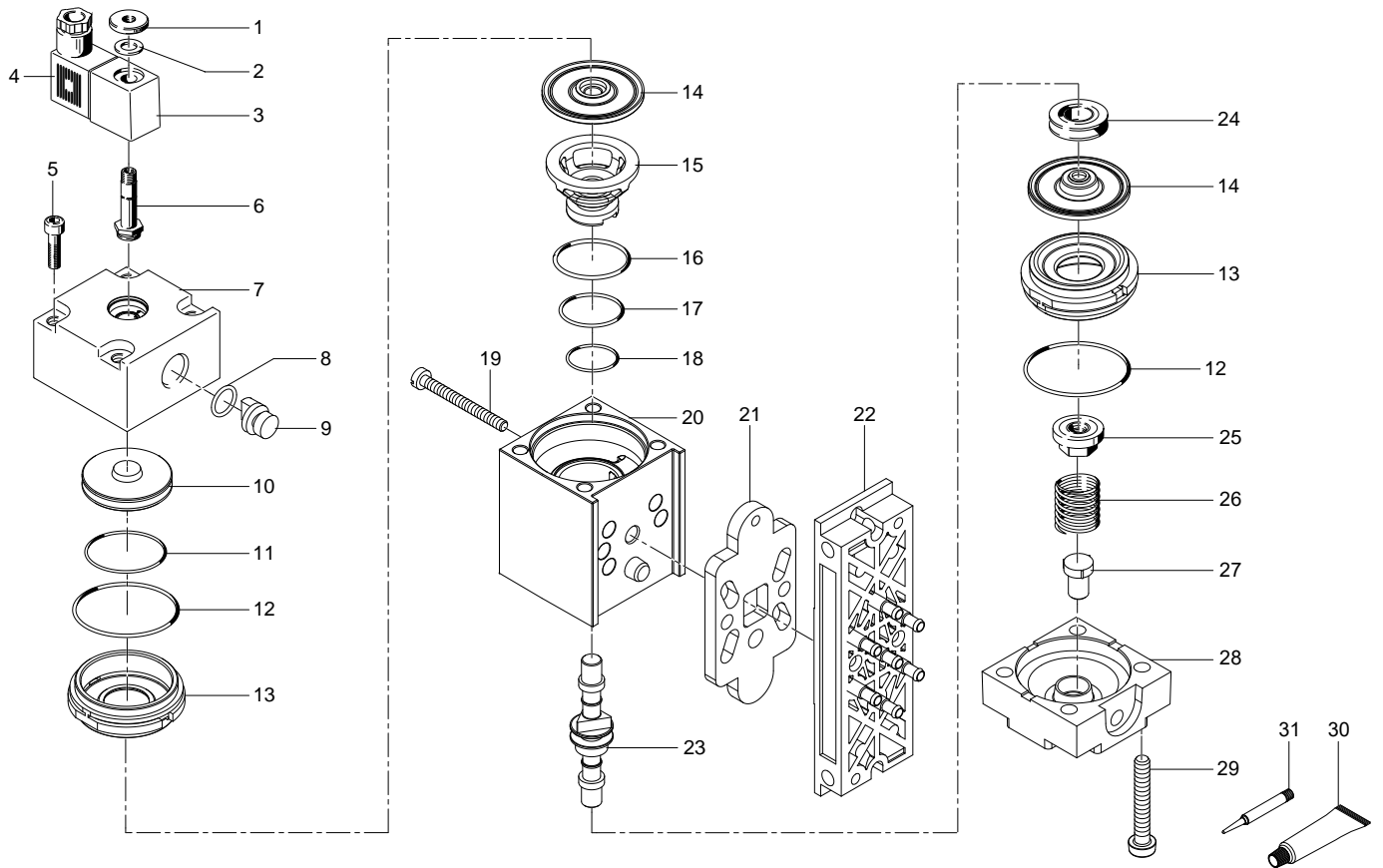


4448 MFH-5-PK-3 Solenoid valve - Series: All



4448 MFH-5-PK-3 Solenoid valve - Series: All

Pos.	Part no.	Type	Note	Qty.	Unit
A	104913	MFH-5-3,3 Set of wearing parts	Spare parts: 8, 11, 12, 13, 14, 16, 17, 18, 21, 24, 30 Attention, please order position 31 as well	1	PC
1	209407	M 8X0,75 FUER D03 Knurled nut		1	PC
2	200589	A 8 DIN 137 Spring washer		1	PC
3	13264	MSFG-24/42-50/60-DS Solenoid coil	Please order this position from the catalogue as an accessory.	1	PC
4	201073	MSSD-C Socket		1	PC
5		TP2-F-T-M3X20-10.9 self-tapping screw	Not available Tightening torque 1 Nm / 0.7 lbf ft	4	PC
6	101006	KPL.M.ANKER O.SPULE Armature tube		1	PC
7		MFH-5-3,3 Housing	Not available	1	PC
8		B-3,5X0,9-N-NBR70 O-ring ISO3601	Not available separately, see position A Grease using during assembly. See position 30	1	PC
9	207782	MFH-5-3,3 Bolt		1	PC
10	210947	MFH-5-3,3 Piston		1	PC
11		SETC3-18X13X1,3-NBR Sealing ring	Not available separately, see position A Grease using during assembly. See position 30	1	PC
12		B-20X1,3-N-NBR70 O-ring ISO3601	Not available separately, see position A Grease using during assembly. See position 30	1	PC
13		MFH-5-3,3 Ring	Not available separately, see position A Grease using during assembly. See position 30	2	PC
14		MFH-5-3,3 Diaphragm	Not available separately, see position A Grease using during assembly. See position 30	2	PC
15	216962	MFH-5-3,3 Insert		1	PC
16		B-16X1-N-NBR70 O-ring ISO3601	Not available separately, see position A Grease using during assembly. See position 30	1	PC
17		B-12X1-N-NBR75 O-ring ISO3601	Not available separately, see position A Grease using during assembly. See position 30	1	PC
18		B-10X1-N-NBR75 O-ring ISO3601	Not available separately, see position A Grease using during assembly. See position 30	1	PC
19	206912	DIN 84-M3X30-5.8 Socket head screw	Tightening torque 1 Nm / 0.7 lbf ft Use locking compound. See position 31	2	PC
20		MFH-5-3,3 Housing	Not available	1	PC
21		MFH-5-3,3 Sealing plate	Not available separately, see position A	1	PC
22	102104	FLP-7-PK-3 Sub-base		1	PC
23	211195	J-5-3,3 Suspended shaft		1	PC
24		MEBH-4/2-QS-4 -SA U-ring	Not available separately, see position A Grease using during assembly. See position 30	1	PC
25	227990	VL -5-3,3 Spring mounting		1	PC
26	227988	VL -5-3,3:KEG Compression spring		1	PC

Pos.	Part no.	Type	Note	Qty.	Unit
27	346321	J-5-3,3 Bolt		1	PC
28		VL-5-3,3 Cover	Not available	1	PC
29		TP2-CK-T-M3X14-10.9 self-tapping screw	Not available Tightening torque 0.7 Nm / 0.5 lbf ft	4	PC
30	397446	LUB-KB2-SILIKONFREI-20ML Lubricating grease		1	PC
31	8181256	CYBERBOND TM44 TB1ML Adhesive bonding agent	Not included in wearing-parts kit	1	PC