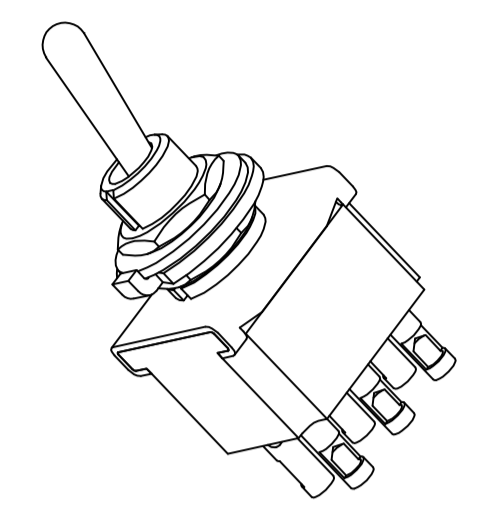
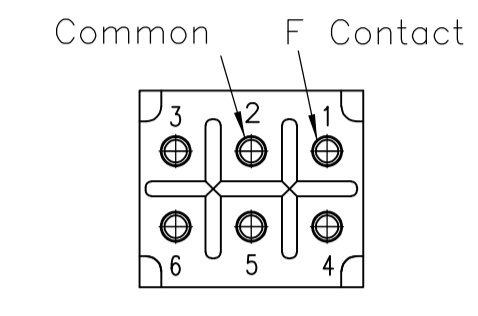
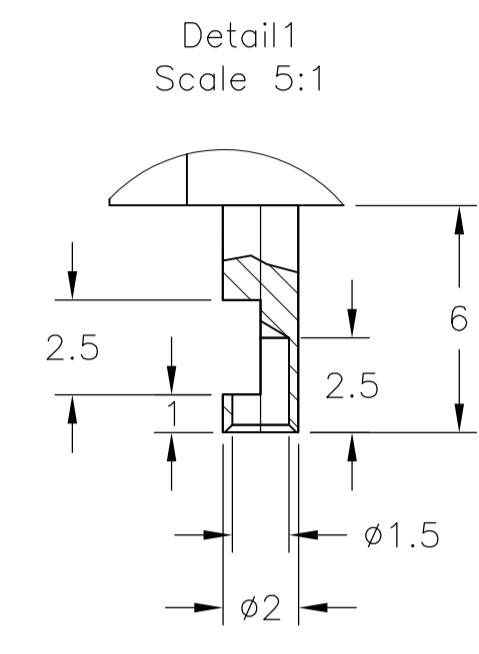


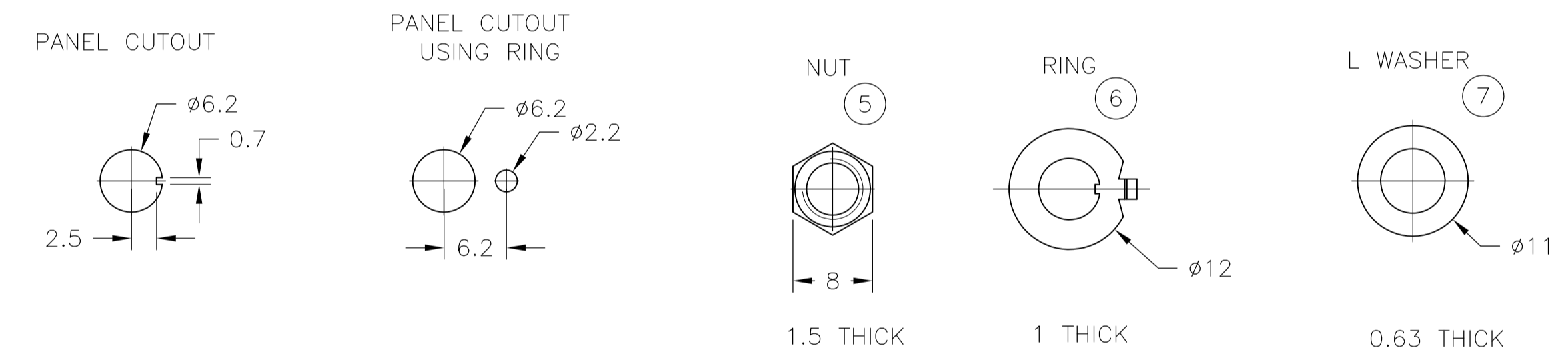
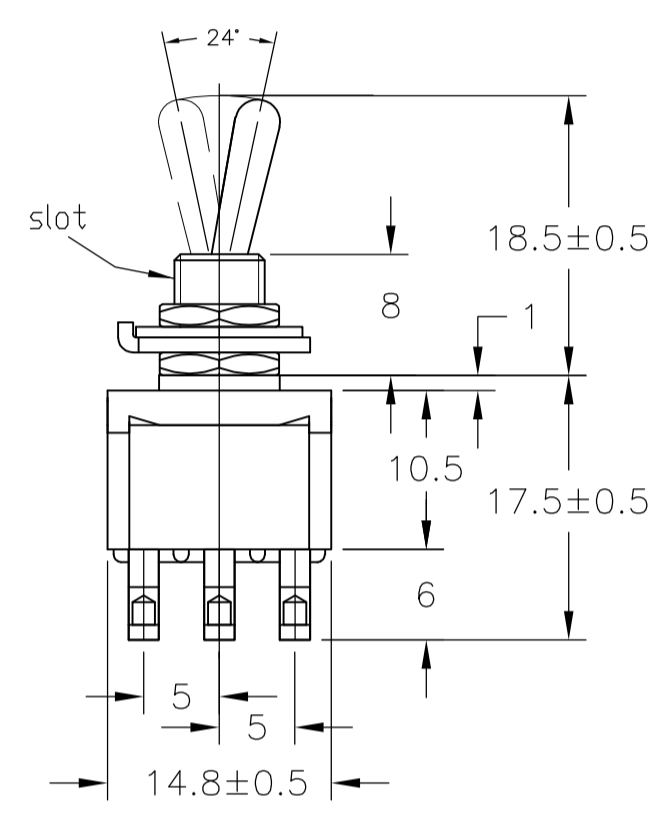
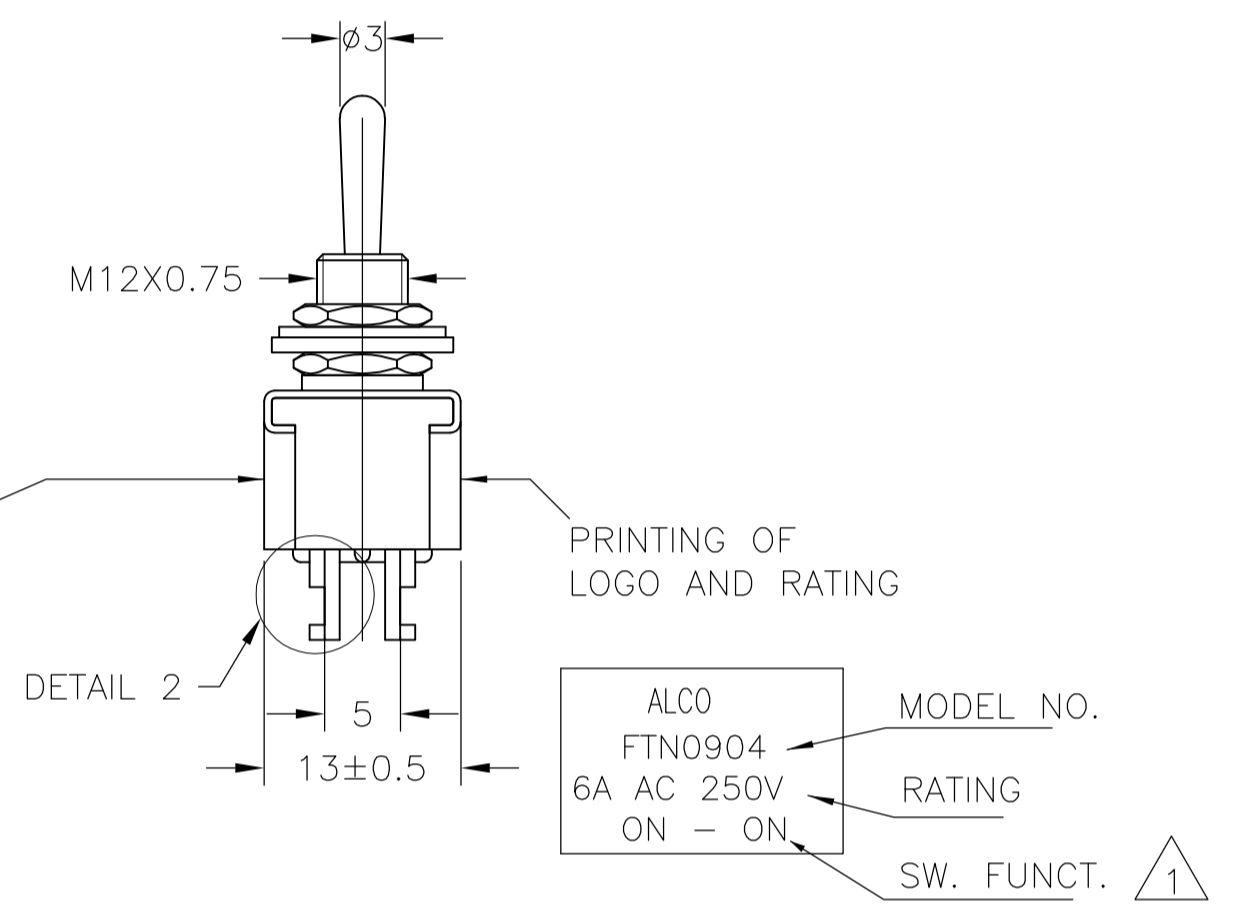
LOC		DIST		REVISIONS		
P	LTR	DESCRIPTION	DATE	DN	APPD	
A1	REVISED	PER ECO-10-014168	02AUG10	HMR	MW	



FUNCTION CHART					
TERMINALS					
		1 AND 2 4 AND 5	1 AND 2 5 AND 6	2 AND 3 4 AND 5	2 AND 3 5 AND 6
TE PN	PART	ON	OFF	ON	ON
4-6437630-5	FTPA0904	ON	NONE		ON
4-6437630-2	FTN0904	ON		NONE	(ON)
4-6437630-4	FTR0904	ON		NONE	(ON)
4-6437630-6	FTP0904	ON		OFF	ON
4-6437630-1	FTT0904	ON		OFF	(ON)
4-6437630-3	FTS0904	(ON)		OFF	(ON)
6-6437630-8	FTN09G04	ON		NONE	ON

(ON): MOMENTARY ACTION
(OFF): MECHANICAL POSITION WITHOUT ELECTRICAL CONNECTION
NONE: NO MECHANICAL POSITION

DATE CODE PRINTING LAST DIGIT OF YEAR
A-L = JANUARY TO DECEMBER DAY



- 1 0.5VA NO SWITCH FUNCTION WILL BE MARKED BUT WILL BE MARKED GOLD CON
- 2 OPERATING TEMPERATURE -20°C TO +70°C
- 3 ALL MATERIALS AND FINISHES COMPLY WITH RoHS DIRECTIVE

CONTACT MATERIAL	COMMON	TE PN	PART	RATING	INITIAL CONTACT RESISTANCE	INSULATION RESISTANCE	DIELECTRIC STRENGTH	ENDURANCE
C3602BD Ep-Cu/Ni3,Au1b	C3602BD Ep-Cu/Ni3,Au1b	6-6437630-8	FTN09G04	20V AC/DC 0.4 VA MAX	MAX 10 MILLIOHMS AT DC 2~4V 0.1A	MIN 1000 M Ohms AT DC 500V	AC 1KV/1 Min (AC 1.2KV/1 SEC)	ELECTRICALLY 50,000 CYCLES AT 20 CYCLES/MIN (RATED LOAD RESISTIVE) MECHANICALLY 100,000 CYCLES AT 20 CYCLES/MIN
99.8% Silver + C3602BD Ep-Cu/Ni3,AuFb	C3602BD Ep-Cu/Ni3,AuFb	4-6437630-5 4-6437630-2 4-6437630-6 4-6437630-3	FTPA0904 FTN0904 FTR0904 FTS0904	AC 125V 6A AC 250V 6A	MAX 10 MILLIOHMS AT DC 2~4V 1A	MIN 1000 M Ohms AT DC 500V	AC 1KV/1 Min (AC 1.2KV/1 SEC)	ELECTRICALLY 50,000 CYCLES AT 20 CYCLES/MIN (RATED LOAD RESISTIVE) MECHANICALLY 100,000 CYCLES AT 20 CYCLES/MIN
		4-6437630-4 4-6437630-1	FTR0904 FTT0904	AC 125V 6A AC 250V 6A	MAX 10 MILLIOHMS AT DC 2~4V 1A	MIN 1000 M Ohms AT DC 500V	AC 1KV/1 Min (AC 1.2KV/1 SEC)	ELECTRICALLY 30,000 CYCLES AT 20 CYCLES/MIN (RATED LOAD RESISTIVE) MECHANICALLY 50,000 CYCLES AT 20 CYCLES/MIN

Ep-Fe/Cu2,Ni4b	SK-5	L WASHER	7
Ep-Fe/Cu2,Ni3b	SPCC	RING	6
Ep-Cu/Ni3b	C3602BD	NUT	5
Ep-Cu/Ni3,Cr1b	C3602BD	ACTUATOR	4
Ep-Cu/Ni3b	C3602BD	BUSHING	3
	SUS	FRAME	2
OPTIONAL DESCRIPTION	POLYESTER RESIN	CASE	1
	MATERIAL/SURFACE	PART NAME	PART NO

PART LIST

DESCRIPTION	QTY	REF	QTY	REF
99.8% Silver + C3602BD Ep-Cu/Ni3,AuFb	1	1	1	1

THIS DRAWING IS A CONTROLLED DOCUMENT.		RAGHAVENDRA 02AUG10		Tyco Electronics Corporation Harrisburg, PA 17105-3608	
DIMENSIONS: mm		TOLERANCES UNLESS OTHERWISE SPECIFIED:		NAME: MICHAEL WILBOURN	
0 PLC ± -		1 PLC ± -		NAME: MICHAEL WILBOURN	
1 PLC ± -		2 PLC ± -		PRODUCT SPEC: -	
2 PLC ± -		3 PLC ± -		APPLICATION SPEC: -	
3 PLC ± -		4 PLC ± -		SIZE: A1	
ANGLES ± -		FINISH: -		SCALE: 1:1	
MATERIAL: -		WEIGHT: -		SHEET: 1 OF 1	
CUSTOMER DRAWING		DRAWING NO: 1968511		REV: A1	